



SECURITY ACCESS PANELS

STANDARD SECURITY ACCESS PANEL

MODEL SSAP

MATERIAL: 12 gauge steel door and frame.

OPTIONS:

Paintable galvanized steel - mill finish.

Stainless steel - satin polish.

HINGE: Concealed continuous piano hinge.

LATCH: Pinned allen head security cam latch.

OPTIONS:

Key operated cylinder lock cam latch.

Key operated cylinder dead bolt lock (right hand standard).

Prep for cylinder lock by others.

Detention lock.

Prep for detention lock by others.

MOUNTING: 1/4" mounting holes in frame.

OPTIONS:

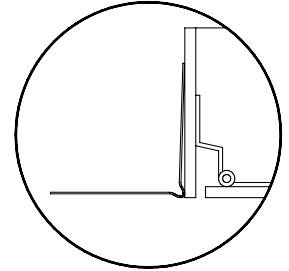
Factory installed masonry anchors.

12 guage sleeve with drywall bead in lieu of flanged frame.

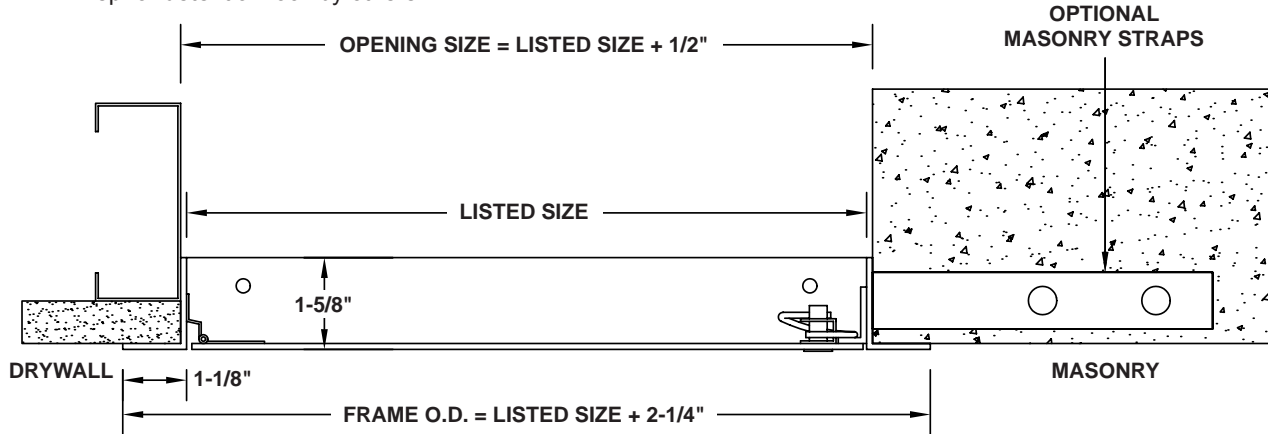
FINISH: Two part polyurethane primer/white finish coat.

OPTION:

Two part polyurethane primer/white finish coat on paintable galvanized steel.



OPTIONAL DRYWALL BEAD DETAIL



PLAN VIEW - RIGHT HAND SHOWN, LEFT OPPOSITE

Qty.	Door Size		Frame O.D.		Wall Opening		No. of Latches	Options	Tag
	Width	Height	Width	Height	Width	Height			
	8	8	10-1/4	10-1/4	8-1/2	8-1/2	1		
	10	10	12-1/4	12-1/4	10-1/2	10-1/2	1		
	12	12	14-1/4	14-1/4	12-1/2	12-1/2	1		
	14	14	16-1/4	16-1/4	14-1/2	14-1/2	1		
	16	16	18-1/4	18-1/4	16-1/2	16-1/2	1		
	18	18	20-1/4	20-1/4	18-1/2	18-1/2	1		
	24	24	26-1/4	26-1/4	24-1/2	24-1/2	4		
	24	36	26-1/4	38-1/4	24-1/2	36-1/2	5		
	24	48	26-1/4	50-1/4	24-1/2	48-1/2	5		
	30	30	32-1/4	32-1/4	30-1/2	30-1/2	5		
	36	36	38-1/4	38-1/4	36-1/2	36-1/2	5		
	36	48	38-1/4	50-1/4	36-1/2	48-1/2	5		

To maintain KEES' policy of continuous product development, we reserve the right to change prices, specifications, ratings and dimensions without notice or obligation.

Project		Location	
Engineer		Dwg. No.	SD-SSAP
Architect		Date	10/14
Contractor			



KEES INCORPORATED
 400 S. Industrial Dr.
 Elkhart Lake, WI 53020
 Phone: (920) 876-3391
 Fax: (920) 876-3065
 Website: www.kees.com



SECURITY ACCESS PANELS

HIGH SECURITY ACCESS PANEL

MODEL HSAP

MATERIAL: 10 gauge steel door,
2" x 2" x 1/8" angle frame
and 1" x 1" x 1/8" angle door stop.

HINGE: 4" x 4" heavy duty butt hinges.

LATCH: Key operated cylinder dead bolt lock.

OPTIONS:

Detention lock.

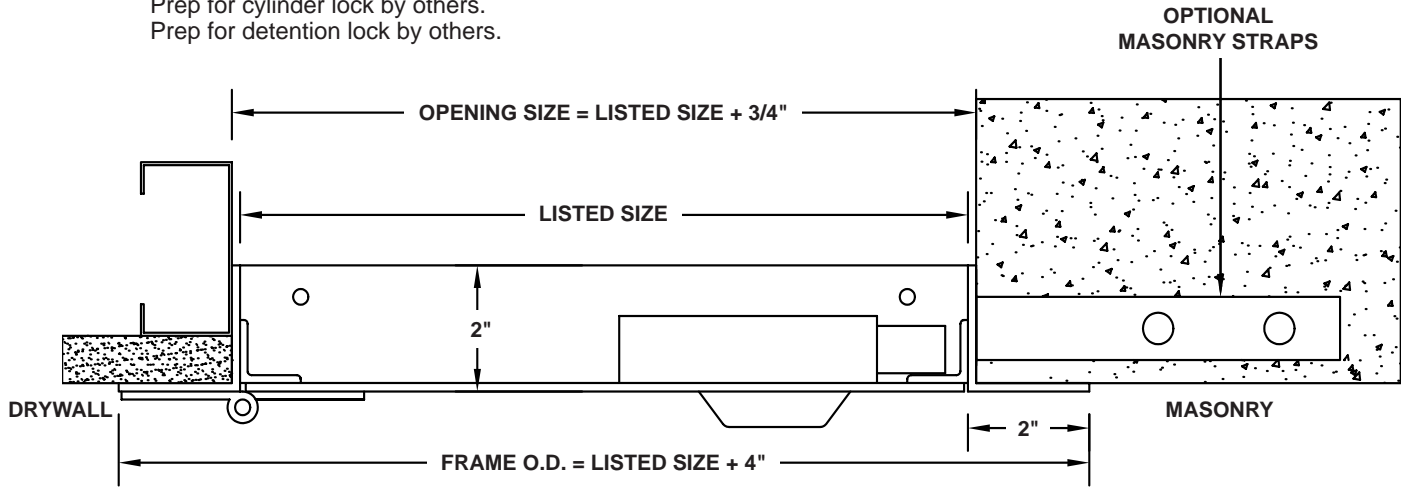
Prep for cylinder lock by others.

Prep for detention lock by others.

MOUNTING: 1/4" mounting holes in frame.

OPTION: Factory installed masonry anchors.

FINISH: Two part polyurethane primer/white finish coat.



PLAN VIEW - RIGHT HAND SHOWN, LEFT OPPOSITE

Qty.	Door Size		Frame O.D.		Wall Opening		Qty. of			Latch Hand	Other Options	Tag
	Width	Height	Width	Height	Width	Height	Hinges	Optional Straps	Latch(es)			
	8	8	12	12	8-3/4	8-3/4	2		1			
	10	10	14	14	10-3/4	10-3/4	2		1			
	12	12	16	16	12-3/4	12-3/4	2		1			
	14	14	18	18	14-3/4	14-3/4	2		1			
	16	16	20	20	16-3/4	16-3/4	2		1			
	18	18	22	22	18-3/4	18-3/4	2		1			
	24	24	28	28	24-3/4	24-3/4	2		1			
	24	36	28	40	24-3/4	36-3/4	2		2			
	24	48	28	52	24-3/4	48-3/4	3		2			
	30	30	34	34	30-3/4	30-3/4	2		2			
	36	36	40	40	36-3/4	36-3/4	2		2			
	36	48	40	52	36-3/4	48-3/4	3		2			

To maintain KEES' policy of continuous product development, we reserve the right to change prices, specifications, ratings and dimensions without notice or obligation.

Project		Location	
Engineer			
Architect		Dwg. No.	SD-HSAP
Contractor		Date	11/14



KEES INCORPORATED
400 S. Industrial Dr.
Elkhart Lake, WI 53020
Phone: (920) 876-3391
Fax: (920) 876-3065
Website: www.kees.com



SECURITY ACCESS PANELS

MAXIMUM SECURITY ACCESS PANEL

MODEL MSAP

MATERIAL: 7 gauge steel door,
2" x 3" x 3/16" angle frame
and 1" x 1" x 1/8" angle door stop.

HINGE: 4" x 4" heavy duty butt hinges.

LATCH: Key operated cylinder dead bolt lock.

OPTIONS:

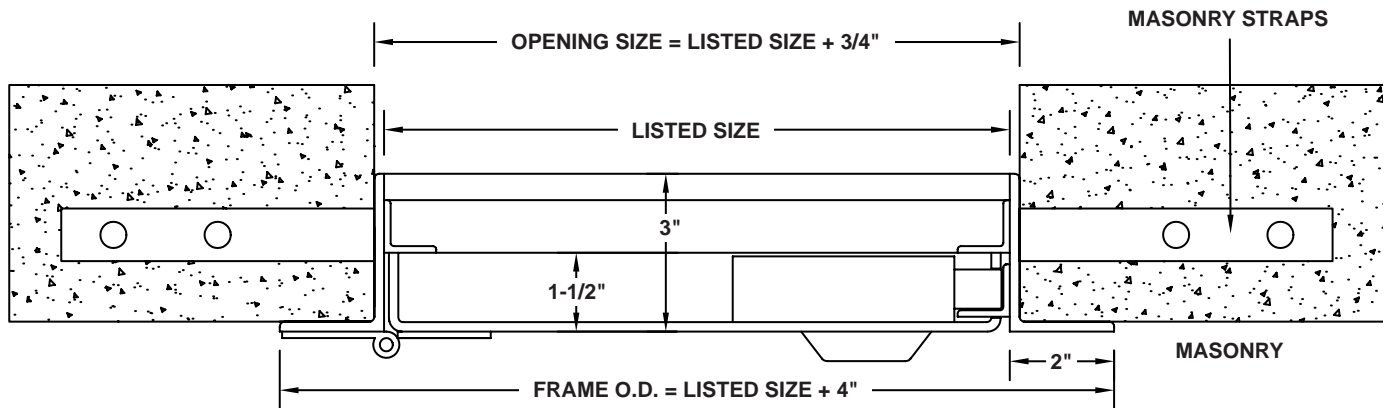
Detention lock.

Prep for cylinder lock by others.

Prep for detention lock by others.

MOUNTING: Factory installed masonry anchors.

FINISH: Two part polyurethane primer/white finish coat.



PLAN VIEW - RIGHT HAND SHOWN, LEFT OPPOSITE

Qty.	Door Size		Frame O.D.		Wall Opening		Qty. of			Latch Hand	Options	Tag
	Width	Height	Width	Height	Width	Height	Hinges	Straps	Latch(es)			
	8	8	12	12	8-3/4	8-3/4	2	4	1			
	10	10	14	14	10-3/4	10-3/4	2	4	1			
	12	12	16	16	12-3/4	12-3/4	2	4	1			
	14	14	18	18	14-3/4	14-3/4	2	4	1			
	16	16	20	20	16-3/4	16-3/4	2	4	1			
	18	18	22	22	18-3/4	18-3/4	2	4	1			
	24	24	28	28	24-3/4	24-3/4	2	4	1			
	24	36	28	40	24-3/4	36-3/4	2	6	2			
	24	48	28	52	24-3/4	48-3/4	3	6	2			
	30	30	34	34	30-3/4	30-3/4	2	4	2			
	36	36	40	40	36-3/4	36-3/4	2	8	2			
	36	48	40	52	36-3/4	48-3/4	3	8	2			

To maintain KEES' policy of continuous product development, we reserve the right to change prices, specifications, ratings and dimensions without notice or obligation.

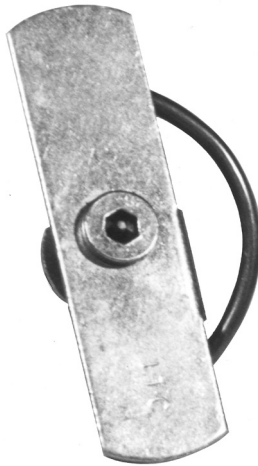
Project		Location	
Engineer			
Architect		Dwg. No.	SD-MSAP
Contractor		Date	11/14



KEES INCORPORATED
400 S. Industrial Dr.
Elkhart Lake, WI 53020
Phone: (920) 876-3391
Fax: (920) 876-3065
Website: www.kees.com



TYPES OF LATCHES FOR SECURITY ACCESS PANELS



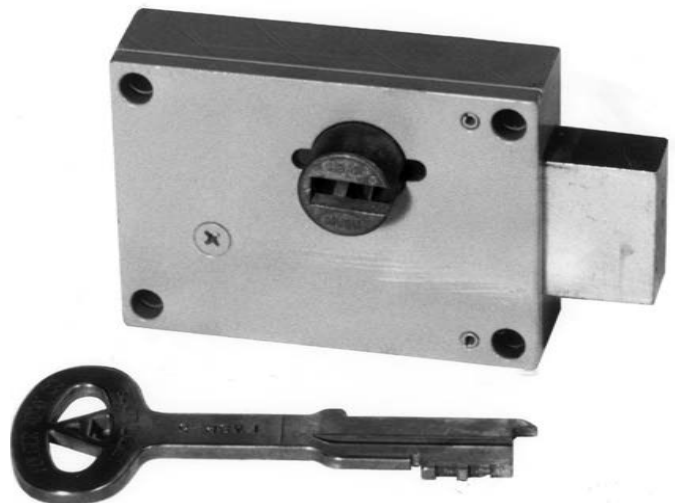
Security Cam Latches



Cylinder Lock Cam Latches



Cylinder Lock Or
Prep For Lock By Others



Detention Lock Or
Prep For Lock By Others