



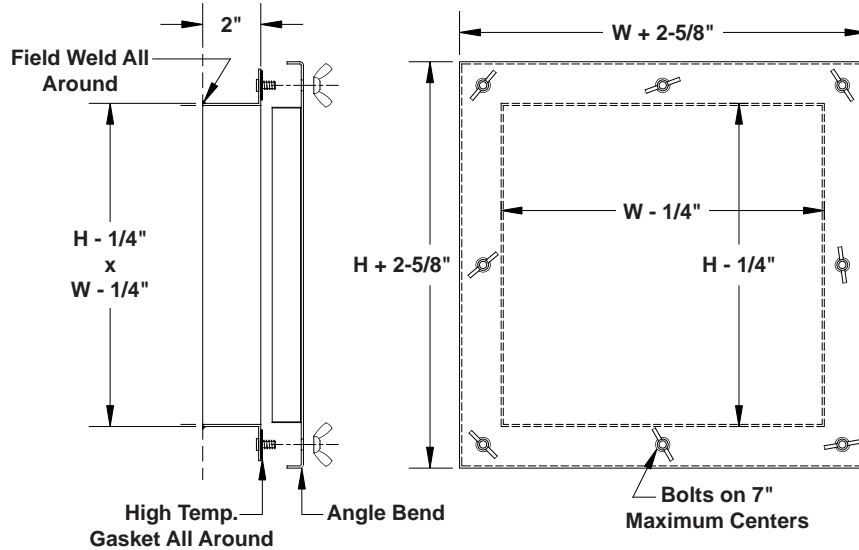
KITCHEN EXHAUST DUCT ACCESS DOORS

Features:

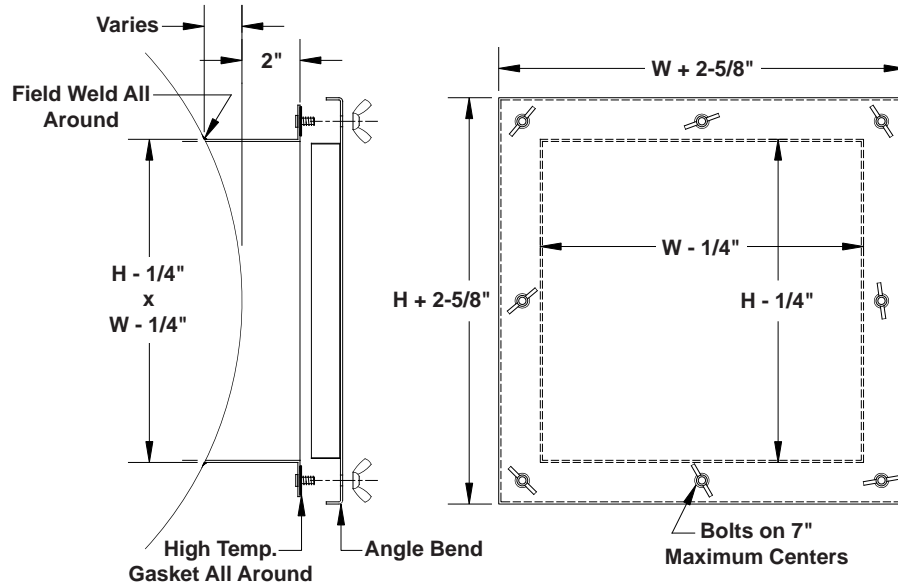
- 14 GA. Welded Galvanized Steel Construction (Electro-Galvanized Frame, Galvanized Cover)
- Optional 14 GA. 304 S.S. Construction
- Finish - Mill
- Meets NFPA-96 Requirements For Use In Side Or Top Of Duct



MODEL KEDA-A - SIDE/TOP OF DUCT INSTALLATION



MODEL KEDA-R - SIDE/TOP OF ROUND DUCT INSTALLATION



Qty.	Model		W	H	Duct Dia. for KEDA-R only	Material		Finish	Options	Tag
	A	R				Galv. Steel	S.S.			

To maintain KEES' policy of continuous product development, we reserve the right to change prices, specifications, ratings and dimensions without notice or obligation.

Project				Location		
Engineer				Dwg. No.	SD-KEDA	KEES INCORPORATED 400 S. Industrial Dr. Elkhart Lake, WI 53020 Phone: (920) 876-3391 Fax: (920) 876-3065 Website: www.kees.com
Architect				Date	03/16	
Contractor						