



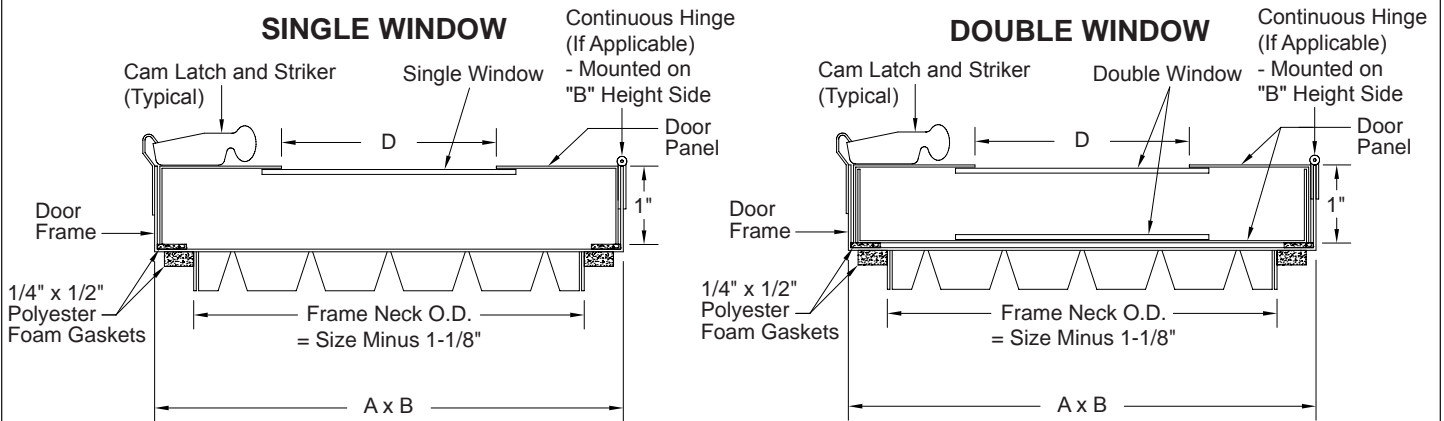
DUCT ACCESS DOORS WITH VIEW-PORTS

Quantity						Window		Standard Sizes				Round Glass Size D	No. of Cams				Option(s)
Cammed			Hinged			Type	Single or Double	Door Size	Dim. A Width	Dim. B Height	Frame Neck O.D.		C, C-F	H, H-F	CD-HP	HD-HP	
C	C-HP	C-F	H	H-HP	H-F												
								6 x 6	6	6	4-7/8" x 4-7/8"	2-3/4"	2	1	4	3	
								8 x 8	8	8	6-7/8" x 6-7/8"	4-3/4"	2	1	4	3	
								10 x 10	10	10	8-7/8" x 8-7/8"	4-3/4"	2	1	4	3	
								12 x 12	12	12	10-7/8" x 10-7/8"	6-3/4"	2	1	4	3	
								14 x 14	14	14	12-7/8" x 12-7/8"	6-3/4"	2	1	4	3	
								16 x 16	16	16	14-7/8" x 14-7/8"	6-3/4"	4	2	8	6	
								18 x 18	18	18	16-7/8" x 16-7/8"	6-3/4"	4	2	8	6	
								20 x 20	20	20	18-7/8" x 18-7/8"	6-3/4"	4	2	8	6	
								24 x 24	24	24	22-7/8" x 22-7/8"	6-3/4"	4	2	8	6	

MODEL # C S - P (-F)(-HP)

C = Cam
 H = Hinged
 S = Single Wall Window
 Standard Pressure Door Only.
 D = Double Wall Window
 Standard or High Pressure Door.
 P = Plexiglass
 L = Lexan
 G = Laminated Safety Glass

Add only if high pressure door.
 (comes with neoprene gasket)
 Add only if with adapter for use in fiberboard ductwork.
 Refer to submittal for duct access doors for fiberglass ductwork.



SPECIFICATIONS: • DOOR PANEL: 24 ga. galvanized steel • FRAME: 22 ga. galvanized steel

OPTIONAL CONSTRUCTION: • .032" aluminum with aluminum hinge and/or plated steel cams & strikers.
 • 24 gauge stainless steel with stainless steel hinge and/or cams & strikers.
 • Insulation in double wall doors 10" x 10" and smaller.

OTHER OPTIONS: • Chain (C only) • Cylinder cam lock (H only) • Hasp (H only) • Padlock eyes (H only)

Double window doors 12" x 12" and larger are insulated with 1" thick rigid fiberglass. Standard pressure construction to 4.5" S.P.. High pressure construction to 10" W.G. (with 1/4" x 1/2" sealed cell neoprene gasket).

To maintain KEES' policy of continuous product development, we reserve the right to change prices, specifications, ratings and dimensions without notice or obligation.

Project		Location	
Engineer			
Architect		Dwg. No.	SD-CH
Contractor		Date	03/16

KEES INCORPORATED
 400 S. Industrial Dr.
 Elkhart Lake, WI 53020
 Phone: (920) 876-3391
 Fax: (920) 876-3065
 Website: www.kees.com