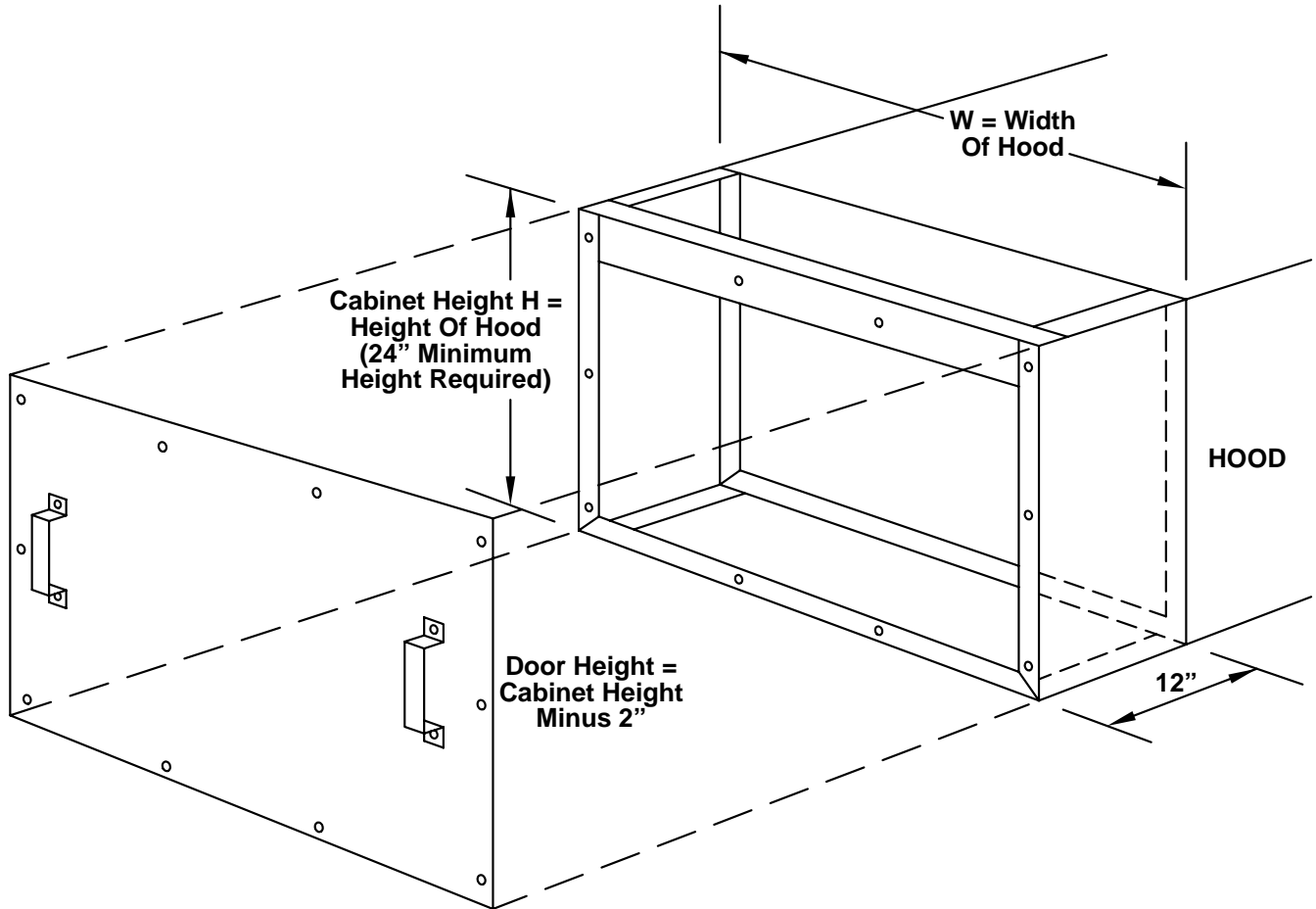


# OPTIONAL CABINET FOR FIRE PROTECTION OR CONTROLS

- 18 GA. 304 STAINLESS STEEL CONSTRUCTION -

- FACTORY ATTACHED TO HOOD -



Removable Cover Held In Place  
With Stainless Steel Screws 10" O.C.



To maintain our policy of continuous product development, we reserve the right to change prices, specifications, ratings and dimensions without notice or obligation.

<b>Project</b>		<b>Location</b>	
<b>Engineer</b>			
<b>Architect</b>		<b>Dwg. No.</b>	<b>SD-CAB</b>
<b>Contractor</b>		<b>Date</b>	<b>12/17</b>



**KEES INCORPORATED**  
400 S. Industrial Dr.  
Elkhart Lake, WI 53020  
Phone: (920) 876-3391  
Fax: (920) 876-3065  
Website: www.kees.com