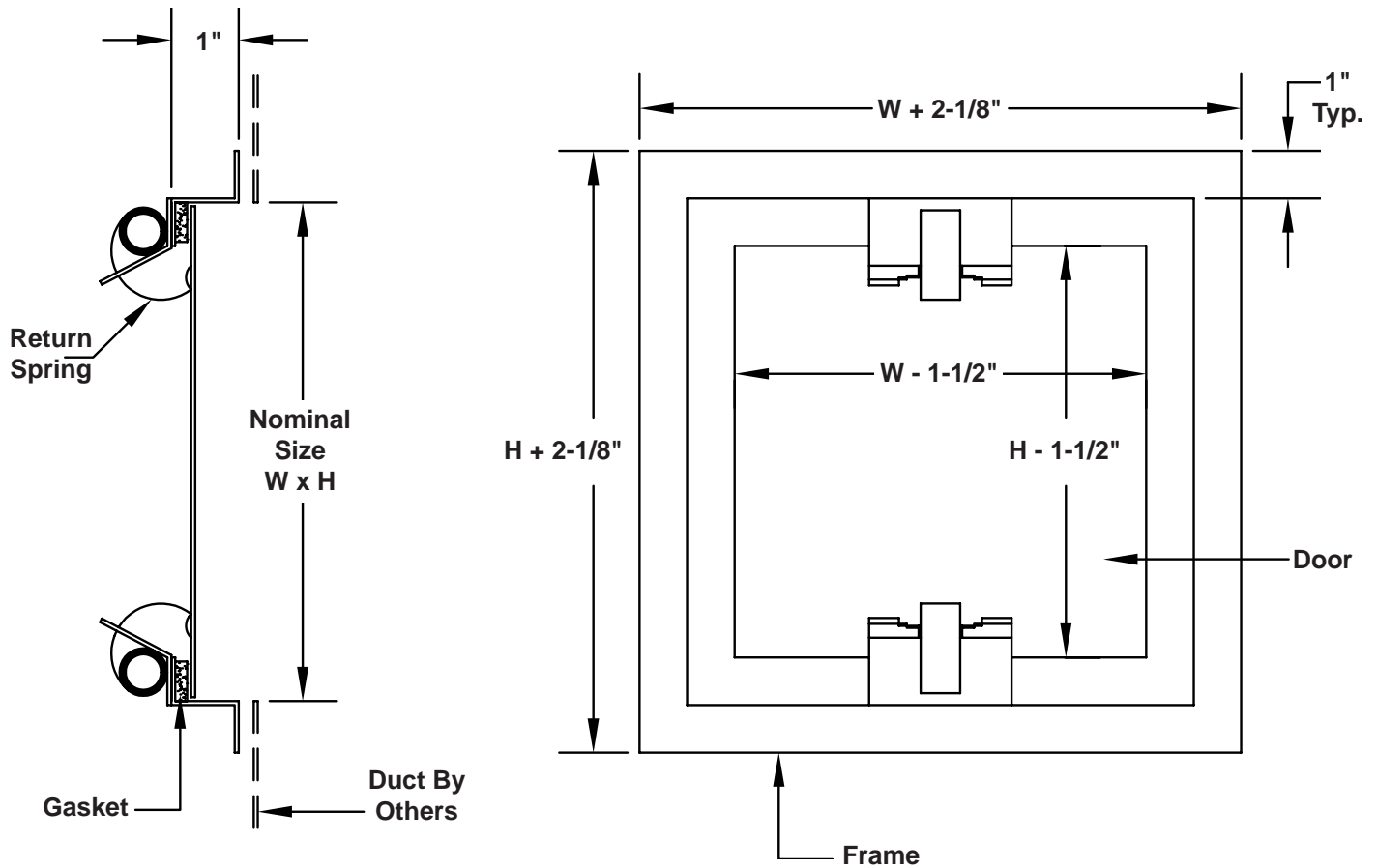




MODEL ARD

ACCESS DOOR FOR POSITIVE PRESSURE DUCTS (Relief On Negative Pressure) Standard Construction To 12" S.P.



QTY.	DOOR SIZE		No. of Springs
	Width	Height	
	6	10	2
	8	8	2
	10	10	2
	12	12	4
	14	14	4
	18	18	4

FEATURES:

- Provides access for inspection / resetting of fire dampers.
- 16 gauge galvanized steel construction.
- Positive duct pressure provides seal between door and frame.
- Install on downstream side of dampers in positive pressure duct for negative pressure relief to prevent duct collapse due to accidental closing of fire dampers during system operation.
- Relieves at approximately 1 to 1.5 IWG negative duct pressure when installed in a vertical orientation. Relief pressure is **NOT** adjustable. Not intended for installation on top or bottom of duct.
- Auto door return.
- Available options include Lexan window or double wall insulated door.

To maintain KEES' policy of continuous product development, we reserve the right to change prices, specifications, ratings and dimensions without notice or obligation.

Project		Location	
Engineer			
Architect		Dwg. No.	SD-ARD
Contractor		Date	02/16



KEES INCORPORATED
400 S. Industrial Dr.
Elkhart Lake, WI 53020
Phone: (920) 876-3391
Fax: (920) 876-3065
Website: www.kees.com