



U.L. FIRE RATED ACCESS PANELS

AP-FR SERIES FIRE RATED ACCESS PANELS

Product

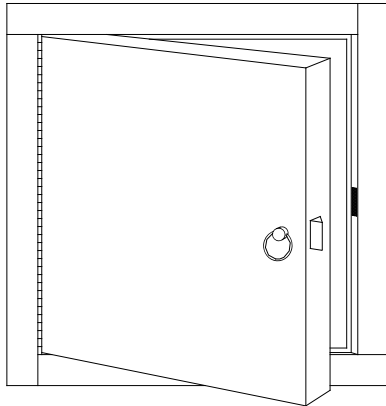
Fire rated access panel offers key lock or turn ring, continuous hinge, and quality appearance. This product meets the requirements of the International Building Code and is intended to be installed in accordance with NFPA 80.

1. Underwriters Laboratories 1-1/2 hour "B" label (File # R13067-1) for use in 2 hour rated vertical fire barrier or in walls (48" x 48" maximum door size). Tested in accordance with Standard UL10B.

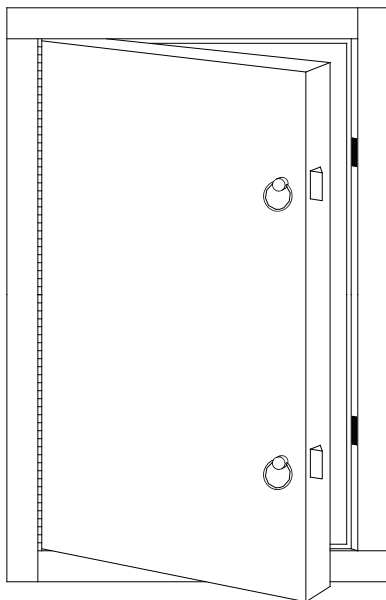
Warnock Hersey 3 hour rating for use in non-combustible ceilings, 1 hour rating for use in combustible ceilings (24" x 36" maximum door size). Tested in accordance with UL10B.

Warnock Hersey 1-1/2 hour label for use in wall (48" x 48" maximum door size). Tested in accordance with Standard UL10B.

2. Latch bolt is operated with either a key or turn ring which screws into the key slot for keyless operation (both are provided with door).
3. White powder coat finish - Providing a smooth base for finished painting or covering.
4. Provided with screw holes and masonry anchors to facilitate installation in walls or ceilings.
5. Automatic Closing - Spring closer on all size panels assures positive latching as panel closes.
6. 1 - Latch on panels thru 22" x 22" and on 24" x 24" panel.
2 - Latches on panels over 22" x 30" except for 24" x 24" panel.



Single Latch



Double Latch

KEES STOCK SIZES					OTHER SIZES
8 x 8	14 x 14	22 x 22	24 x 24	24 x 48	SEE REVERSE SIDE
10 x 10	16 x 16	22 x 30	24 x 30	30 x 30	
12 x 12	18 x 18	22 x 36	24 x 36	36 x 48	



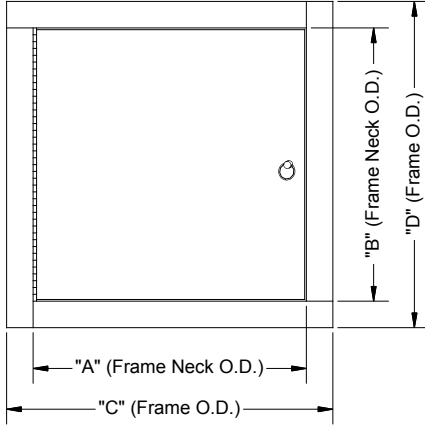
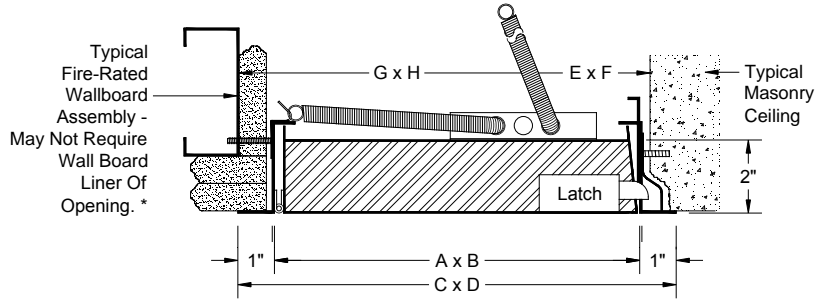
FIRE RATED ACCESS PANELS - MODEL AP-FR

U.L. 1-1/2 hour "B" label for use in 2 hour rated vertical fire barrier or in walls (48" x 48" maximum door size).
Warnock Hersey 3 hour rating for use in non-combustible ceilings, 1 hour rating for use in combustible ceilings
(24" x 36" maximum door size).

Warnock Hersey 1-1/2 hour label for use in wall (48" x 48" maximum door size).

CEILING INSTALLATION (Side View)

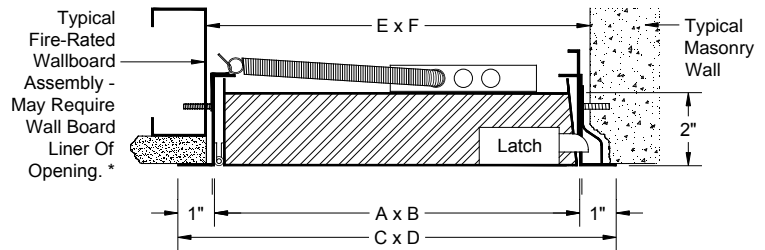
Use "E x F" Dimensions For Stud To Stud Or Masonry Installation Without Wallboard Liner,
Use "G x H" Dimensions For 5/8" Wallboard Liner Of Opening On 4 Sides



Latch mechanism uses either a key or turn ring which screws into the key slot for keyless operation (both are provided with door).

WALL INSTALLATION (Top View)

1-1/2 Hour U.L. "B" Label In a 2 Hour Fire Barrier
Use "E x F" Dimensions For Installation Without Wallboard Liner,
Use "G x H" Dimensions For 5/8" Wallboard Liner Of Opening On 4 Sides



* Consult local code requirements for wall board requirements.

Qty.	Size	Door Size Nominal Size		Frame Outside Dimension		Unlined Opening Dimension		Lined Opening Dimension**		No. of Latches	Construction Details
		A	B	C	D	E	F	G	H		
	8 x 8	8	8	10	10	8-3/8	8-3/8	9-5/8	9-5/8	1	
	10 x 10	10	10	12	12	10-3/8	10-3/8	11-5/8	11-5/8	1	Hinge always furnished on height "B" dimension.
	12 x 12	12	12	14	14	12-3/8	12-3/8	13-5/8	13-5/8	1	
	12 x 18	12	18	14	20	12-3/8	18-3/8	13-5/8	19-5/8	1	
	12 x 24	12	24	14	26	12-3/8	24-3/8	13-5/8	25-5/8	1	
	14 x 14	14	14	16	16	14-3/8	14-3/8	15-5/8	15-5/8	1	
	16 x 16	16	16	18	18	16-3/8	16-3/8	17-5/8	17-5/8	1	
	18 x 18	18	18	20	20	18-3/8	18-3/8	19-5/8	19-5/8	1	
	18 x 24	18	24	20	26	18-3/8	24-3/8	19-5/8	25-5/8	1	
	20 x 30	20	30	22	32	20-3/8	30-3/8	21-5/8	31-5/8	1	
	22 x 22	22	22	24	24	22-3/8	22-3/8	23-5/8	23-5/8	1	
	22 x 30	22	30	24	32	22-3/8	30-3/8	23-5/8	31-5/8	1	
	22 x 36	22	36	24	38	22-3/8	36-3/8	23-5/8	37-5/8	2	
	24 x 24	24	24	26	26	24-3/8	24-3/8	25-5/8	25-5/8	1	
	24 x 30	24	30	26	32	24-3/8	30-3/8	25-5/8	31-5/8	2	
	24 x 36	24	36	26	38	24-3/8	36-3/8	25-5/8	37-5/8	2	
	24 x 48	24	48	26	50	24-3/8	48-3/8	25-5/8	49-5/8	2	
	30 x 30	30	30	32	32	30-3/8	30-3/8	31-5/8	31-5/8	2	
	30 x 36	30	36	32	38	30-3/8	36-3/8	31-5/8	37-5/8	2	
	32 x 32	32	32	34	34	32-3/8	32-3/8	33-5/8	33-5/8	2	
	36 x 36	36	36	38	38	36-3/8	36-3/8	37-5/8	37-5/8	2	
	36 x 48	36	48	38	50	36-3/8	48-3/8	37-5/8	49-5/8	2	
	48 x 48	48	48	50	50	48-3/8	48-3/8	49-5/8	49-5/8	2	

FRAME
16 ga. steel

DOOR PANEL
20 ga. steel

LATCHES
Universal turn ring & key lock
Work from inside and outside

INSULATION
Fire retardant

HINGE
Continuous steel

FINISH
White powder coat paint

MOUNTING
Fastener holes and masonry anchor straps provided

**Based on 5/8" wallboard; adjust as necessary for other thicknesses.

ALL OTHER SIZES AVAILABLE IF LESS THAN 48" x 48"

To maintain KEES' policy of continuous product development, we reserve the right to change prices, specifications, ratings and dimensions without notice or obligation.

Project		Location	
Engineer			
Architect		Dwg. No.	SD-APR
Contractor		Date	11/17



KEES INCORPORATED
400 S. Industrial Dr.
Elkhart Lake, WI 53020
Phone: (920) 876-3391
Fax: (920) 876-3065
Website: www.kees.com