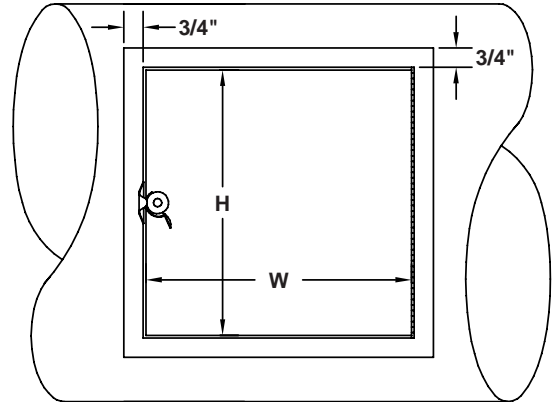
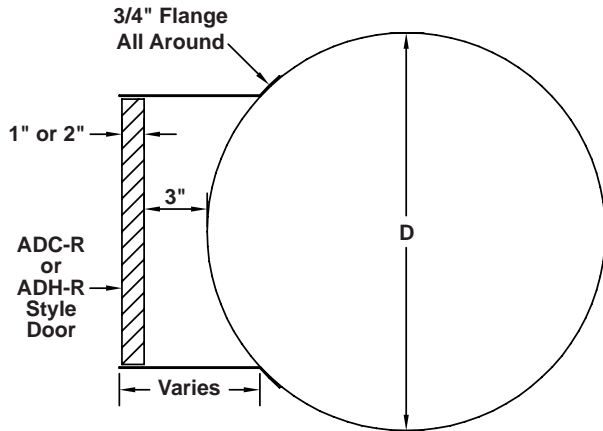
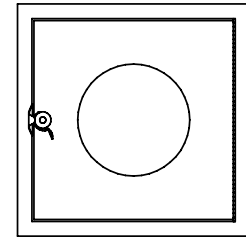
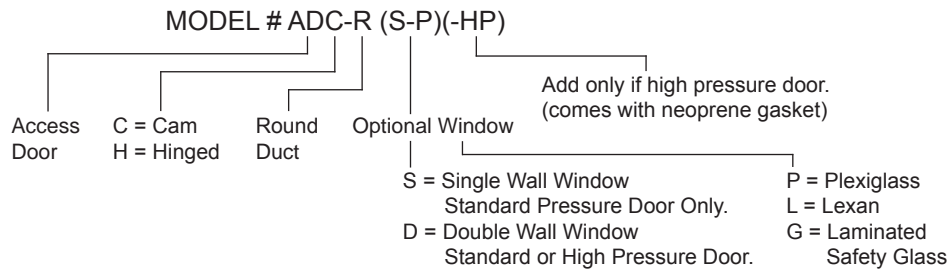




ACCESS DOORS FOR ROUND OR OVAL DUCT WORK



ADH-R SHOWN ABOVE



SHOWN WITH
OPTIONAL WINDOW

SPECIFICATIONS: 18 ga. galvanized steel - all welded construction. Door is double wall, insulated, of 24 ga. galvanized having cams and hinge, or double cams. Insulation is 1" or 2" fiberglass. (Double wall look thru doors are insulated on door sizes 12" x 12" and larger.) Window sizes 2-3/4" diameter on 6" x 6", 4-3/4" diameter on 8" x 8" and 10" x 10", 6-3/4" diameter on 12" x 12" and larger doors. Standard pressure units rated to 4-1/2" W.G. (with 1/4" x 1/2" polyester foam gaskets). High pressure units rated to 10" W.G. (with 1/4" x 1/2" sealed cell neoprene gasket).

OPTIONAL CONSTRUCTION: Aluminum with plated steel cams. Stainless steel with stainless steel cams.

OTHER OPTIONS: • Chain (ADC only) • Cylinder cam lock (1" - ADH only) • Hasp (ADH only) • Padlock eyes (AD-H only)

Qty.	Door Size W x H	ADC-R Cammed Door	ADH-R Hinged Door	ADC-R-HP Cammed High Pressure Door	ADH-R-HP Hinged High Pressure Door	Door Insulation		Optional Window Type				Duct Diameter "D"	S.P. in H ₂ O	Option(s) or Special
						1"	2"	Plexiglass "P"	Lexan "L"	Laminated Safety Glass "G"	Single or Double			

To maintain KEES' policy of continuous product development, we reserve the right to change prices, specifications, ratings and dimensions without notice or obligation.

Project		Location	
Engineer		Dwg. No.	SD-AD-R
Architect		Date	04/17
Contractor			



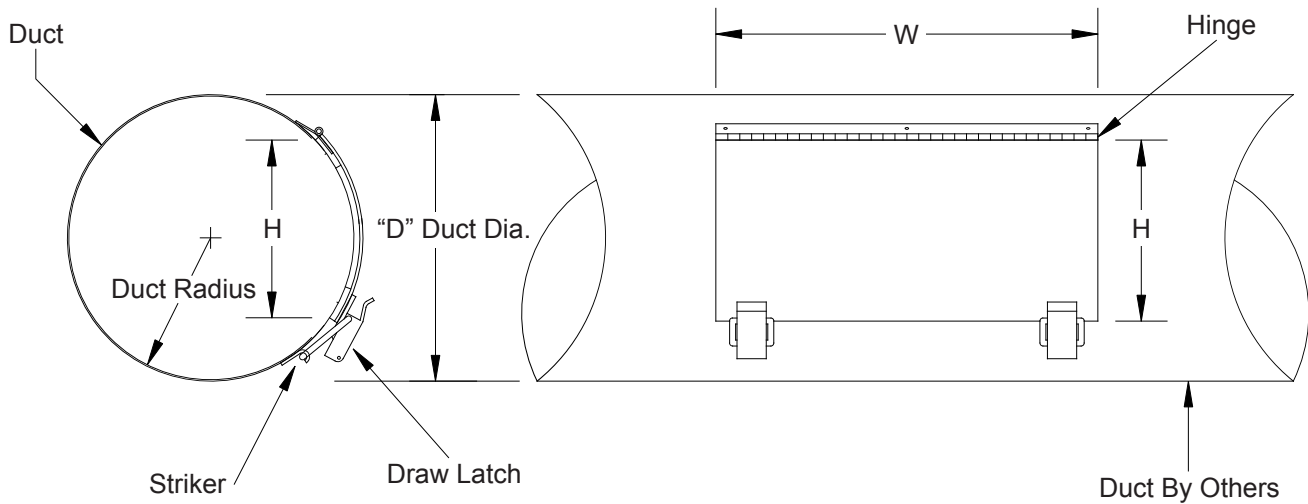
KEES INCORPORATED
400 S. Industrial Dr.
Elkhart Lake, WI 53020
Phone: (920) 876-3391
Fax: (920) 876-3065
Website: www.kees.com



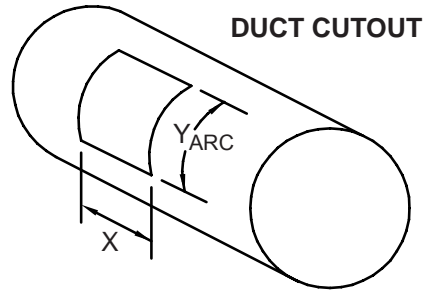
MODEL ADL-R ACCESS DOORS

ROUND DUCT • HINGED

POSITIVE / NEGATIVE PRESSURES TO 6" W.G.



QTY.	DUCT DIA. "D"	W	H	CUT-OUT SIZE	
				X	Y ARC
	4"	8"	4-3/16"	6"	3-1/16"
	5"	8"	4-5/8"	6"	3-1/16"
	6"	9"	5-5/8"	7"	4-5/16"
	7"	10"	6-9/16"	8"	5-9/16"
	8"	11"	7-1/2"	9"	6-13/16"
	9"	12"	8-1/4"	10"	7-9/16"
	10"	13"	9-1/2"	11"	9-7/16"
	12"	15"	10-9/16"	13"	10-3/16"
	14"	17"	12-9/16"	15"	12-11/16"
	16"	17"	12-11/16"	15"	12"
	18"	19"	14-5/8"	17"	14-7/16"
	20"	19"	16-5/8"	17"	16-15/16"
	24"	19"	16-3/4"	17"	16"
	26"	21"	17-13/16"	19"	17"
	28"	21"	18-7/16"	19"	17-1/2"
	30"	24"	21-15/16"	22"	22"
	32"	24"	22-1/4"	22"	22"
	34"	24"	22-1/2"	22"	22"
	36"	24"	22-11/16"	22"	22"



FEATURES:

- Pressures to 6" W.G.. (Pressure tested on spiral duct with .090" high ribs and smooth duct.)
- 16 GA. galvanized access door
- Steel, plated "piano" style hinge, pre-punched for attachment
- Zinc plated steel draw latch and keeper
- 1/4" closed cell neoprene gasketing on four sides
- Other sizes available
- Optional all 304 stainless steel construction
- Optional aluminum construction with plated steel latches

NOTE: W x H is door size, not duct cutout size.

To maintain KEES' policy of continuous product development, we reserve the right to change prices, specifications, ratings and dimensions without notice or obligation.

Project		Location	
Engineer			
Architect		Dwg. No.	SD-ADL-R
Contractor		Date	04/17



KEES INCORPORATED
 400 S. Industrial Dr.
 Elkhart Lake, WI 53020
 Phone: (920) 876-3391
 Fax: (920) 876-3065
 Website: www.kees.com