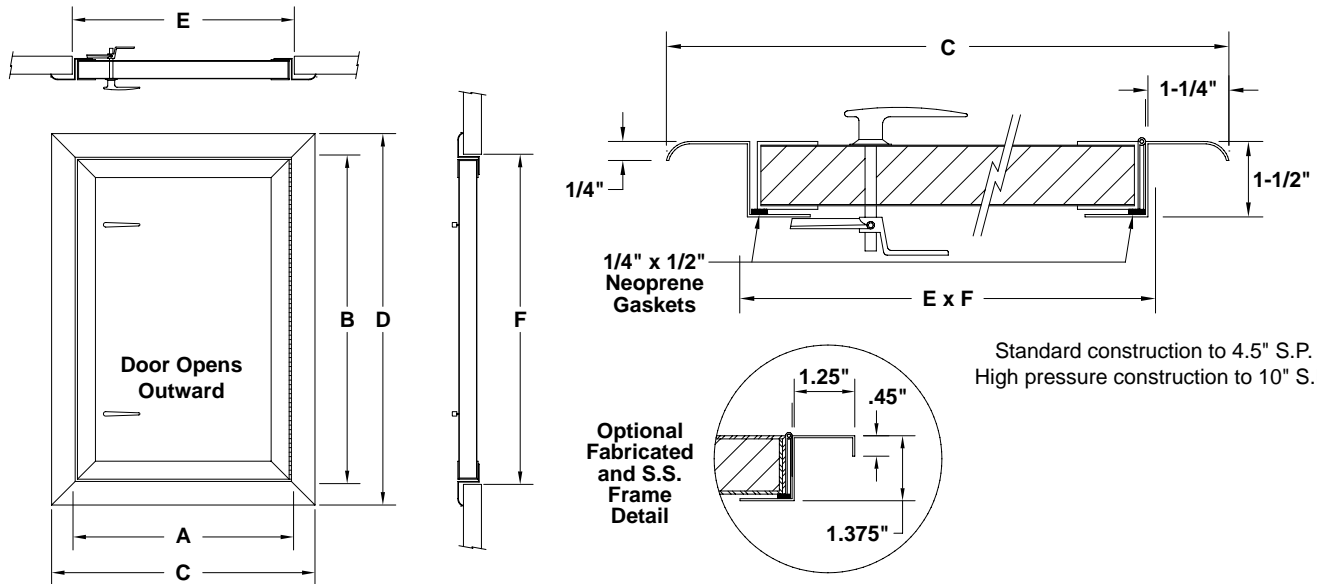


Model AD-K shown



Minimum Clear Opening Dimensions = Frame Neck O.D. Minus 2.125"

Qty.	Model	Size	Frame Neck O.D. Nominal Size		Frame Outside Dimension		Duct Opening Dimension		No. of Latches	High Pressure No. of Latches	Opt. Window Door Hinging *		Construction Details
			A	B	C	D	E	F			Right	Left	
		18 x 36	18	36	20-1/2	38-1/2	18-1/4	36-1/4	2	2			Hinge always furnished on height "B" dimension. FLANGED FRAME .060 - 6063 extruded aluminum. DOOR PANEL FRAME .060 - 6063 extruded aluminum. DOOR PANEL 24 ga. galvanized steel. HANDLES Work from inside and outside. INSULATION 1 in. fiberglass. GASKET Closed cell neoprene gasket. HINGE Continuous steel - zinc-plated riveted to frame and door. OPT. PLEXIGLASS VIEW-PORT 6-3/4" round double pane (Models ADG-K or ADG-K-HP). * Advise if hinge is on left or right side, facing door from outside. OPT. FABRICATED FRAME 14 ga. galvanized steel. OPTIONAL S.S. CONSTRUCTION Stainless steel door, frame and hinge. Ventlok handle standard. <input type="checkbox"/> S.S. "T" handle optional. <input type="checkbox"/> OPT. ALL ALUM. CONSTRUCTION Standard construction with aluminum door panel and hinge. Optional high pressure Models AD-K-HP, ADG-K-HP have caulked joints. ** Use AD2-K-HP, 2" style doors provided with 14 ga. fabricated frame. All materials are mill finish.
		18 x 48	18	48	20-1/2	50-1/2	18-1/4	48-1/4	2	3			
		18 x 54	18	54	20-1/2	56-1/2	18-1/4	54-1/4	3	3			
		18 x 60	18	60	20-1/2	62-1/2	18-1/4	60-1/4	3	3			
		18 x 72	18	72	20-1/2	74-1/2	18-1/4	72-1/4	3	3			
		18 x 84	18	84	20-1/2	86-1/2	18-1/4	84-1/4	3	3			
		18 x 96	18	96	20-1/2	98-1/2	18-1/4	96-1/4	3	3			
		24 x 36	24	36	26-1/2	38-1/2	24-1/4	36-1/4	2	4			
		24 x 48	24	48	26-1/2	50-1/2	24-1/4	48-1/4	2	5			
		24 x 54	24	54	26-1/2	56-1/2	24-1/4	54-1/4	3	5			
		24 x 60	24	60	26-1/2	62-1/2	24-1/4	60-1/4	3	5			
		24 x 72	24	72	26-1/2	74-1/2	24-1/4	72-1/4	3	5			
		24 x 84	24	84	26-1/2	86-1/2	24-1/4	84-1/4	3	5			
		24 x 96	24	96	26-1/2	98-1/2	24-1/4	96-1/4	3	5			
		30 x 60	30	60	32-1/2	62-1/2	30-1/4	60-1/4	5	5			
		30 x 72	30	72	32-1/2	74-1/2	30-1/4	72-1/4	5	5			
		30 x 84	30	84	32-1/2	86-1/2	30-1/4	84-1/4	5	** 5			
		30 x 96	30	96	32-1/2	98-1/2	30-1/4	96-1/4	5	** 5			
		36 x 60	36	60	38-1/2	62-1/2	36-1/4	60-1/4	5	5			
		36 x 72	36	72	38-1/2	74-1/2	36-1/4	72-1/4	5	5			
		36 x 84	36	84	38-1/2	86-1/2	36-1/4	84-1/4	5	** 5			
		36 x 96	36	96	38-1/2	98-1/2	36-1/4	96-1/4	5	** 5			

To maintain KEES' policy of continuous product development, we reserve the right to change prices, specifications, ratings and dimensions without notice or obligation.

Project		Location	
Engineer			
Architect		Dwg. No.	SD-ADK
Contractor		Date	09/17

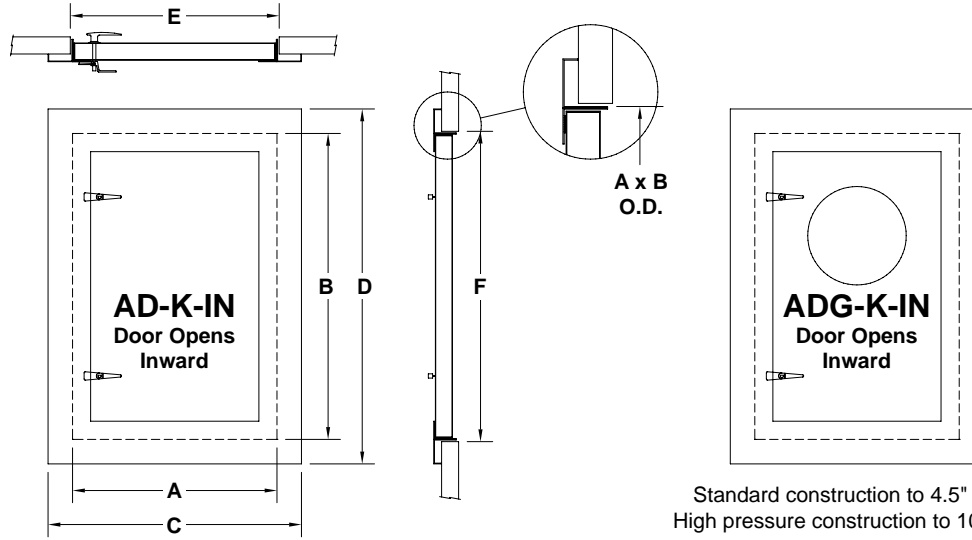


KEES INCORPORATED
 400 S. Industrial Dr.
 Elkhart Lake, WI 53020
 Phone: (920) 876-3391
 Fax: (920) 876-3065
 Website: www.kees.com



WALK-IN STYLE ACCESS DOORS

MODEL AD-K-IN



Standard construction to 4.5" S.P.
High pressure construction to 10" S.P.

Minimum Clear Opening Dimensions = Frame Neck O.D. Minus 2.125"

Qty.	Model	Size	Frame Neck O.D. Nominal Size		Frame Outside Dimension		Duct Opening Dimension		No. of Latches	High Pressure No. of Latches	Opt. Window Door Hinging *		Construction Details
			A	B	C	D	E	F			Right	Left	
		18 x 36	18	36	20-3/4	38-3/4	18-1/4	36-1/4	2	2			Hinge always furnished on height "B" dimension. FLANGED FRAME 16 ga. galvanized steel. DOOR PANEL FRAME .060 - 6063 extruded aluminum. DOOR PANEL 24 ga. galvanized steel. HANDLES Ventlok #202 - shipped loose for field installation. Work from inside and outside. INSULATION 1 in. fiberglass. GASKET Closed cell neoprene gasket. HINGE Continuous steel - zinc-plated riveted to frame and door. OPTIONAL S.S. CONSTRUCTION Stainless steel door, frame and hinge. Ventlok handle standard. <input type="checkbox"/> S.S. "T" handle optional. <input type="checkbox"/> OPT. ALL ALUM. CONSTRUCTION Standard construction with aluminum door panel and hinge. OPT. PLEXIGLASS VIEW-PORT 6-3/4" round double pane (Models ADG-K-IN and ADG-K-IN-HP). * Advise if hinge is on left or right side, facing door from outside. OPT. HIGH PRESSURE MODELS Models AD-K-IN-HP and ADG-K-IN-HP have all caulked joints. ** Use AD2-K-IN-HP, 2" style doors provided with 14 ga. fabricated frame. All materials are mill finish.
		18 x 48	18	48	20-3/4	50-3/4	18-1/4	48-1/4	2	3			
		18 x 54	18	54	20-3/4	56-3/4	18-1/4	54-1/4	3	3			
		18 x 60	18	60	20-3/4	62-3/4	18-1/4	60-1/4	3	3			
		18 x 72	18	72	20-3/4	74-3/4	18-1/4	72-1/4	3	3			
		18 x 84	18	84	20-3/4	86-3/4	18-1/4	84-1/4	3	3			
		18 x 96	18	96	20-3/4	98-3/4	18-1/4	96-1/4	3	3			
		24 x 36	24	36	26-3/4	38-3/4	24-1/4	36-1/4	2	4			
		24 x 48	24	48	26-3/4	50-3/4	24-1/4	48-1/4	2	5			
		24 x 54	24	54	26-3/4	56-3/4	24-1/4	54-1/4	3	5			
		24 x 60	24	60	26-3/4	62-3/4	24-1/4	60-1/4	3	5			
		24 x 72	24	72	26-3/4	74-3/4	24-1/4	72-1/4	3	5			
		24 x 84	24	84	26-3/4	86-3/4	24-1/4	84-1/4	3	5			
		24 x 96	24	96	26-3/4	98-3/4	24-1/4	96-1/4	3	5			
		30 x 60	30	60	32-3/4	62-3/4	30-1/4	60-1/4	5	5			
		30 x 72	30	72	32-3/4	74-3/4	30-1/4	72-1/4	5	5			
		30 x 84	30	84	32-3/4	86-3/4	30-1/4	84-1/4	5	** 5			
		30 x 96	30	96	32-3/4	98-3/4	30-1/4	96-1/4	5	** 5			
		36 x 60	36	60	38-3/4	62-3/4	36-1/4	60-1/4	5	5			
		36 x 72	36	72	38-3/4	74-3/4	36-1/4	72-1/4	5	5			
		36 x 84	36	84	38-3/4	86-3/4	36-1/4	84-1/4	5	** 5			
		36 x 96	36	96	38-3/4	98-3/4	36-1/4	96-1/4	5	** 5			

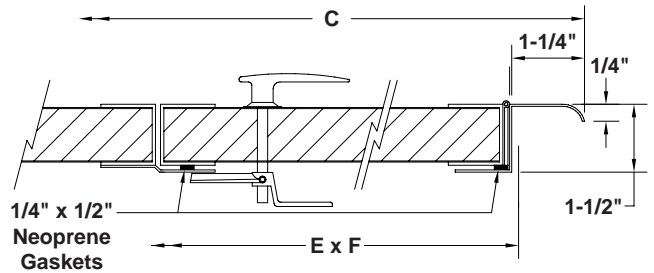
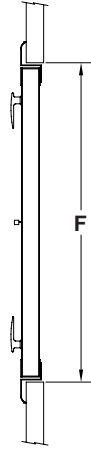
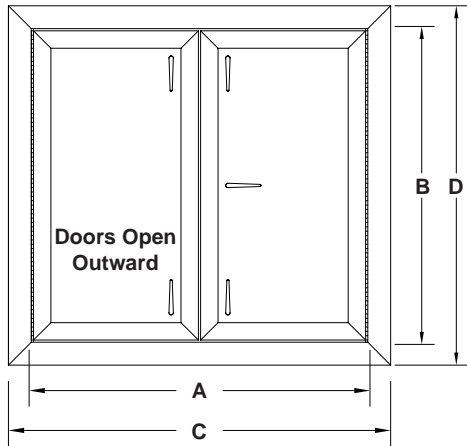
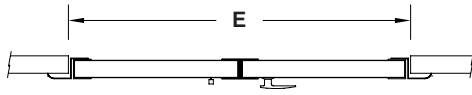
To maintain KEES' policy of continuous product development, we reserve the right to change prices, specifications, ratings and dimensions without notice or obligation.

Project		Location	
Engineer			
Architect		Dwg. No.	SD-ADK-IN
Contractor		Date	09/17

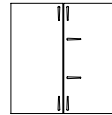
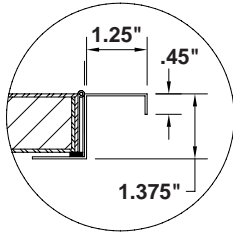


KEES INCORPORATED
400 S. Industrial Dr.
Elkhart Lake, WI 53020
Phone: (920) 876-3391
Fax: (920) 876-3065
Website: www.kees.com

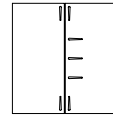
Model AD-K-Two Panel



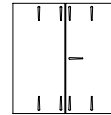
Optional Fabricated and S.S. Frame Detail



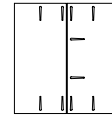
6 Handles



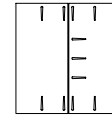
7 Handles



9 Handles



10 Handles




11 Handles

Minimum Clear Opening Dimensions = Frame Neck O.D. Minus 2.125"

Qty.	Model	Size	Frame Neck O.D. Nominal Size		Frame Outside Dimension		Duct Opening Dimension		No. of Latches	Construction Details
			A	B	C	D	E	F		
		48" x 36"	48"	36"	50-1/2"	38-1/2"	48-1/4"	36-1/4"	5	Hinge always furnished on height "B" dimension. FLANGED FRAME .060 - 6063 extruded aluminum. DOOR PANEL FRAME .060 - 6063 extruded aluminum. DOOR PANEL 24 ga. galvanized steel. HANDLES Ventlok #202 shipped loose for field installation. Work from inside and outside. INSULATION 1 in. fiberglass. GASKET Closed cell neoprene gasket. HINGE Continuous steel - zinc-plated riveted to frame and door. OPTIONAL FABRICATED FRAME 14 ga. galvanized steel. OPTIONAL S.S. CONSTRUCTION Stainless steel door, frame and hinge. Ventlok handle standard. <input type="checkbox"/> S.S. "T" handle optional. <input type="checkbox"/> OPTIONAL ALL ALUM. CONSTRUCTION Standard construction with aluminum door panel and hinge. All materials are mill finish. Standard construction to 4.5" S.P.
		48" x 48"	48"	48"	50-1/2"	50-1/2"	48-1/4"	48-1/4"	5	
		48" x 54"	48"	54"	50-1/2"	56-1/2"	48-1/4"	54-1/4"	6	
		48" x 60"	48"	60"	50-1/2"	62-1/2"	48-1/4"	60-1/4"	6	
		48" x 72"	48"	72"	50-1/2"	74-1/2"	48-1/4"	72-1/4"	6	
		48" x 84"	48"	84"	50-1/2"	86-1/2"	48-1/4"	84-1/4"	7	
		48" x 96"	48"	96"	50-1/2"	98-1/2"	48-1/4"	96-1/4"	7	

To maintain KEEES' policy of continuous product development, we reserve the right to change prices, specifications, ratings and dimensions without notice or obligation.

Project		Location	
Engineer		Dwg. No. SD-ADK TWO PANEL	
Architect		Date 04/17	
Contractor		 KEES INCORPORATED 400 S. Industrial Dr. Elkhart Lake, WI 53020 Phone: (920) 876-3391 Fax: (920) 876-3065 Website: www.kees.com	