



DUCT ACCESS DOORS FOR FIBERGLASS DUCT WORK

STANDARD SIZES

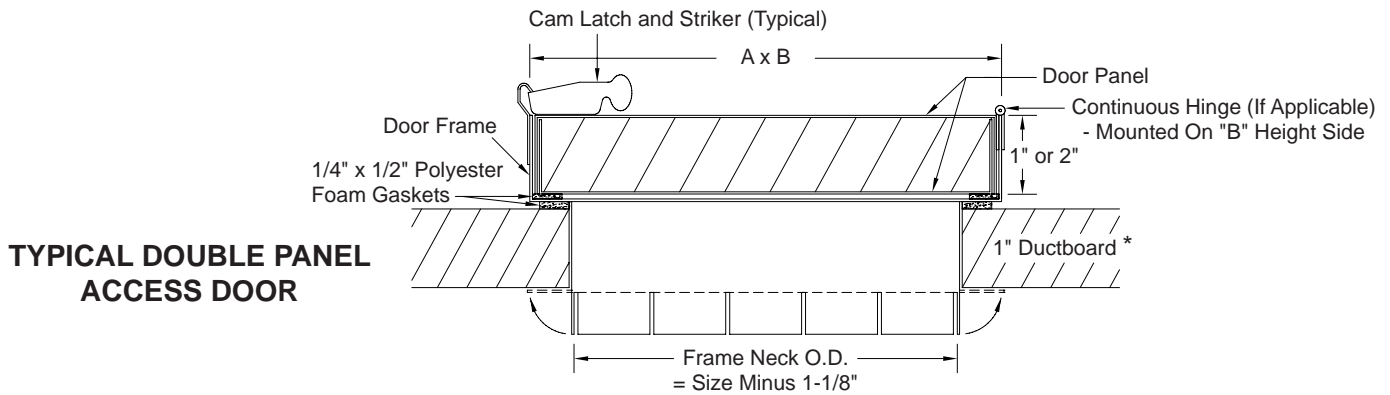
SPECIFICATIONS:

Quantity		Ductboard Thickness	Size	Dim. A Width	Dim. B Height	Frame Neck O.D.	No. of Cams ADC	No. of Cams ADH	Door Insulation		Option(s)
ADC-F	ADH-F								1"	2"	
			6 x 6	6	6	4-7/8" x 4-7/8"	2	1			
			8 x 8	8	8	6-7/8" x 6-7/8"	2	1			
			10 x 10	10	10	8-7/8" x 8-7/8"	2	1			
			12 x 12	12	12	10-7/8" x 10-7/8"	2	1			
			14 x 14	14	14	12-7/8" x 12-7/8"	2	1			
			16 x 16	16	16	14-7/8" x 14-7/8"	4	2			
			18 x 18	18	18	16-7/8" x 16-7/8"	4	2			
			20 x 20	20	20	18-7/8" x 18-7/8"	4	2			
			24 x 24	24	24	22-7/8" x 22-7/8"	4	2			
			24 x 36	24	36	22-7/8" x 34-7/8"	6	3			

- DOOR PANEL:
24 ga. galvanized steel
- FRAME:
22 ga. galvanized steel
- INSULATION:
1" or 2" fiberglass
- PRE-FORMED TABS:
28 ga. galvanized steel
- CAMS & STRIKERS:
galvanized steel
- HINGE:
plated steel

*OPTIONAL CONSTRUCTION:

- .032" aluminum with aluminum hinge and/or plated steel cams & strikers
- 24 gauge stainless steel with stainless steel hinge and/or cams & strikers
- Sleeve for 1-1/2" ductboard
- Sleeve for 2" ductboard
- Optional Window
 - DP - Plexiglas
 - DL - Lexan
 - DG - Laminated Safety Glass



To maintain KEES' policy of continuous product development, we reserve the right to change prices, specifications, ratings and dimensions without notice or obligation.

Project		Location	
Engineer			
Architect		Dwg. No.	SD-AD-F
Contractor		Date	06/16

KEES INCORPORATED
 400 S. Industrial Dr.
 Elkhart Lake, WI 53020
 Phone: (920) 876-3391
 Fax: (920) 876-3065
 Website: www.kees.com