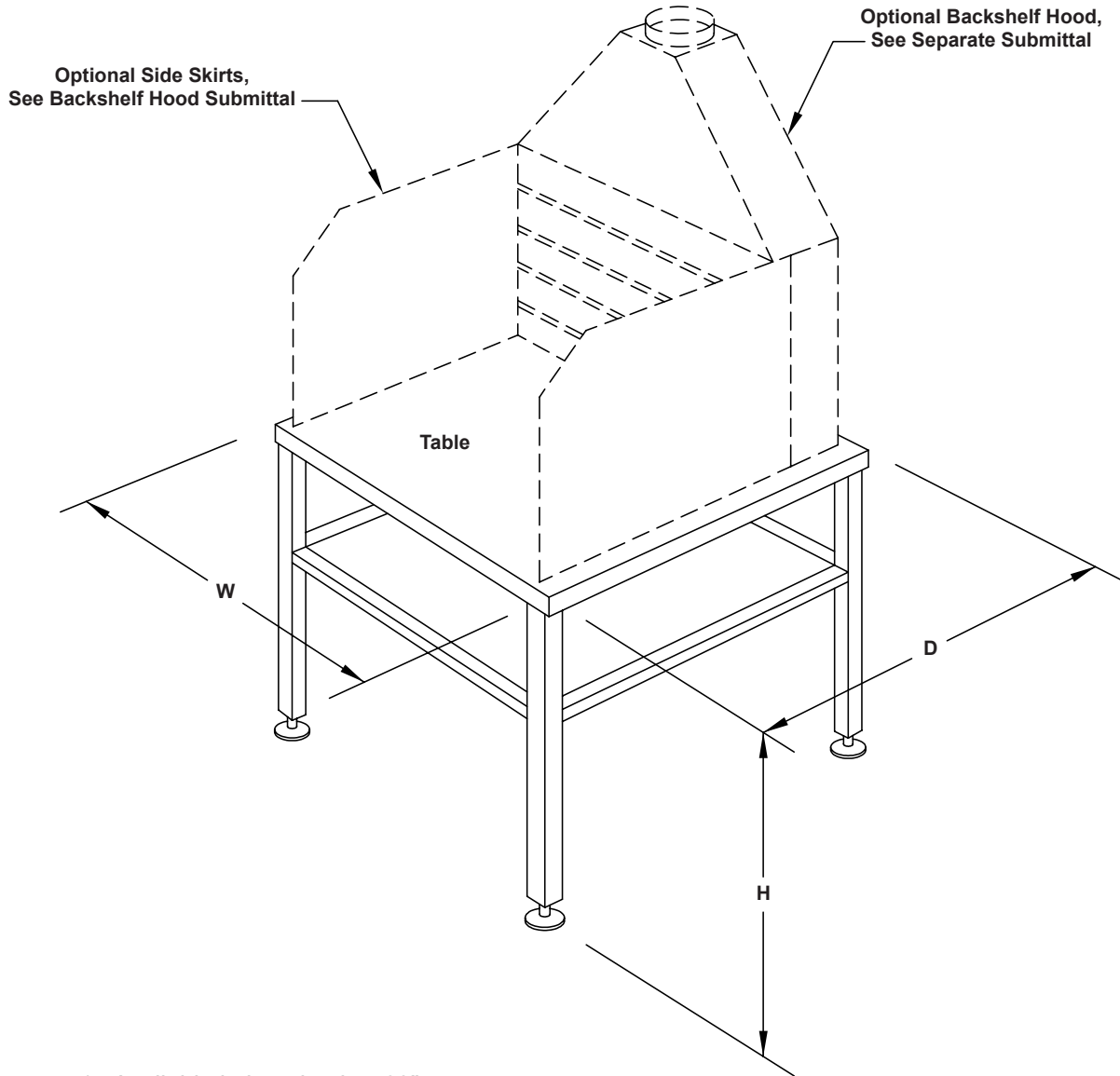





WELDING TABLES MODEL WT



1. Available in lengths thru 60".
2. Available in all widths, depths and heights.
3. Standard construction includes 3/4" plate top, 3" x 3" tubular framing, a shelf and leveling feet.
4. Side skirts and/or backshelf hood available options.
5. Contact factory for available other designs.

Qty.	W	D	H	Special	Tag

To maintain KEES' policy of continuous product improvement, we reserve the right to change prices, specifications, ratings or dimensions without notice or obligation.

Project			Location		 KEES INCORPORATED 400 S. Industrial Dr. • P.O. Box L Elkhart Lake, WI 53020 Phone: (920) 876-3391 Fax: (920) 876-3065 Website: www.kees.com
Engineer					
Architect			Dwg. No.	SD-WT	
Contractor			Date	03/08	