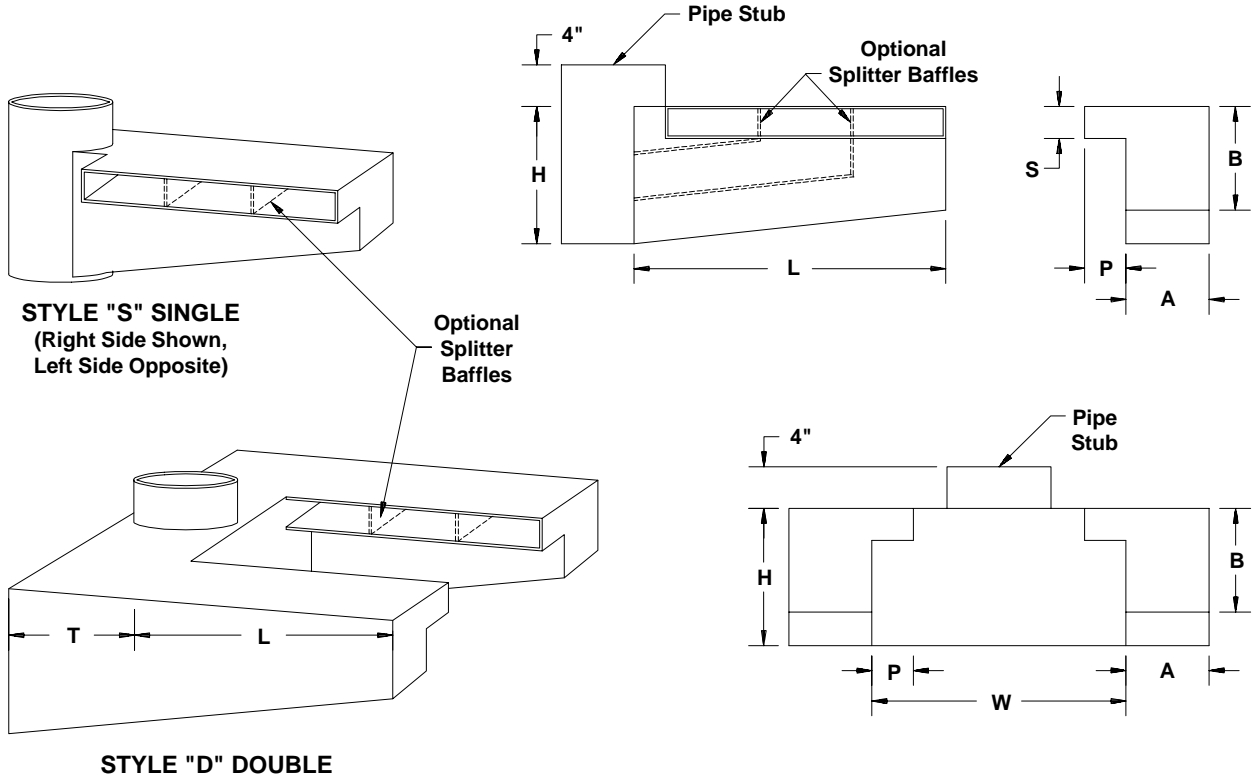




PLASTIC SLOTTED TANK SIDE EXHAUST INDUSTRIAL HOODS



CONSTRUCTION: Multi-pass welded mill finish 3/16" or 1/4" grey or white polyvinyl chloride (PVC), grey chlorinated polyvinyl chloride (CPVC), white polyethylene (PE), or natural polypropylene (PP). Other thicknesses available.

DIMENSIONS: As required.

Qty.	Style	Orientation	Material	Thickness	L	H	A	B	P	S	W	T
Pipe Stub			Splitter Baffles	Other							Tag	
Size	Schedule											

To maintain KEES' policy of continuous product improvement, we reserve the right to change prices, specifications, ratings or dimensions without notice or obligation.

Project				Location			
Engineer							
Architect			Dwg. No.	SD-TPTE			
Contractor			Date	08-01			

KEES INCORPORATED
 400 S. Industrial Dr. • P.O. Box L
 Elkhart Lake, WI 53020
 Phone: (920) 876-3391
 Fax: (920) 876-3065
 Website: www.kees.com