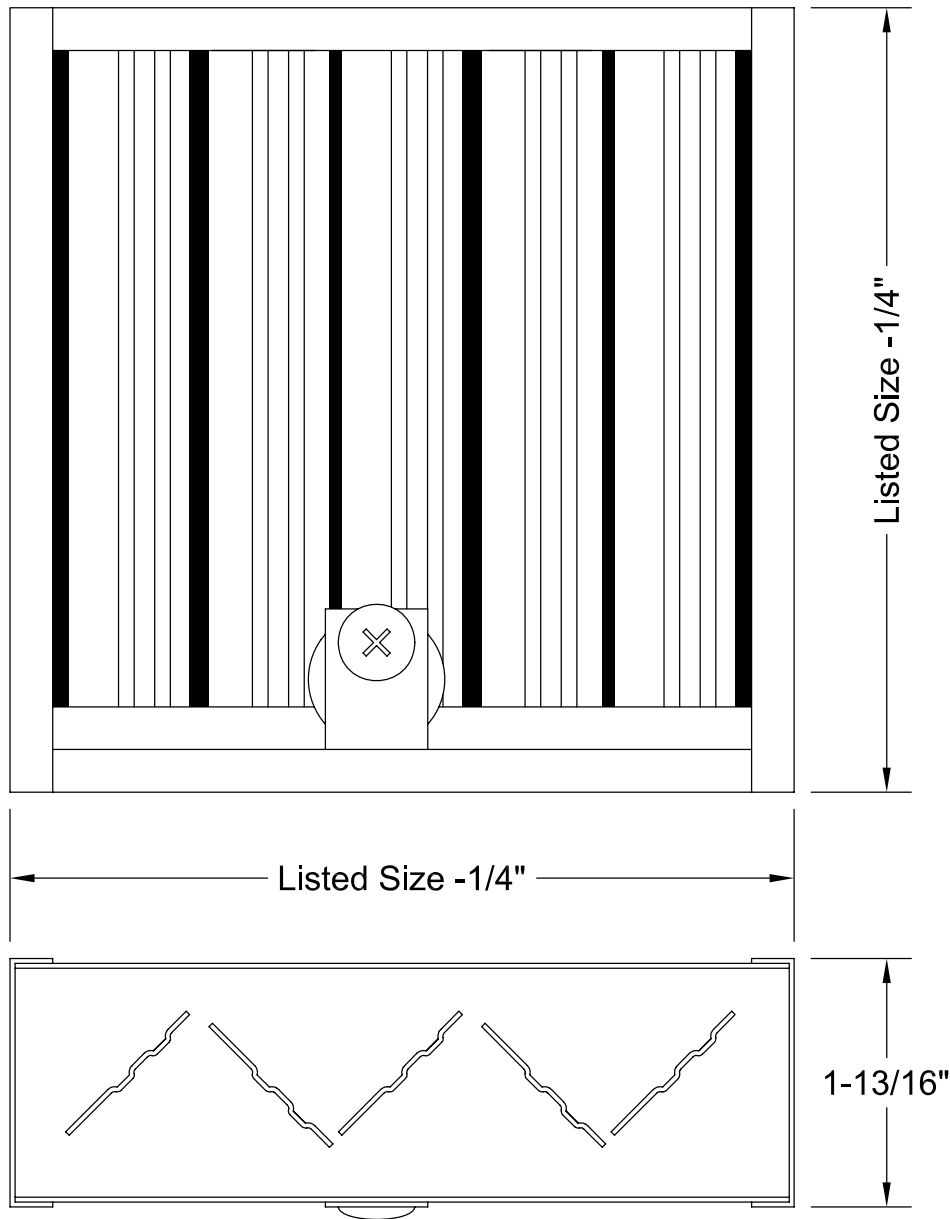



# STAINLESS STEEL OPPOSED BLADE DAMPER

20 Ga. 304 (Standard) or 316 (Optional) Stainless - Mill Finish



Quantity	W	H	Type S.S.		Tag
			304	316	

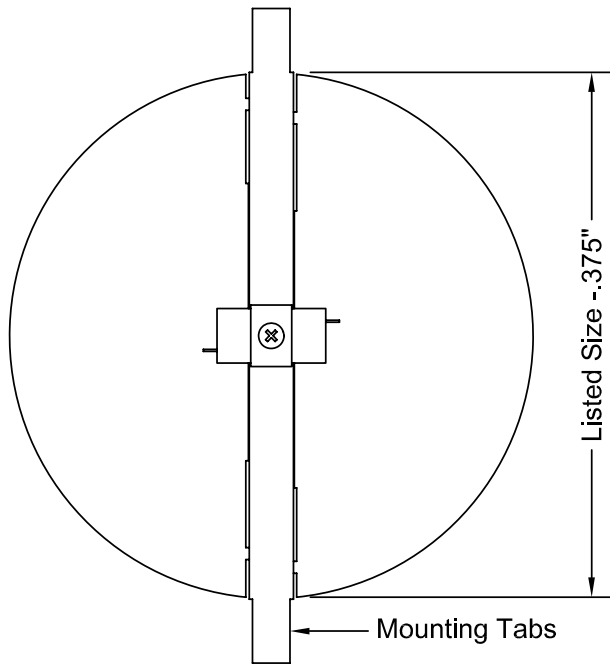
To maintain KEES' policy of continuous product improvement, we reserve the right to change prices, specifications, ratings or dimensions without notice or obligation.

<b>Project</b>			<b>Location</b>			
<b>Engineer</b>				 <b>KEES INCORPORATED</b> 400 S. Industrial Dr. • P.O. Box L Elkhart Lake, WI 53020 Phone: (920) 876-3391 Fax: (920) 876-3065 Website: www.kees.com		
<b>Architect</b>		<b>Dwg. No.</b>	<b>SS-OBD</b>			
<b>Contractor</b>		<b>Date</b>	<b>01/07</b>			

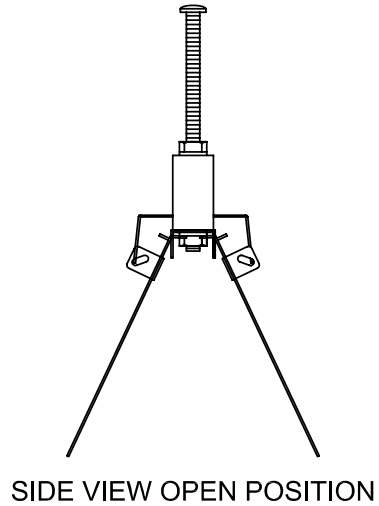
# STAINLESS STEEL ROUND BUTTERFLY DAMPER

## Model SSRBF

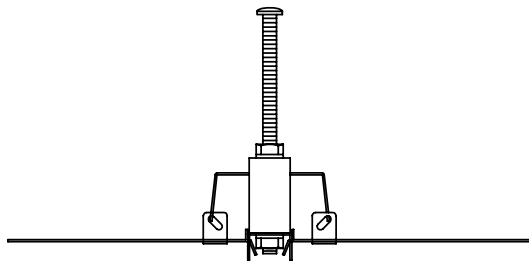
20 Ga. 304 (Standard) or 316 (Optional) Stainless - Mill Finish - Available to 36" Diameter



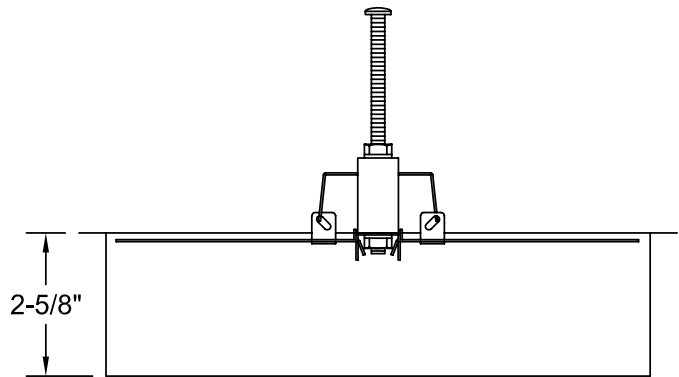
TOP VIEW CLOSED POSITION



SIDE VIEW OPEN POSITION



SIDE VIEW CLOSED POSITION




OPTIONAL ROUND COLLAR

Quantity	Listed Neck Size (Dia.)	Type S.S.		Optional Collar	Tag
		304	316		

To maintain KEES' policy of continuous product improvement, we reserve the right to change prices, specifications, ratings or dimensions without notice or obligation.

<b>Project</b>			<b>Location</b>		
<b>Engineer</b>					
<b>Architect</b>		<b>Dwg. No.</b>	SS-SSRBF		
<b>Contractor</b>		<b>Date</b>	01/07		



**KEES INCORPORATED**  
 400 S. Industrial Dr. • P.O. Box L  
 Elkhart Lake, WI 53020  
 Phone: (920) 876-3391  
 Fax: (920) 876-3065  
 Website: www.kees.com