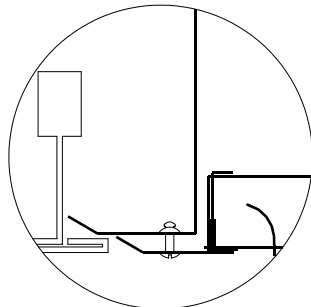




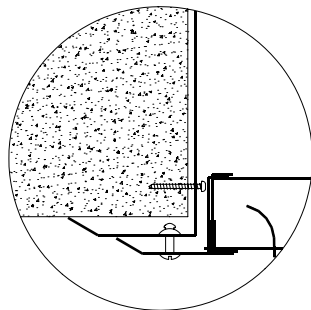
STAINLESS STEEL HEMISPHERICAL DIFFUSER MODEL SSHDA

304 S.S. (Standard) 316 (Optional) With Satin Polish

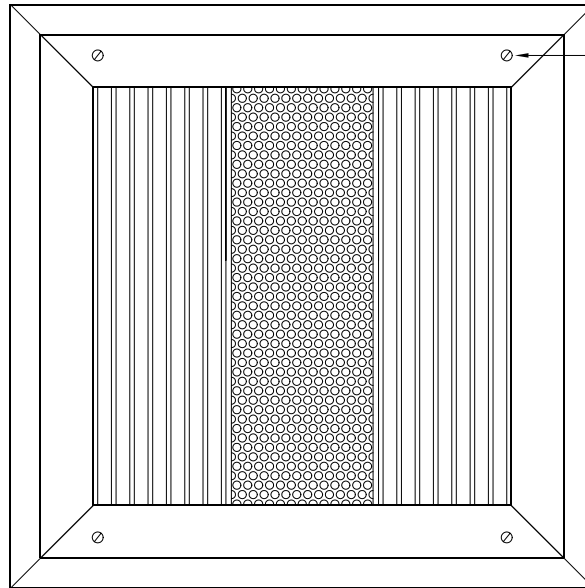
3/32" Round Holes on 1/4" Staggered Centers - 13% F.A.



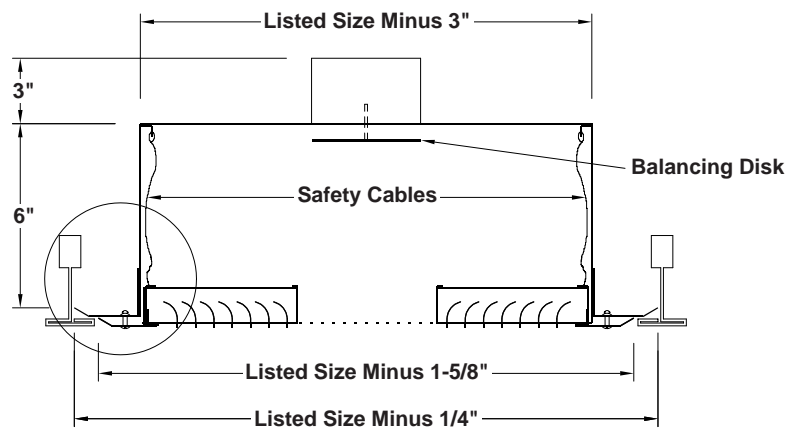
LAY-IN



SURFACE MOUNT




1/4 Turn Fasteners



REMOVABLE WITH SAFETY CABLE STANDARD, OPTIONAL HINGED FACE AVAILABLE ON UNITS 24" WIDE AND LARGER

Qty.	Listed Size	Neck Size		Face		C.F.M.	S.P.	Type S.S.		Tag
		Round	Square	Removable	Hinged			304	316	

To maintain KEES' policy of continuous product improvement, we reserve the right to change prices, specifications, ratings or dimensions without notice or obligation.

Project					Location						
Engineer							 KEES INCORPORATED 400 S. Industrial Dr. • P.O. Box L Elkhart Lake, WI 53020 Phone: (920) 876-3391 Fax: (920) 876-3065 Website: www.kees.com				
Architect			Dwg. No.	SD-SSHDA							
Contractor			Date	06/09							