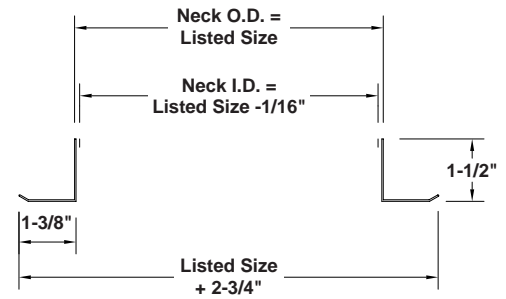
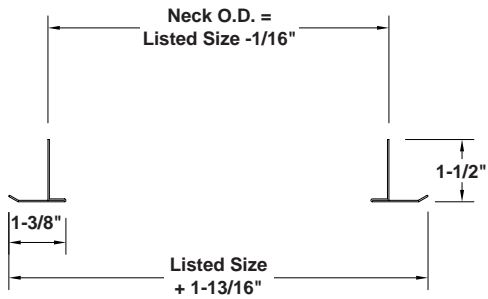
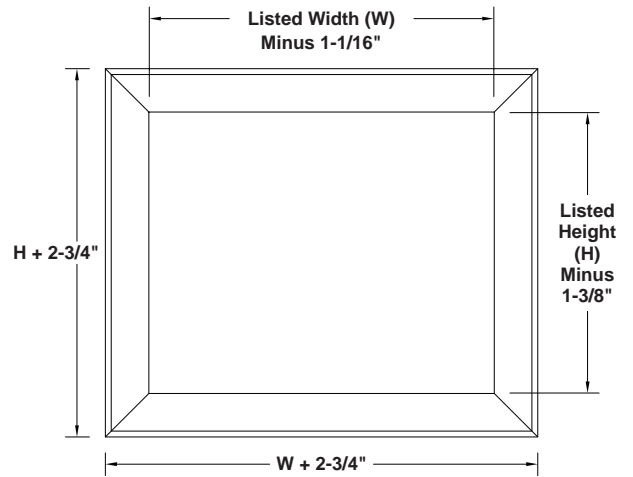
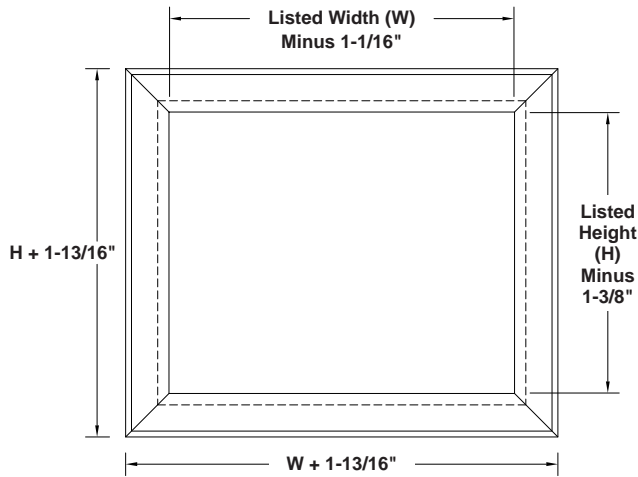


# STAINLESS STEEL LAY-IN AND PLASTER FRAMES

## 304 (Standard) or 316 (Optional) Stainless - Satin Finish

Lay-in frame maximum single section 48" x 48", 20 GA. Frame  
 Plaster frame maximum single section 60" x 48".




Lay-In Frame, LIF

Plaster Frame, PF

Qty.	Model	W	H	Type S.S.	Tag

To maintain KEES' policy of continuous product improvement, we reserve the right to change prices, specifications, ratings or dimensions without notice or obligation.

<b>Project</b>			<b>Location</b>		
<b>Engineer</b>			<b>Dwg. No.</b>	<b>SD-SS-Frames</b>	 <b>KEES INCORPORATED</b> 400 S. Industrial Dr. • P.O. Box L Elkhart Lake, WI 53020 Phone: (920) 876-3391 Fax: (920) 876-3065 Website: www.kees.com
<b>Architect</b>					
<b>Contractor</b>					