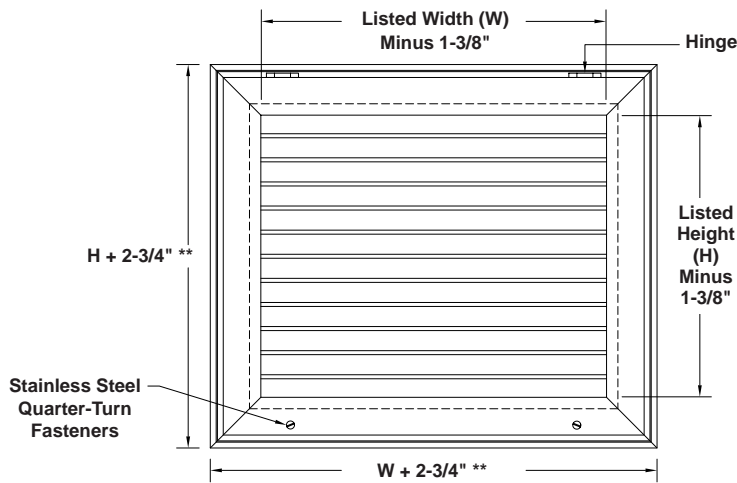


STAINLESS STEEL FILTER GRILLES

304 (Standard) or 316 (Optional) Stainless - Satin Finish

20 GA. Frame, 24 GA. Blades
 Maximum single section 60" x 48". Sizes larger than 60" x 48" available.
 Available options include: opposed blade damper, no filter clips, no hinge (removable grille).
 See reverse side for butting details on multiple piece grilles.



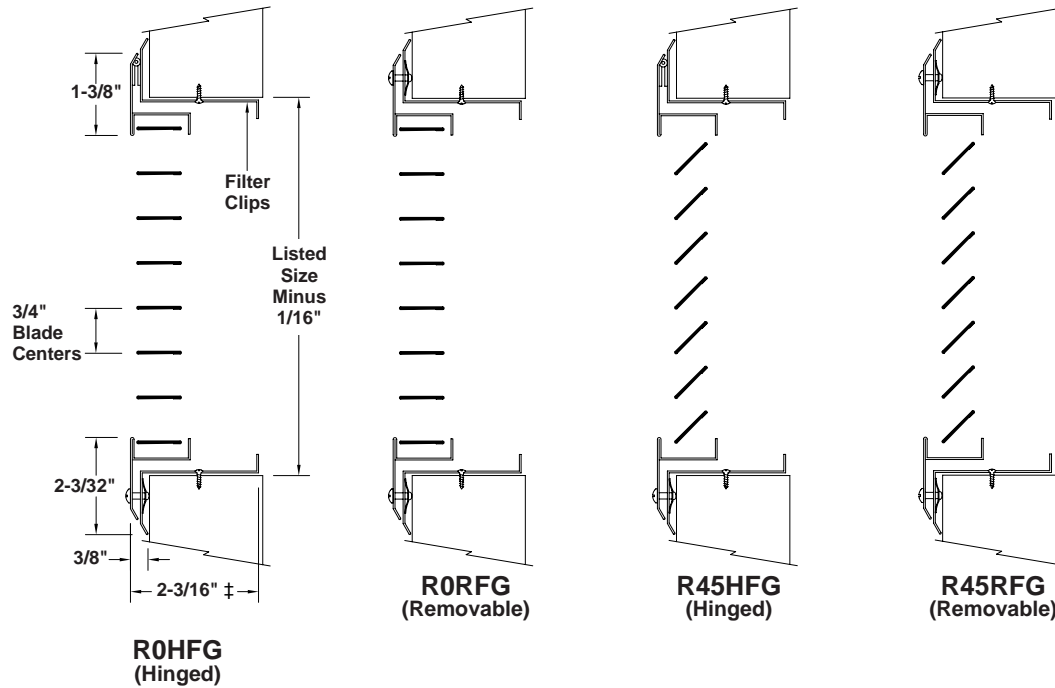
BLADE DETAIL



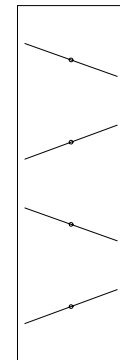
‡ 2-3/16" For 1" Filter,
 3-1/2" For 2" Filter.

** For Lay-In Applications,
 Frame O.D. is Listed Size +2.75".
 Listed Size is Lay-In Module Size -3".

*Filter by Others.



ACCESSORY



S.S. OBD

(*1" Filter - OBD Attached To Rear Of Filter Frame
 2" Filter - OBD Attached To Rear Of Grille)

Qty.	Model	W	H	Filter Depth*		Type S.S.		O.B.D.	Tag
				1"	2"	304	316		

To maintain KEES' policy of continuous product improvement, we reserve the right to change prices, specifications, ratings, or dimensions without prior notice or obligation.

Project				Location					
Engineer									
Architect				Dwg No.	SD-SSFG				
Contractor				Date	06/09				



KEES INCORPORATED
 400 S. Industrial Dr. • P.O. Box L
 Elkhart Lake, WI 53020
 Phone: (920) 876-3391
 Fax: (920) 876-3065
 Website: www.kees.com

STAINLESS STEEL FILTER GRILLES

304 (Standard) or 316 (Optional) Stainless - Satin Finish

20 GA. Frame, 24 GA. Blades

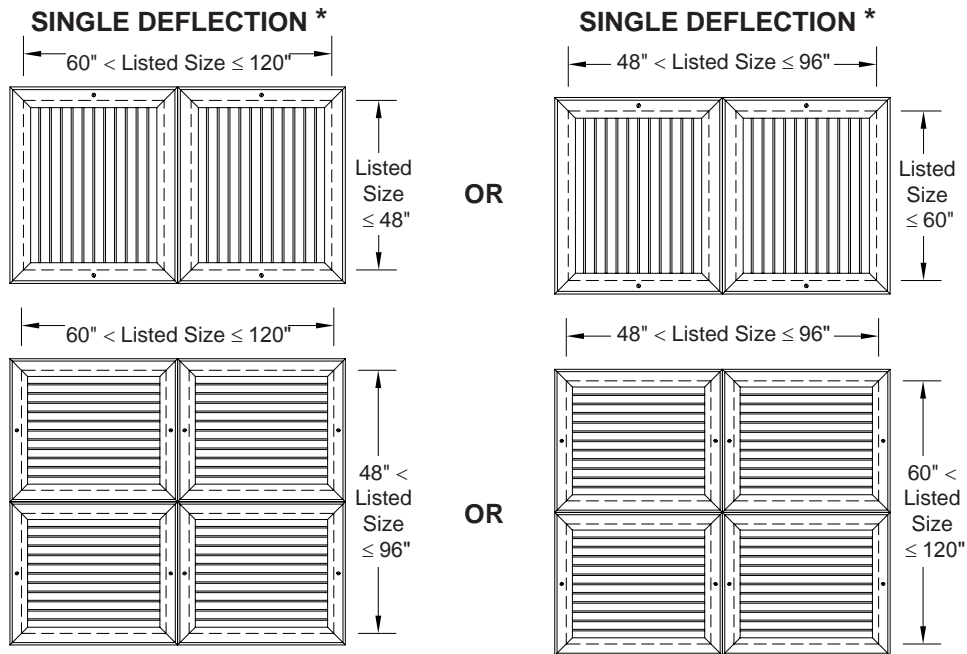
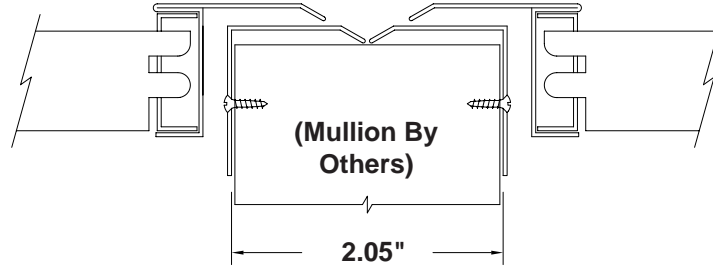
Maximum single section 60" x 48". Sizes larger than 60" x 48" available.

Available options include: opposed blade damper, no filter clips, no hinge (removable grille).

Larger order sizes will be made in multiple individual sections to fit opening size.

Mullion supports within opening to be provided by others.

BUTTING DETAIL



* Blades can be either vertical or horizontal for the dimensions shown.

To maintain KEES' policy of continuous product improvement, we reserve the right to change prices, specifications, ratings, or dimensions without prior notice or obligation.

Project		Location		
Engineer				KEES INCORPORATED 400 S. Industrial Dr. • P.O. Box L Elkhart Lake, WI 53020 Phone: (920) 876-3391 Fax: (920) 876-3065 Website: www.kees.com
Architect		Dwg No.	SD-SSFG	
Contractor		Date	06/09	
		