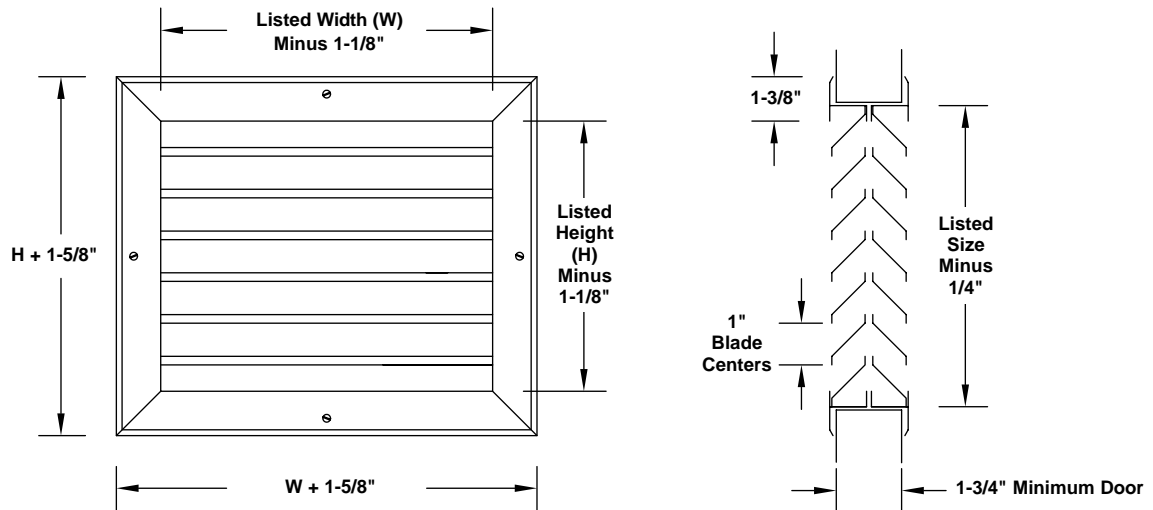


# STAINLESS STEEL DOOR GRILLES

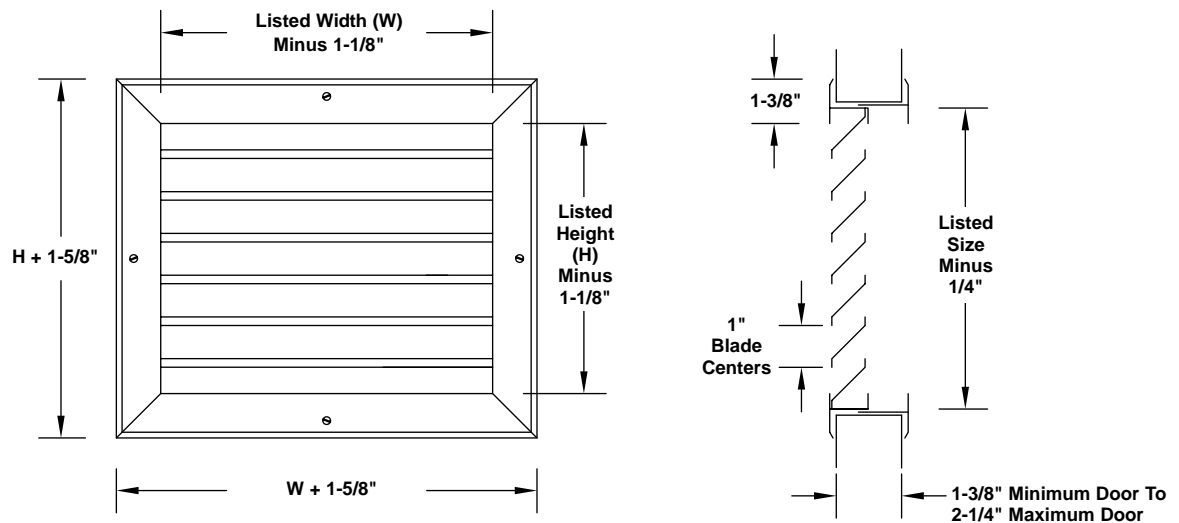
## 304 (Standard) or 316 (Optional) Stainless - Satin Finish

20 GA. Frame, 18 GA. Blades  
 Maximum single piece size is 60" x 48".

### MODEL SSDG-B - GRILLE BOTH SIDES OF DOOR




### MODEL SSDG-T - GRILLE WITH TRIM FRAME ON REAR



Quantity	Model	W	H	Type S.S.		Tag
				304	316	

To maintain KEES' policy of continuous product improvement, we reserve the right to change prices, specifications, ratings or dimensions without notice or obligation.

<b>Project</b>				<b>Location</b>		
<b>Engineer</b>						
<b>Architect</b>			<b>Dwg. No.</b>	<b>SD-SSDG</b>	 <b>KEES INCORPORATED</b> 400 S. Industrial Dr. • P.O. Box L Elkhart Lake, WI 53020 Phone: (920) 876-3391 Fax: (920) 876-3065 Website: www.kees.com	
<b>Contractor</b>			<b>Date</b>	<b>03/05</b>		