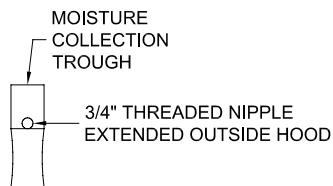
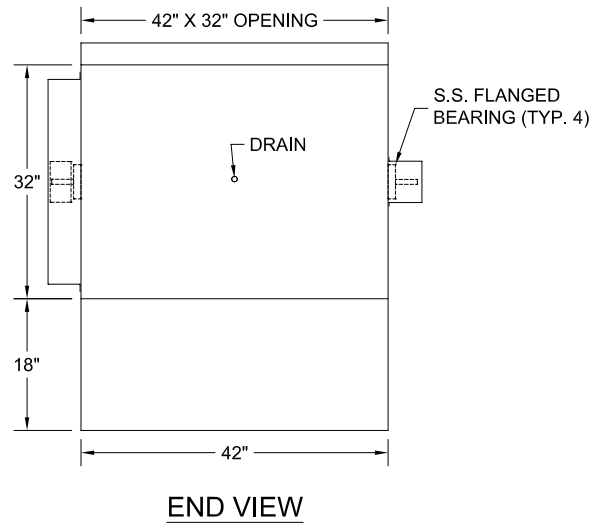
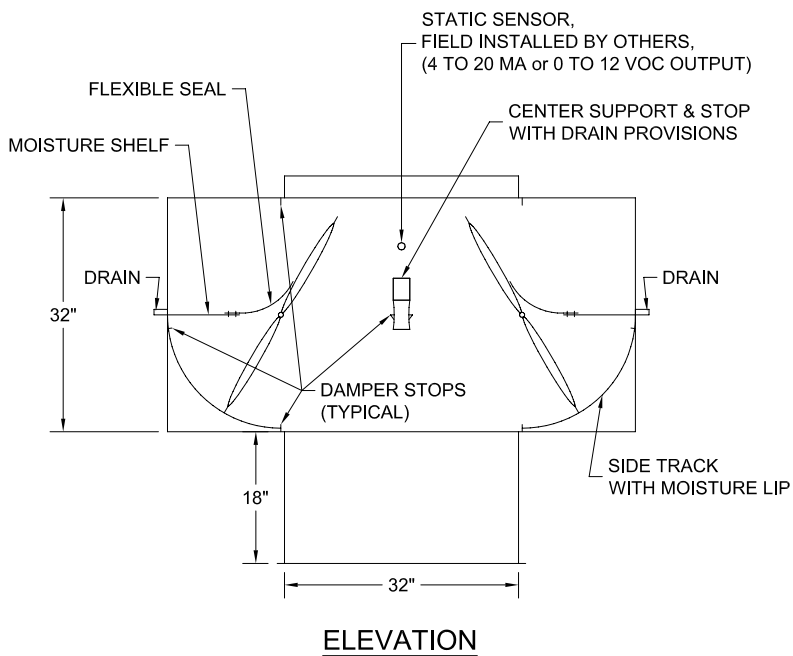
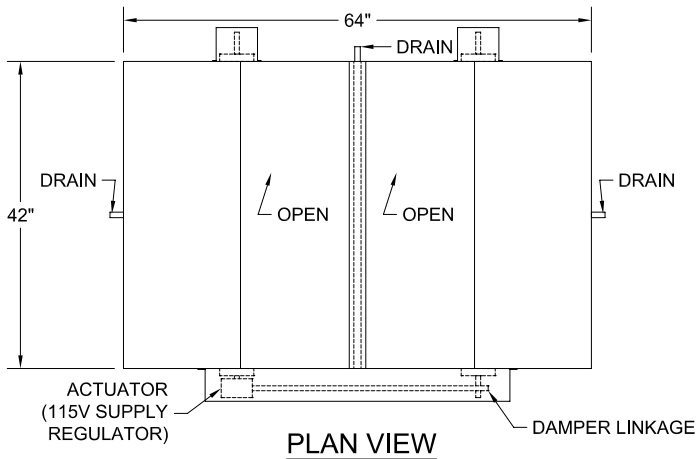
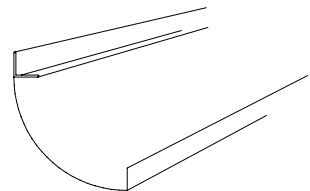


SSDD-3242 TURKALATOR STAINLESS STEEL DISCHARGE DAMPER ASSEMBLY

(Other Sizes Available)



CENTER SUPPORT & STOP
WITH DRAIN PROVISIONS



SIDE TRACK WITH MOISTURE LIP

To maintain KEES' policy of continuous product development, we reserve the right to change prices, specifications, ratings and dimensions without notice or obligation.

Project		Location	
Engineer			
Architect		Dwg. No.	SD-SSDD
Contractor		Date	05/12



KEES INCORPORATED
400 S. Industrial Dr.
Elkhart Lake, WI 53020
Phone: (920) 876-3391
Fax: (920) 876-3065
Website: www.kees.com