

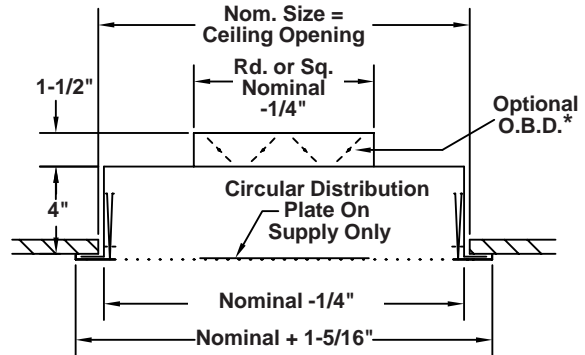
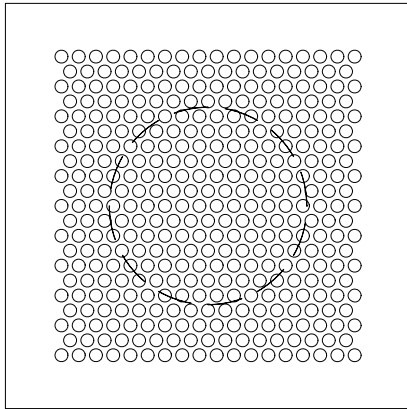


# STAINLESS STEEL PERFORATED FACE CEILING DIFFUSERS

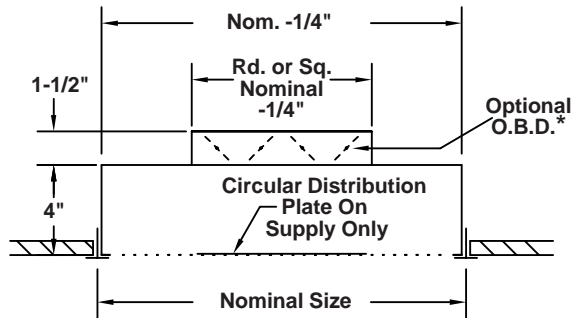
TYPE 304 (STANDARD) OR 316 (OPTIONAL) WITH SATIN POLISH  
3/16" DIAMETER HOLES ON 1/4" STAGGERED CENTERS

SUPPLY - MODEL SSCD • RETURN - MODEL SSRD

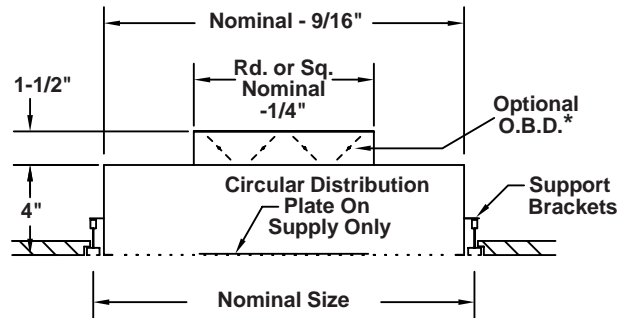
(Style B  
Shown)



**SURFACE MOUNT - STYLE B (Supply)  
Removable Face**

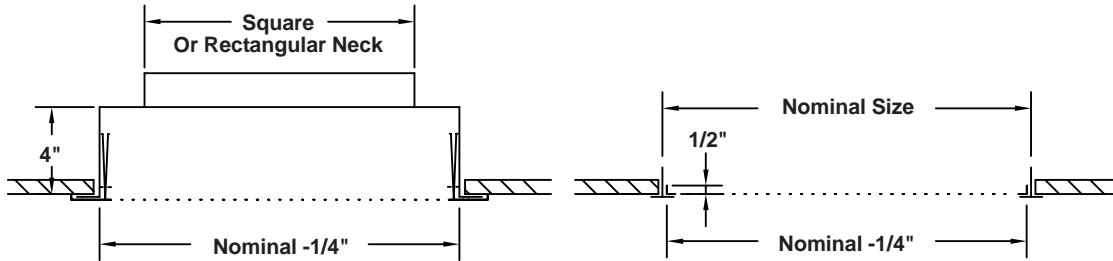


**LAY ON T-BAR - STYLE A**



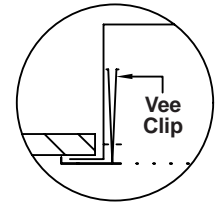
**FOR SPECIAL 9/16" WIDE  
T-BAR CEILINGS - STYLE C**

\* OBD FOR ROUND NECK UNITS MOUNTED BELOW COLLAR.



**SURFACE MOUNT - STYLE B (Return)  
Removable Face**

**LAY ON PANEL ONLY  
STYLE D (Return)**



**REMOVABLE FACE  
CLIP DETAIL  
(Surface Mount  
Only)**

Qty.	Style	Nominal Size	Neck Size		Supply	Return	O.B.D.		C.F.M.	S.P.	Type Steel		Tag
			Round	Square			S.S.	Std. Steel			304	316	

To maintain KEES' policy of continuous product improvement, we reserve the right to change prices, specifications, ratings or dimensions without notice or obligation.

<b>Project</b>				<b>Location</b>			
<b>Engineer</b>							
<b>Architect</b>			<b>Dwg. No.</b>	<b>SD-SSCD</b>			
<b>Contractor</b>			<b>Date</b>	<b>06/05</b>		<b>KEES INCORPORATED</b> 400 S. Industrial Dr. • P.O. Box L Elkhart Lake, WI 53020 Phone: (920) 876-3391 Fax: (920) 876-3065 Website: www.kees.com	