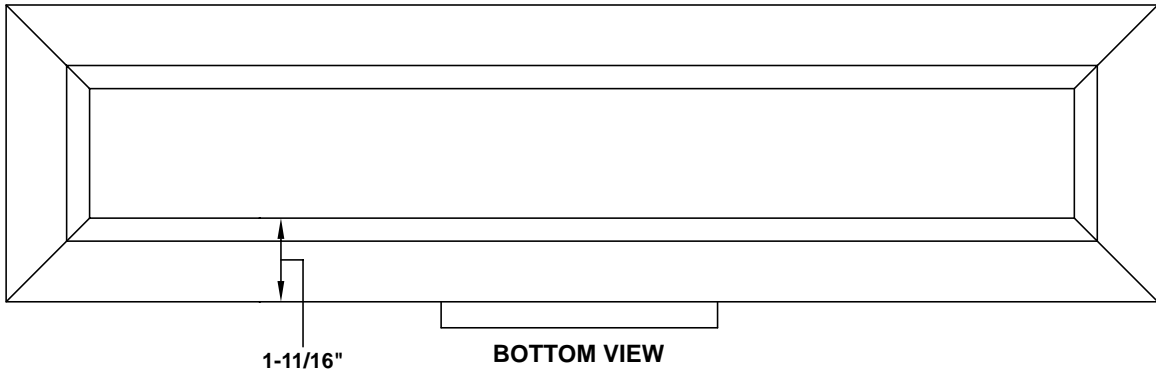


EXTRUDED ALUMINUM AIR DIFFUSER FRAMES

OPTION #12-SF

(For use with any lay-in diffuser or grille)



OPTION #12

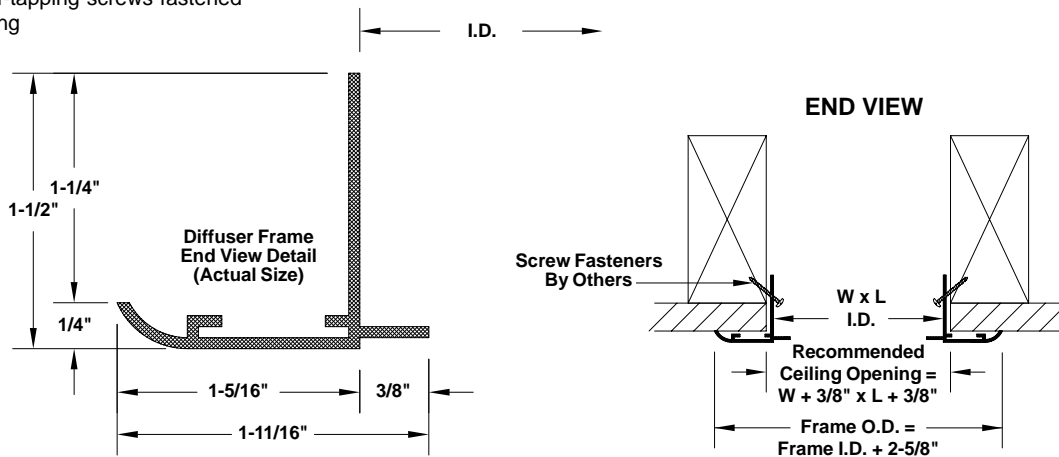
FRAME CONSTRUCTION:

.060-6063-T6 Extruded aluminum

FASTENING METHOD:


Concealed self-tapping screws fastened thru slot opening

FINISH:
Off-white



QTY.	FRAME I.D.		TAG
	L	W	

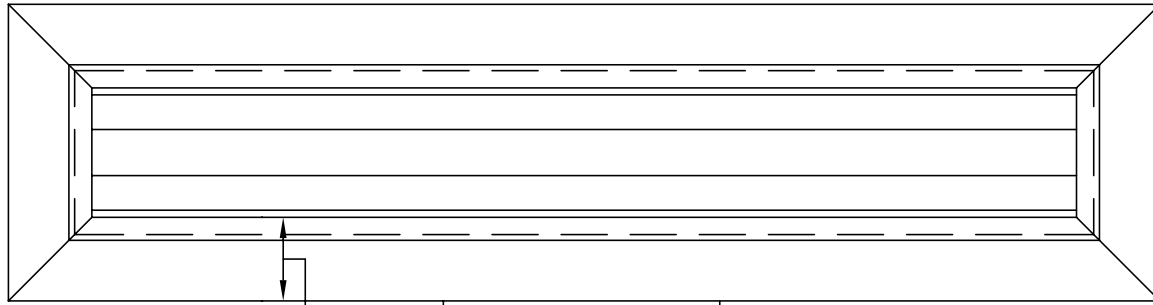
To maintain KEES' policy of continuous product improvement, we reserve the right to change prices, specifications, ratings or dimensions without notice or obligation.

Project			Location			
Engineer			 KEES INCORPORATED 400 S. Industrial Dr. • P.O. Box L Elkhart Lake, WI 53020 Phone: (920) 876-3391 Fax: (920) 876-3065 Website: www.kees.com			
Architect		Dwg. No.				SD- OPT. 12-SF
Contractor		Date				03/04

EXTRUDED ALUMINUM AIR DIFFUSER FRAMES

OPTION #12

(Shown as used with KEES K-slot Diffuser - OPTION #12 also available sized for use with any lay-in diffuser)



1-11/16"

BOTTOM VIEW

OPTION #12

FRAME CONSTRUCTION:

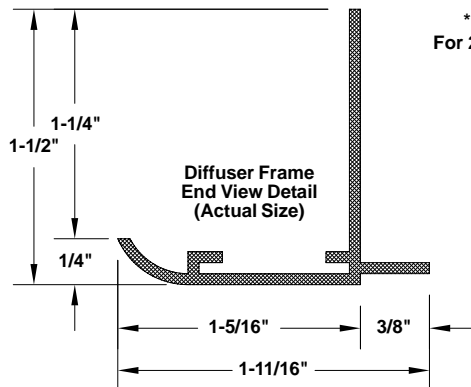
.060-6063-T6 Extruded aluminum

FASTENING METHOD:

Concealed self-tapping screws fastened thru slot opening

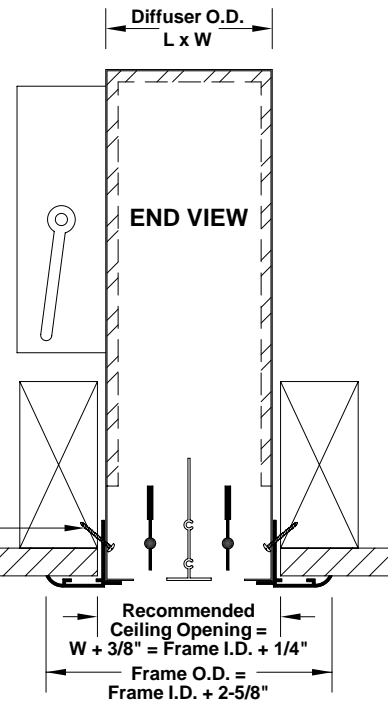
FINISH:

Off-white



$$I.D. = L + \frac{1}{16}'' \times \frac{W + \frac{1}{8}''}{W + \frac{1}{8}''}$$


* Single Unit.
For 2 or More Units,
 $L + \frac{1}{8}''$.



W = WIDTH OF PLENUM

	FRAME I.D. = W + 1/8"		FRAME I.D. = W + 1/8"		FRAME I.D. = W + 1/8"		FRAME I.D. = W + 1/8"
K-50-1	1-3/4"	K-75-1	2"	K-100-1	2-1/4"	K-150-1	2-3/4"
KLP-50-1	1-3/4"	KLP-75-1	2"	KLP-100-1	2-1/4"	KLP-150-1	2-3/4"
KR-50-1	1-3/4"	KR-75-1	2"	KR-100-1	2-1/4"	KR-150-1	2-3/4"
K-50-2	3-1/4"	K-75-2	3-3/4"	K-100-2	4-1/4"	K-150-2	5-1/4"
KLP-50-2	3-1/4"	KLP-75-2	3-3/4"	KLP-100-2	4-1/4"	KLP-150-2	5-1/4"
KR-50-2	3-1/4"	KR-75-2	3-3/4"	KR-100-2	4-1/4"	KR-150-2	5-1/4"
K-50-3	4-3/4"	K-75-3	5-1/2"	K-100-3	6-1/4"	K-150-3	7-3/4"
KR-50-3	4-3/4"	KR-75-3	5-1/2"	KR-100-3	6-1/4"	KR-150-3	7-3/4"
K-50-4	6-1/4"	K-75-4	7-1/4"	K-100-4	8-1/4"	K-150-4	10-1/4"
KR-50-4	6-1/4"	KR-75-4	7-1/4"	KR-100-4	8-1/4"	KR-150-4	10-1/4"
K-50-6	9-1/4"	K-75-6	10-3/4"	K-100-6	12-1/4"	K-150-6	15-1/4"
K-50-8	12-1/4"	K-75-8	14-1/4"	K-100-8	16-1/4"	K-150-8	20-1/4"
K-50-10	15-1/4"	K-75-10	17-3/4"	K-100-10	20-1/4"	K-150-10	25-1/4"

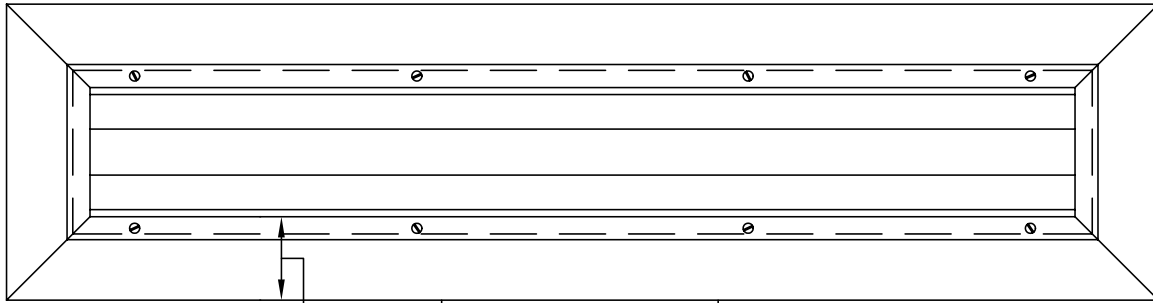
To maintain KEES' policy of continuous product improvement, we reserve the right to change prices, specifications, ratings or dimensions without notice or obligation.

Project			Location			
Engineer			 KEES INCORPORATED 400 S. Industrial Dr. • P.O. Box L Elkhart Lake, WI 53020 Phone: (920) 876-3391 Fax: (920) 876-3065 Website: www.kees.com			
Architect		Dwg. No.				SD-OPT. 12
Contractor		Date				03/04

EXTRUDED ALUMINUM AIR DIFFUSER FRAMES

OPTION #11

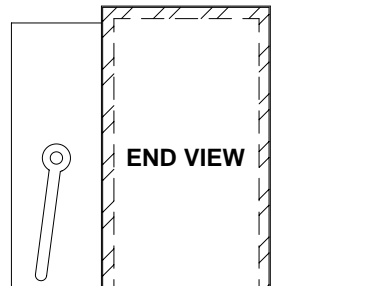
(Shown as used with KEES K-slot Diffuser)



1-11/16"

BOTTOM VIEW

Diffuser O.D.
L x W



END VIEW

OPTION #11

FRAME CONSTRUCTION:

.060-6063-T6 Extruded aluminum

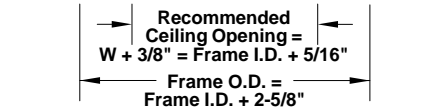
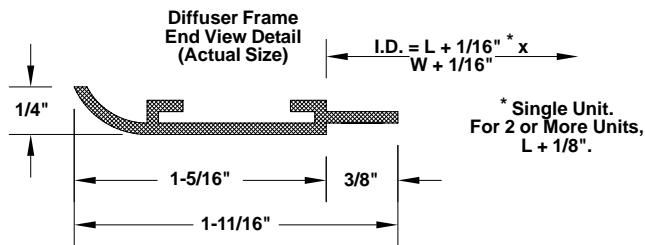
FASTENING METHOD:

#4 x 5/8" pan head sheet metal screws with white painted heads furnished by KEES.

FINISH:

Off-white


NOTE:
Diffuser must be supported independently of frame.



W = WIDTH OF PLENUM

	FRAME I.D. = W + 1/16"	FRAME I.D. = W + 1/16"	FRAME I.D. = W + 1/16"	FRAME I.D. = W + 1/16"			
K-50-1	1-11/16"	K-75-1	1-15/16"	K-100-1	2-3/16"	K-150-1	2-11/16"
KLP-50-1	1-11/16"	KLP-75-1	1-15/16"	KLP-100-1	2-3/16"	KLP-150-1	2-11/16"
KR-50-1	1-11/16"	KR-75-1	1-15/16"	KR-100-1	2-3/16"	KR-150-1	2-11/16"
K-50-2	3-3/16"	K-75-2	3-11/16"	K-100-2	4-3/16"	K-150-2	5-3/16"
KLP-50-2	3-3/16"	KLP-75-2	3-11/16"	KLP-100-2	4-3/16"	KLP-150-2	5-3/16"
KR-50-2	3-3/16"	KR-75-2	3-11/16"	KR-100-2	4-3/16"	KR-150-2	5-3/16"
K-50-3	4-11/16"	K-75-3	5-7/16"	K-100-3	6-3/16"	K-150-3	7-11/16"
KR-50-3	4-11/16"	KR-75-3	5-7/16"	KR-100-3	6-3/16"	KR-150-3	7-11/16"
K-50-4	6-3/16"	K-75-4	7-3/16"	K-100-4	8-3/16"	K-150-4	10-3/16"
KR-50-4	6-3/16"	KR-75-4	7-3/16"	KR-100-4	8-3/16"	KR-150-4	10-3/16"
K-50-6	9-3/16"	K-75-6	10-11/16"	K-100-6	12-3/16"	K-150-6	15-3/16"
K-50-8	12-3/16"	K-75-8	14-3/16"	K-100-8	16-3/16"	K-150-8	20-3/16"
K-50-10	15-3/16"	K-75-10	17-11/16"	K-100-10	20-3/16"	K-150-10	25-3/16"

To maintain KEES' policy of continuous product improvement, we reserve the right to change prices, specifications, ratings or dimensions without notice or obligation.

Project				Location		
Engineer				 KEES INCORPORATED 400 S. Industrial Dr. • P.O. Box L Elkhart Lake, WI 53020 Phone: (920) 876-3391 Fax: (920) 876-3065 Website: www.kees.com		
Architect		Dwg. No.	SD-OPT. 11			
Contractor		Date	03/04			