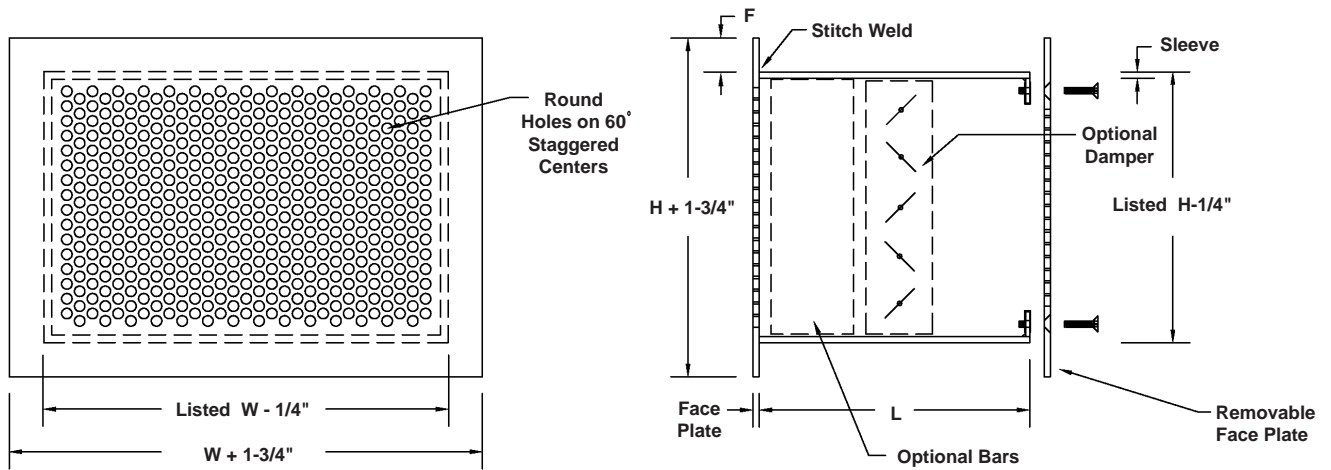


SEG-9TG SECURITY TRANSFER GRILLE - REMOVABLE FACE



STANDARD CONSTRUCTION

Face: 3/16" thick steel stitch welded to sleeve. 1" face flange.
Hole Pattern: 5/16" diameter holes on 7/16" staggered centers.
Sleeve: 3/16" steel with continuously welded or formed seams.
Finish: Two part polyurethane inside and out. White.

REQUIRED CONSTRUCTION:

- Face Material:** 3/16" steel (Std.)
 10 ga. steel
 12 ga. steel
 Other _____
- Hole Pattern:** 5/16" dia. holes on 7/16" centers (Std.)
 1/4" dia. holes on 3/8" centers
 Other _____
- Flange "F":** 1" (Std.)
 Other _____
- Sleeve Material:** 3/16" steel (Std.)
 10 ga. steel
 12 ga. steel
 14 ga. steel
 Other _____
- Finish:** White (Std.)
 Other _____
- Other Material:** **SEG-9TGA** all aluminum construction
 3/16" or 1/8" thick.
- SEG-9TGSS** all stainless steel construction
 10 ga. type 304.

MOUNTING OPTIONS:


- 26.** Countersunk screw holes in removable face 10" o.c. with #10-24 x 1" long Torx security machine screws. Screws thread into foldover nuts 10 ga. steel internal flange stitch welded to sleeve.

ACCESSORIES:

- 16F.** Opposed blade damper tack welded into sleeve. Operable through fixed face using flat bladed screwdriver.
- 16R.** Opposed blade damper tack welded into sleeve. Operable through removable face using flat bladed screwdriver.
- 21.** 2-1/2" x 3/8" hot rolled steel vertical security bars 4" o.c., welded to sleeve.
- Other:** _____

Qty.	Listed Size		Sleeve O.D.		Masonry Opening		Sleeve Length L	Wall Thickness	Accessories	Mounting	Tag
	W	H	W	H	W	H					

To maintain KEES' policy of continuous product improvement, we reserve the right to change prices, specifications, ratings or dimensions without notice or obligation.

Project				Location			
Architect / Engineer				<div style="text-align: center;">  <p>KEES INCORPORATED Elkhart Lake, WI 53020 Phone: (920) 876-3391 Fax: (920) 876-3065 Website: www.kees.com</p> </div>			
Contractor		Dwg. No.	SEG-9TGw 06/10/08				
Representative		Date					