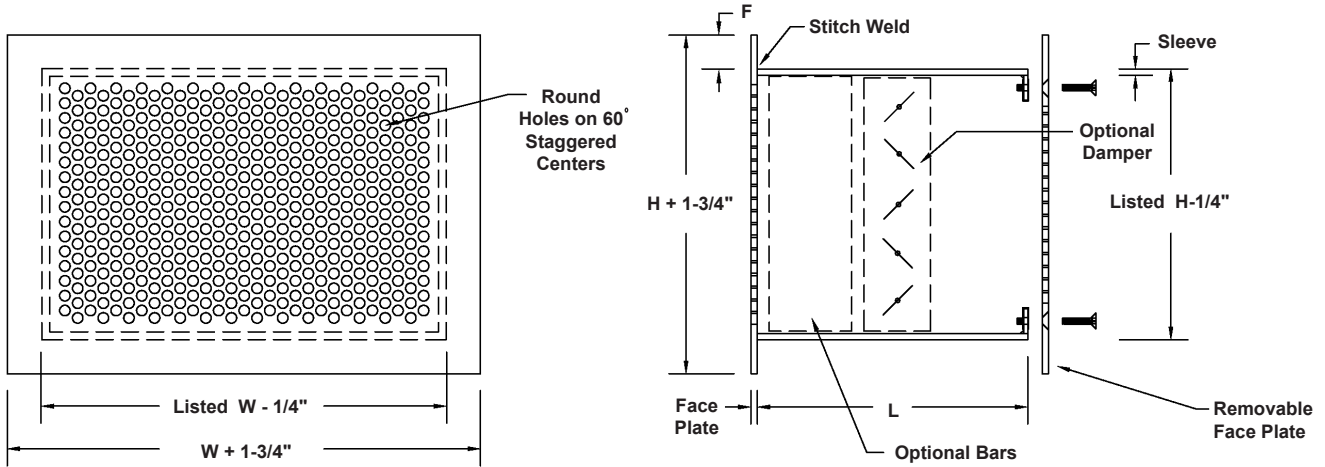


# SEG-9SP3TG SECURITY TRANSFER GRILLE – REMOVABLE FACE

Complies with NIC recommendations and California BoP Title 24



**STANDARD CONSTRUCTION**

**Face:** 3/16" thick steel stitch welded to sleeve. 1" face flange.  
**Hole Pattern:** 3/16" diameter holes on 9/32" staggered centers.  
**Sleeve:** 3/16" steel with continuously welded seams.  
**Finish:** Two part polyurethane inside and out. White.

**REQUIRED CONSTRUCTION:**

- Face Material:**  3/16" steel (Std.)  
 10 ga. steel  
 12 ga. steel  
 Other \_\_\_\_\_
- Hole Pattern:**  3/16" dia. holes on 9/32" centers (Std.)  
 Other \_\_\_\_\_
- Flange "F":**  1" (Std.)  
 Other \_\_\_\_\_
- Sleeve Material:**  3/16" steel (Std.)  
 10 ga. steel  
 12 ga. steel  
 Other \_\_\_\_\_
- Finish:**  White (Std.)  
 Other \_\_\_\_\_

**MOUNTING OPTIONS:**

- 26.** Countersunk screw holes in removable face 10" o.c. with #10-24 x 1" long Torx security machine screws. Screws thread into foldover nuts 10 ga. steel internal flange stitch welded to sleeve.

**ACCESSORIES:**

- 16F.** Opposed blade damper tack welded into sleeve. operable through fixed face..
- 16R.** Opposed blade damper tack welded into sleeve, operable through removable face.
- 21.** 2-1/2" x 3/8" hot rolled steel vertical security bars 4" o.c., welded to sleeve.
- Other:** \_\_\_\_\_  
 \_\_\_\_\_  
 \_\_\_\_\_

**For sizes over 18" x 18" see  
 Drawing No. SEG-9SP3TG**

Qty.	Listed Size		Sleeve O.D.		Masonry Opening		Sleeve Length L	Wall Thickness	Mounting	Accessories	Tag
	W	H	W	H	W	H					

To maintain KEES' policy of continuous product improvement, we reserve the right to change prices, specifications, ratings or dimensions without notice or obligation.

<b>Project</b>		<b>Location</b>	
<b>Architect / Engineer</b>			
<b>Contractor</b>	<b>Dwg. No.</b>	SEG-9SP31TG 06/10/08	
<b>Representative</b>	<b>Date</b>		

**KEES INCORPORATED**  
 400 S. Industrial Dr. • P.O. Box L  
 Elkhart Lake, WI 53020  
 Phone: (920) 876-3391  
 Fax: (920) 876-3065  
 Website: www.kees.com