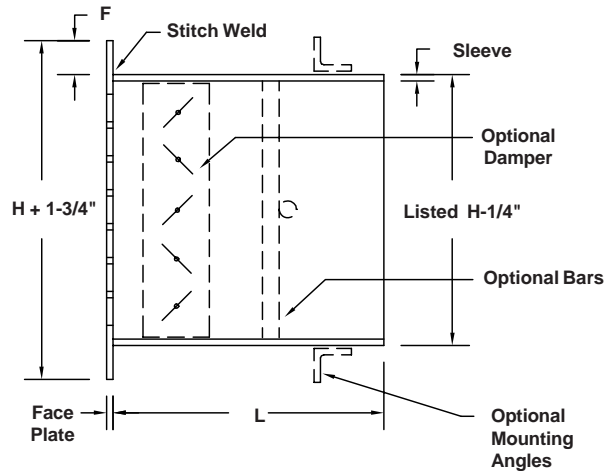
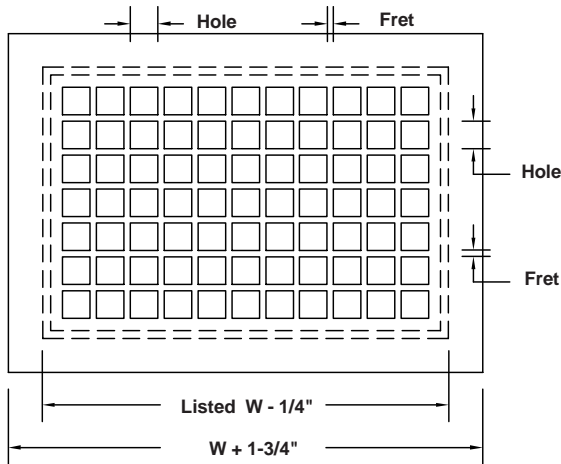


# SEG-8 SECURITY GRILLE – SUPPLY OR RETURN



**STANDARD CONSTRUCTION**

**Face:** 14 ga. steel stitch welded to sleeve. 1" face flange.  
**Hole Pattern:** 3/4" square holes with 1/4" frets.  
**Sleeve:** 14 ga. steel with continuously welded or formed seams.  
**Finish:** Two part polyurethane inside and out. White.

**REQUIRED CONSTRUCTION:**

- Face Material:**  14 ga. steel (Std.)  
 12 ga. steel  
 10 ga. steel  
 Other \_\_\_\_\_
- Hole Pattern:**  3/4" square holes with 1/4" frets (Std.)  
 13/16" square holes with 3/16" frets  
 1/2" square holes with 3/16" frets  
 Other \_\_\_\_\_
- Flange "F":**  1" (Std.)  
 Other \_\_\_\_\_
- Sleeve Material:**  14 ga. steel (Std.)  
 12 ga. steel  
 10 ga. steel  
 Other \_\_\_\_\_
- Finish:**  White (Std.)  
 Other \_\_\_\_\_
- Other Material:**  **SEG-8A** all aluminum construction 1/8" thick.  
 **SEG-8SS** all stainless steel construction 14 ga. type 304.

**MOUNTING OPTIONS:**

- 11A.** Two loose pieces of 1" x 1" x 1/8" mill finish steel angle loose for field welding. Length equal to longest side of grille. Other angle size \_\_\_\_\_
- 11B.** Rear angle frame of 1" x 1" x 1/8" mill finish steel completely assembled for field welding. Other angle size \_\_\_\_\_
- 12A.** Rear angle frame for bolting to sleeve. 1" x 1" x 1/8" steel with bolt holes 8" o.c. for 1/4" dia. bolts. No holes in sleeve. No bolts, nuts or washers. Other angle size \_\_\_\_\_
- 12B.** Rear angle frame for bolting to sleeve. 1" x 1" x 1/8" steel with bolt holes in sleeve and frame 8" o.c. for 1/4" dia. bolts. No bolts, nuts or washers. (Advise wall or ceiling thickness). Other angle size \_\_\_\_\_
- 23.** Masonry anchors: 1/2" x 3" Anchors 16" o.c., one per side minimum, welded to sleeve exterior. Other size or spacing \_\_\_\_\_
- 24.** Countersunk screw holes in face 10" o.c. with #10-24 x 2" long Torx security machine screws for 1-1/2" maximum ceiling thickness. 1" x 1" x 1/8" steel angle frame with matching holes and foldover nuts. Requires 1-1/2" flange.
- 25.** Countersunk screw holes in face 10" o.c. with #10 x 1-1/2" long Torx security sheet metal screws. Other screw length \_\_\_\_\_

**ACCESSORIES:**

- 16F.** Face operated opposed blade damper tack welded into sleeve.
- 16R.** Rear operated opposed blade damper tack welded into sleeve.
- 19.** 1/2" dia. A-36 mild steel security bars 6" o.c. both ways, welded to sleeve and at intersections.
- Other:** \_\_\_\_\_

Qty.	Listed Size		Sleeve O.D.		Masonry Opening		Sleeve Length L	Wall Thickness	Accessories	Mounting Option	Tag
	W	H	W	H	W	H					

To maintain KEES' policy of continuous product improvement, we reserve the right to change prices, specifications, ratings or dimensions without notice or obligation.

<b>Project</b>	<b>Location</b>		
<b>Architect / Engineer</b>			
<b>Contractor</b>	<b>Dwg. No.</b>	<b>SEG-8W 03/29/06</b>	
<b>Representative</b>	<b>Date</b>		

**KEES INCORPORATED**  
 400 S. Industrial Dr. • P.O. Box L  
 Elkhart Lake, WI 53020  
 Phone: (920) 876-3391  
 Fax: (920) 876-3065  
 Website: www.kees.com