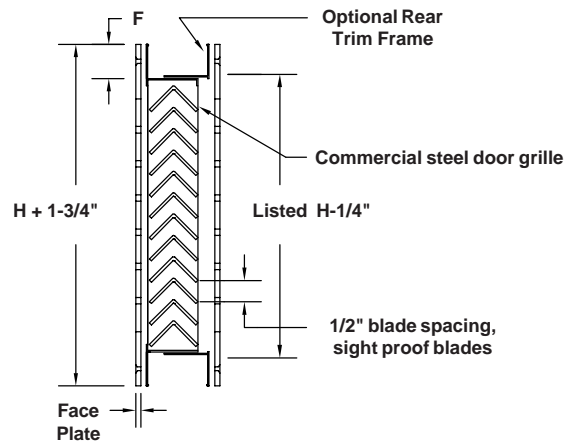
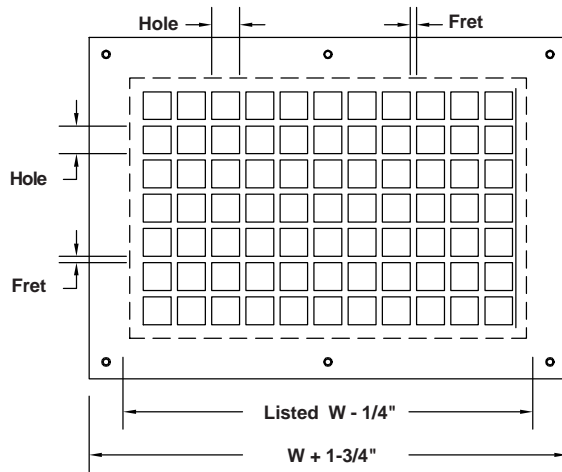


SEG-4DG SECURITY DOOR GRILLE



STANDARD CONSTRUCTION

Faces: Two 12 ga. steel face plates covering commercial steel door grille. 1" face flange.

Hole Pattern: 13/16" square holes with 3/16" frets.

Finish: Two part polyurethane on face plates. White.

REQUIRED CONSTRUCTION:

Face Material: 12 ga. steel (Std.)
 14 ga. steel
 10 ga. steel
 Other _____

Hole Pattern: 13/16" square holes with 3/16" frets (Std.)
 3/4" square holes with 1/4" frets
 1/2" square holes with 3/16" frets
 5/16" round holes on 7/16" staggered centers
 Other _____

Flange "F": 1" (Std.)
 Other _____

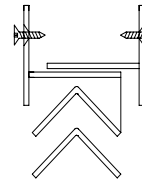
Finish: White (Std.)
 Other _____

Other Material: SEG-4DGA aluminum construction.
 SEG-4DGSS stainless steel construction

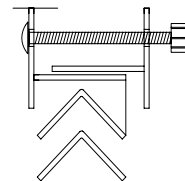
MOUNTING OPTIONS:

Rear Trim Frame: Same material and thickness as commercial grille.

25. Countersunk screw holes in face 10" o.c. with #10 x 1/2" long Torx security sheet metal screws. Other screw length _____



35. Straight screw holes in face 10" o.c. with #10-24 x 2" long carriage bolts and Nylock nuts.



Other: _____

Qty.	Listed Size		Sleeve O.D.		Door Opening		Grille Thickness	Door Thickness	Trim Frame	Mounting Option	Tag
	W	H	W	H	W	H					

To maintain KEES' policy of continuous product improvement, we reserve the right to change prices, specifications, ratings or dimensions without notice or obligation.

Project		Location	
Architect / Engineer			
Contractor		Dwg. No.	SEG-4DGW 07/13/04
Representative		Date	

KEES INCORPORATED
 400 S. Industrial Dr. • P.O. Box L
 Elkhart Lake, WI 53020
 Phone: (920) 876-3391
 Fax: (920) 876-3065
 Website: www.kees.com