



SECURITY ACCESS PANELS

STANDARD SECURITY ACCESS PANEL

MODEL SSAP

MATERIAL: 12 gauge steel door and frame.

OPTIONS:

- Paintable galvanized steel.
- Stainless steel.

HINGE: Concealed continuous piano hinge.

LATCH: Pinned allen head security cam latch.

OPTIONS:

- Key operated cylinder lock cam latch.
- Key operated cylinder dead bolt lock.
- Prep for cylinder lock by others.
- Detention lock.
- Prep for detention lock by others.

MOUNTING: 1/4" mounting holes in frame.

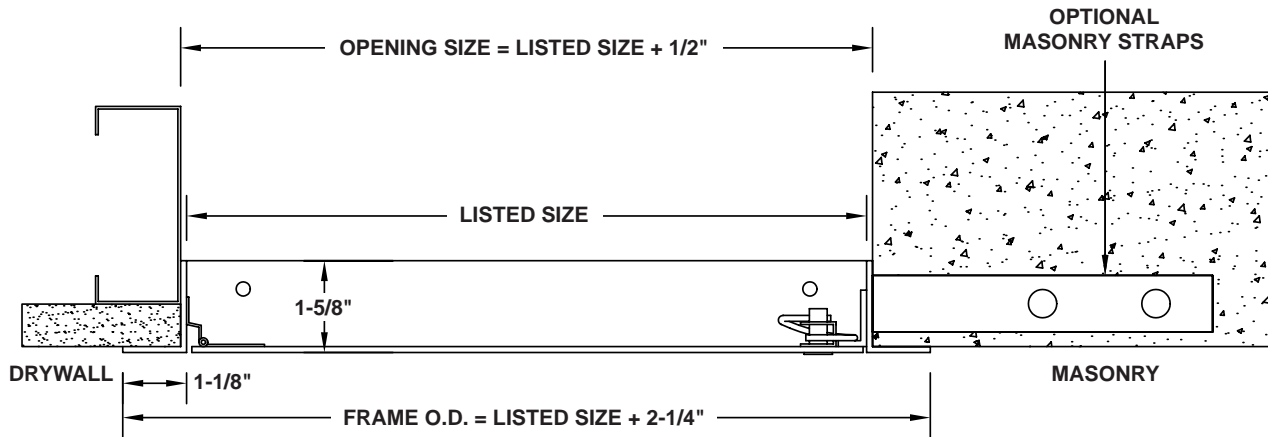
OPTION:

- Factory installed masonry anchors.

FINISH: Two part polyurethane primer/white finish coat.


OPTION:

- Satin polish on stainless steel.



Qty.	Door Size		Frame O.D.		Wall Opening		No. of Latches	Options	Tag
	Width	Height	Width	Height	Width	Height			
	8	8	10-1/4	10-1/4	8-1/2	8-1/2	1		
	10	10	12-1/4	12-1/4	10-1/2	10-1/2	1		
	12	12	14-1/4	14-1/4	12-1/2	12-1/2	1		
	14	14	16-1/4	16-1/4	14-1/2	14-1/2	1		
	16	16	18-1/4	18-1/4	16-1/2	16-1/2	1		
	18	18	20-1/4	20-1/4	18-1/2	18-1/2	1		
	24	24	26-1/4	26-1/4	24-1/2	24-1/2	4		
	24	36	26-1/4	38-1/4	24-1/2	36-1/2	5		
	24	48	26-1/4	50-1/4	24-1/2	48-1/2	5		
	30	30	32-1/4	32-1/4	30-1/2	30-1/2	5		
	36	36	38-1/4	38-1/4	36-1/2	36-1/2	5		
	36	48	38-1/4	50-1/4	36-1/2	48-1/2	5		

To maintain KEES' policy of continuous product improvement, we reserve the right to change prices, specifications, ratings or dimensions without notice or obligation.

Project		Location		
Engineer				
Architect		Dwg. No.	SD-SSAP	 KEES INCORPORATED 400 S. Industrial Dr. • P.O. Box L Elkhart Lake, WI 53020 Phone: (920) 876-3391 Fax: (920) 876-3065 Website: www.kees.com
Contractor		Date	10/09	



SECURITY ACCESS PANELS

HIGH SECURITY ACCESS PANEL

MODEL HSAP

MATERIAL: 10 gauge steel door,
2" x 2" x 1/8" angle frame
and 1" x 1" x 1/8" angle door stop.

HINGE: 4" x 4" heavy duty butt hinges.

LATCH: Key operated cylinder dead bolt lock.

OPTIONS:

Detention lock.

Prep for cylinder lock by others.

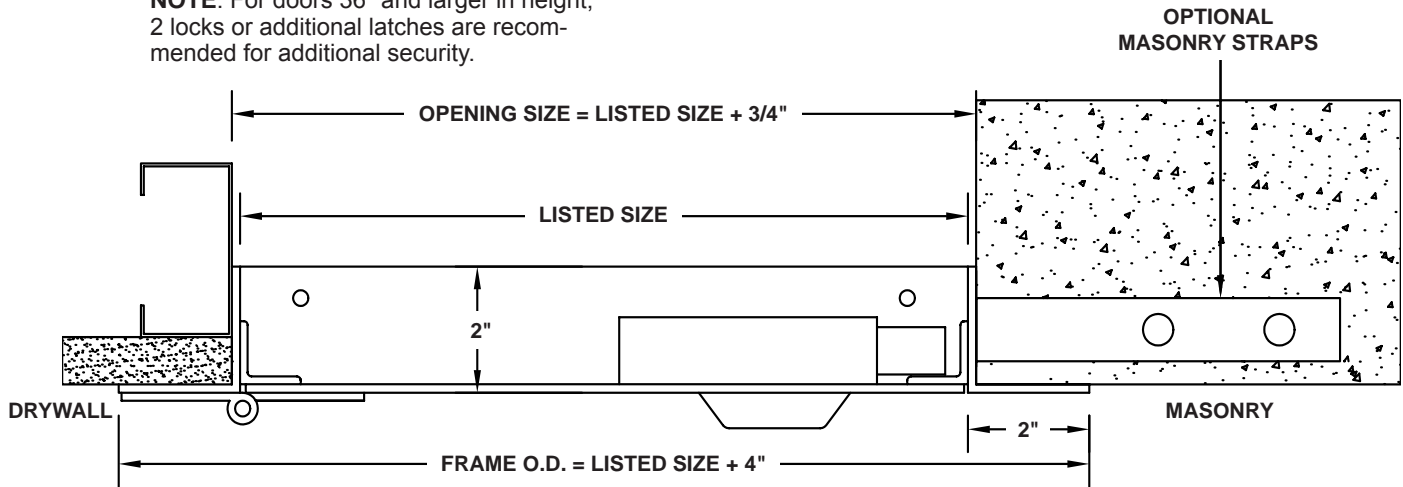
Prep for detention lock by others.

NOTE: For doors 36" and larger in height,
2 locks or additional latches are recom-
mended for additional security.

MOUNTING: 1/4" mounting holes in frame.

OPTION: Factory installed masonry anchors.

FINISH: Two part polyurethane primer/white finish coat.



Qty.	Door Size		Frame O.D.		Wall Opening		Qty. of		Latch	Latch Hand	Options	Tag
	Width	Height	Width	Height	Width	Height	Hinges	Straps				
	8	8	12	12	8-3/4	8-3/4	2					
	10	10	14	14	10-3/4	10-3/4	2					
	12	12	16	16	12-3/4	12-3/4	2					
	14	14	18	18	14-3/4	14-3/4	2					
	16	16	20	20	16-3/4	16-3/4	2					
	18	18	22	22	18-3/4	18-3/4	2					
	24	24	28	28	24-3/4	24-3/4	2					
	24	36	28	40	24-3/4	36-3/4	2					
	24	48	28	52	24-3/4	48-3/4	3					
	30	30	34	34	30-3/4	30-3/4	2					
	36	36	40	40	36-3/4	36-3/4	2					
	36	48	40	52	36-3/4	48-3/4	3					

To maintain KEES' policy of continuous product improvement, we reserve the right to change prices, specifications, ratings or dimensions without notice or obligation.

Project		Location	
Engineer			
Architect		Dwg. No.	SD-HSAP
Contractor		Date	10/09

KEES INCORPORATED
 400 S. Industrial Dr. • P.O. Box L
 Elkhart Lake, WI 53020
 Phone: (920) 876-3391
 Fax: (920) 876-3065
 Website: www.kees.com



SECURITY ACCESS PANELS

MAXIMUM SECURITY ACCESS PANEL

MODEL MSAP

MATERIAL: 7 gauge steel door,
2" x 3" x 3/16" angle frame
and 1" x 1" x 1/8" angle door stop.

HINGE: 4" x 4" heavy duty butt hinges.

LATCH: Key operated cylinder dead bolt lock.

OPTIONS:

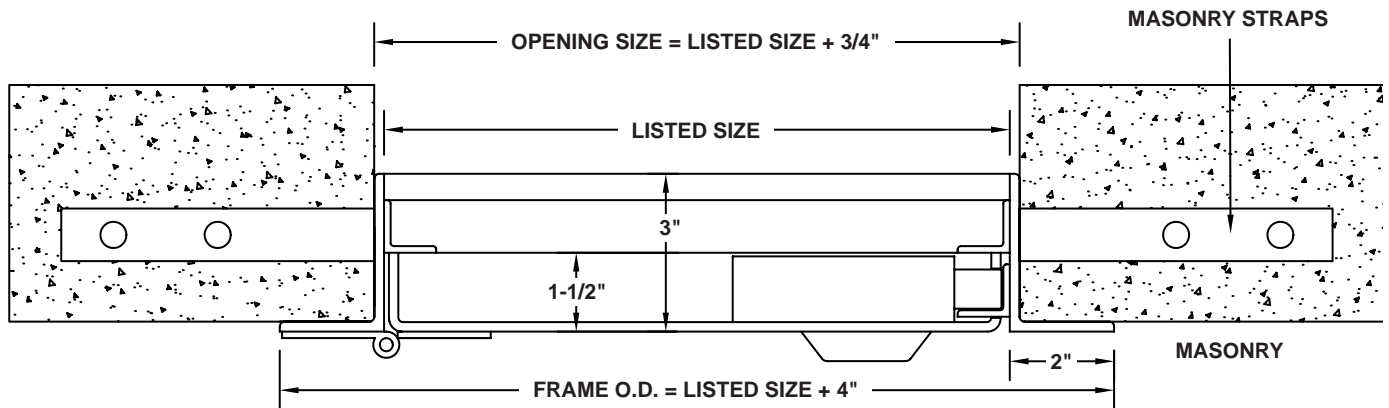
Detention lock.

Prep for cylinder lock by others.

Prep for detention lock by others.


MOUNTING: Factory installed masonry anchors.

FINISH: Two part polyurethane primer/white finish coat.



Qty.	Door Size		Frame O.D.		Wall Opening		Qty. of		Latch	Latch Hand	Options	Tag
	Width	Height	Width	Height	Width	Height	Hinges	Straps				
	8	8	12	12	8-3/4	8-3/4	2	4				
	10	10	14	14	10-3/4	10-3/4	2	4				
	12	12	16	16	12-3/4	12-3/4	2	4				
	14	14	18	18	14-3/4	14-3/4	2	4				
	16	16	20	20	16-3/4	16-3/4	2	4				
	18	18	22	22	18-3/4	18-3/4	2	4				
	24	24	28	28	24-3/4	24-3/4	2	4				
	24	36	28	40	24-3/4	36-3/4	2	6				
	24	48	28	52	24-3/4	48-3/4	3	6				
	30	30	34	34	30-3/4	30-3/4	2	4				
	36	36	40	40	36-3/4	36-3/4	2	8				
	36	48	40	52	36-3/4	48-3/4	3	8				

To maintain KEES' policy of continuous product improvement, we reserve the right to change prices, specifications, ratings or dimensions without notice or obligation.

Project				Location					
Engineer				 KEES INCORPORATED 400 S. Industrial Dr. • P.O. Box L Elkhart Lake, WI 53020 Phone: (920) 876-3391 Fax: (920) 876-3065 Website: www.kees.com					
Architect								Dwg. No.	SD-MSAP
Contractor								Date	10/09