



# SECURITY ACCESS PANELS

## STANDARD SECURITY ACCESS PANEL MODEL SSP

**MATERIAL:** 12 gauge steel door and frame.

**OPTIONS:**

- Paintable galvanized steel.
- Stainless steel.

**HINGE:** Concealed continuous piano hinge.

**LATCH:** Pinned allen head security cam latch.

**OPTIONS:**

- Key operated cylinder lock cam latch.
- Key operated cylinder dead bolt lock.
- Prep for cylinder lock by others.
- Detention lock.
- Prep for detention lock by others.

**MOUNTING:** 1/4" mounting holes in frame.

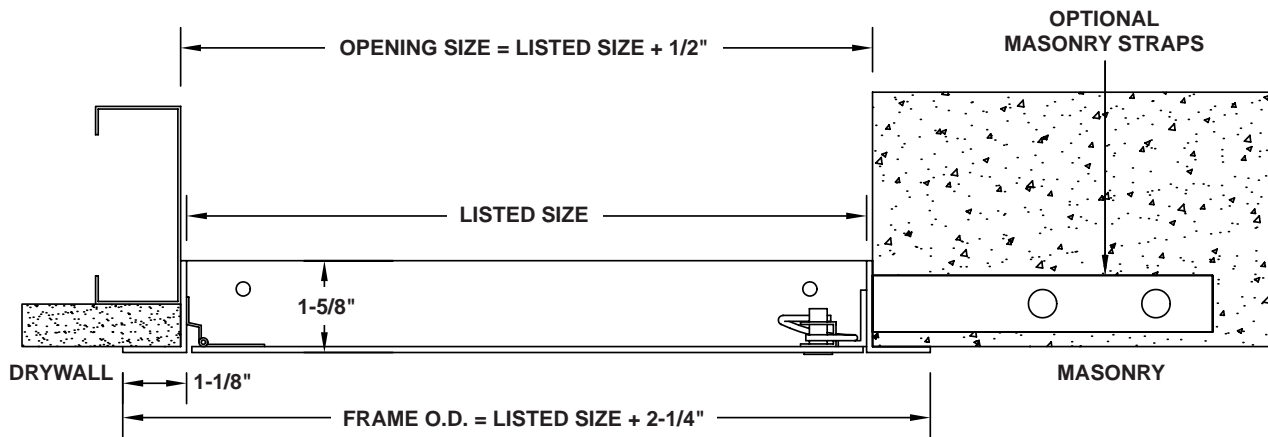
**OPTION:**

- Factory installed masonry anchors.

**FINISH:** Two part polyurethane primer/white finish coat.

**OPTION:**

- Satin polish on stainless steel.



QTY.	DOOR SIZE		FRAME O.D.		WALL OPENING		NO. OF LATCHES	OPTIONS
	Width	Height	Width	Height	Width	Height		
	8	8	10-1/4	10-1/4	8-1/2	8-1/2	1	
	10	10	12-1/4	12-1/4	10-1/2	10-1/2	1	
	12	12	14-1/4	14-1/4	12-1/2	12-1/2	1	
	14	14	16-1/4	16-1/4	14-1/2	14-1/2	1	
	16	16	18-1/4	18-1/4	16-1/2	16-1/2	1	
	18	18	20-1/4	20-1/4	18-1/2	18-1/2	1	
	24	24	26-1/4	26-1/4	24-1/2	24-1/2	4	
	24	36	26-1/4	38-1/4	24-1/2	36-1/2	5	
	24	48	26-1/4	50-1/4	24-1/2	48-1/2	5	
	30	30	32-1/4	32-1/4	30-1/2	30-1/2	5	
	36	36	38-1/4	38-1/4	36-1/2	36-1/2	5	
	36	48	38-1/4	50-1/4	36-1/2	48-1/2	5	

To maintain KEES' policy of continuous product improvement, we reserve the right to change prices, specifications, ratings or dimensions without notice or obligation.

<b>Project</b>				<b>Location</b>					
<b>Engineer</b>				<b>KEES INCORPORATED</b> 400 S. Industrial Dr. • P.O. Box L Elkhart Lake, WI 53020 Phone: (920) 876-3391 Fax: (920) 876-3065 Website: www.kees.com					
<b>Architect</b>								<b>Dwg. No.</b>	<b>SD-SSP</b>
<b>Contractor</b>								<b>Date</b>	<b>05/08</b>



# SECURITY ACCESS PANELS

## HIGH SECURITY ACCESS PANEL

### MODEL HSP

**MATERIAL:** 10 gauge steel door,  
2" x 2" x 1/8" angle frame  
and 1" x 1" x 1/8" angle door stop.

**HINGE:** 4" x 4" heavy duty butt hinges.

**LATCH:** Key operated cylinder dead bolt lock.

**OPTIONS:**

Detention lock.

Prep for cylinder lock by others.

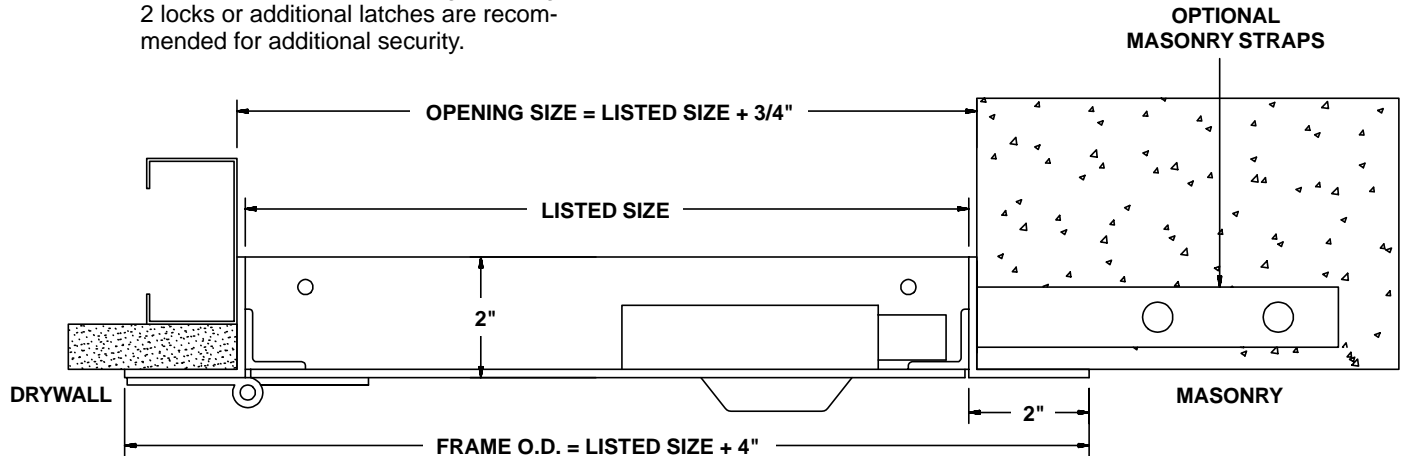
Prep for detention lock by others.

**NOTE:** For doors 36" and larger in height,  
2 locks or additional latches are recom-  
mended for additional security.

**MOUNTING:** 1/4" mounting holes in frame.

**OPTION:** Factory installed masonry anchors.

**FINISH:** Two part polyurethane primer/white finish coat.



QTY.	DOOR SIZE		FRAME O.D.		WALL OPENING		QTY. OF		LATCH	OPTIONS
	Width	Height	Width	Height	Width	Height	Hinges	Straps		
	8	8	12	12	8-3/4	8-3/4	2			
	10	10	14	14	10-3/4	10-3/4	2			
	12	12	16	16	12-3/4	12-3/4	2			
	14	14	18	18	14-3/4	14-3/4	2			
	16	16	20	20	16-3/4	16-3/4	2			
	18	18	22	22	18-3/4	18-3/4	2			
	24	24	28	28	24-3/4	24-3/4	2			
	24	36	28	40	24-3/4	36-3/4	2			
	24	48	28	52	24-3/4	48-3/4	3			
	30	30	34	34	30-3/4	30-3/4	2			
	36	36	40	40	36-3/4	36-3/4	2			
	36	48	40	52	36-3/4	48-3/4	3			

To maintain KEES' policy of continuous product improvement, we reserve the right to change prices, specifications, ratings or dimensions without notice or obligation.

<b>Project</b>		<b>Location</b>	
<b>Engineer</b>			
<b>Architect</b>		<b>Dwg. No.</b>	<b>SD-HSP</b>
<b>Contractor</b>		<b>Date</b>	<b>04/04</b>

**KEES INCORPORATED**  
 400 S. Industrial Dr. • P.O. Box L  
 Elkhart Lake, WI 53020  
 Phone: (920) 876-3391  
 Fax: (920) 876-3065  
 Website: www.kees.com



# SECURITY ACCESS PANELS

## MAXIMUM SECURITY ACCESS PANEL

### MODEL MSP

**MATERIAL:** 7 gauge steel door,  
2" x 3" x 3/16" angle frame  
and 1" x 1" x 1/8" angle door stop.

**HINGE:** 4" x 4" heavy duty butt hinges.

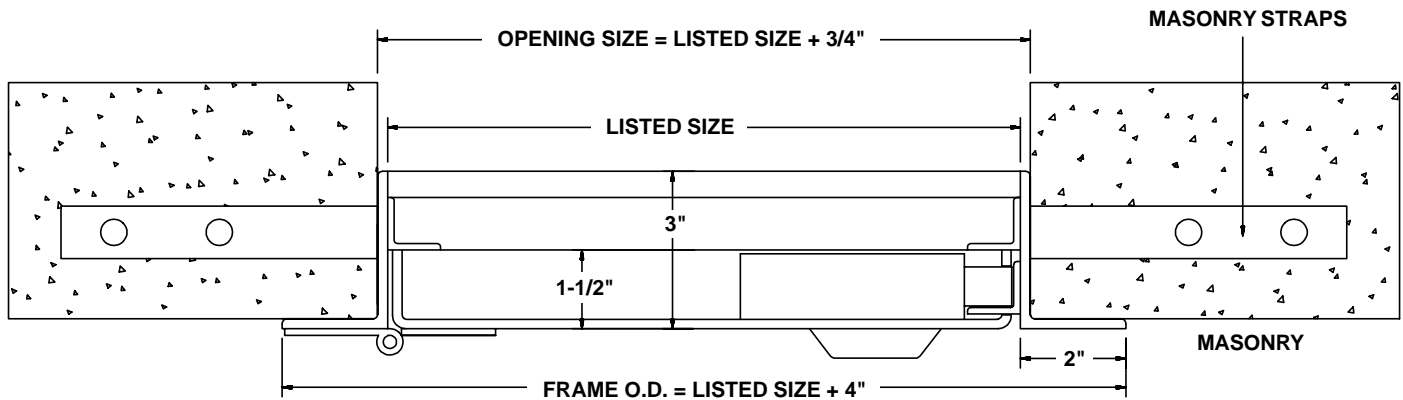
**LATCH:** Key operated cylinder dead bolt lock.

**OPTIONS:**

- Detention lock.
- Prep for cylinder lock by others.
- Prep for detention lock by others.

**MOUNTING:** Factory installed masonry anchors.

**FINISH:** Two part polyurethane primer/white finish coat.



QTY.	DOOR SIZE		FRAME O.D.		WALL OPENING		QTY. OF		LATCH	OPTIONS
	Width	Height	Width	Height	Width	Height	Hinges	Straps		
	8	8	12	12	8-3/4	8-3/4	2	4		
	10	10	14	14	10-3/4	10-3/4	2	4		
	12	12	16	16	12-3/4	12-3/4	2	4		
	14	14	18	18	14-3/4	14-3/4	2	4		
	16	16	20	20	16-3/4	16-3/4	2	4		
	18	18	22	22	18-3/4	18-3/4	2	4		
	24	24	28	28	24-3/4	24-3/4	2	4		
	24	36	28	40	24-3/4	36-3/4	2	6		
	24	48	28	52	24-3/4	48-3/4	3	6		
	30	30	34	34	30-3/4	30-3/4	2	4		
	36	36	40	40	36-3/4	36-3/4	2	8		
	36	48	40	52	36-3/4	48-3/4	3	8		

To maintain KEES' policy of continuous product improvement, we reserve the right to change prices, specifications, ratings or dimensions without notice or obligation.

<b>Project</b>				<b>Location</b>					
<b>Engineer</b>				<b>KEES INCORPORATED</b> 400 S. Industrial Dr. • P.O. Box L Elkhart Lake, WI 53020 Phone: (920) 876-3391 Fax: (920) 876-3065 Website: www.kees.com					
<b>Architect</b>								<b>Dwg. No.</b>	<b>SD-MSP</b>
<b>Contractor</b>								<b>Date</b>	<b>04/04</b>