



# SECURITY ACCESS PANELS

## STANDARD SECURITY ACCESS PANEL

### MODEL SSAP

**MATERIAL:** 12 gauge steel door and frame.

**OPTIONS:**

- Paintable galvanized steel.
- Stainless steel.

**HINGE:** Concealed continuous piano hinge.

**LATCH:** Pinned allen head security cam latch.

**OPTIONS:**

- Key operated cylinder lock cam latch.
- Key operated cylinder dead bolt lock.
- Prep for cylinder lock by others.
- Detention lock.
- Prep for detention lock by others.

**MOUNTING:** 1/4" mounting holes in frame.

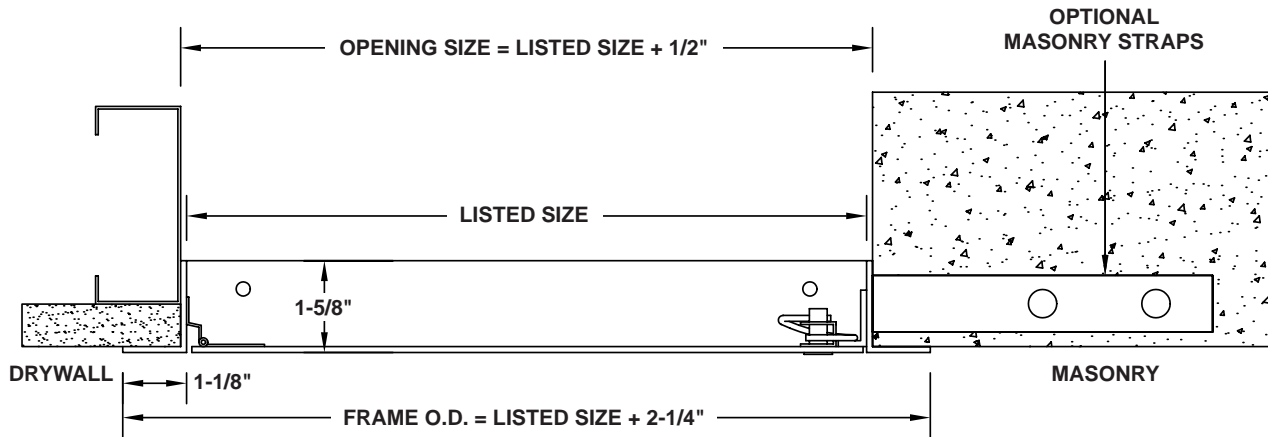
**OPTION:**

- Factory installed masonry anchors.

**FINISH:** Two part polyurethane primer/white finish coat.

**OPTION:**

- Satin polish on stainless steel.



| Qty. | Door Size |        | Frame O.D. |        | Wall Opening |        | No. of Latches | Options | Tag |
|------|-----------|--------|------------|--------|--------------|--------|----------------|---------|-----|
|      | Width     | Height | Width      | Height | Width        | Height |                |         |     |
|      | 8         | 8      | 10-1/4     | 10-1/4 | 8-1/2        | 8-1/2  | 1              |         |     |
|      | 10        | 10     | 12-1/4     | 12-1/4 | 10-1/2       | 10-1/2 | 1              |         |     |
|      | 12        | 12     | 14-1/4     | 14-1/4 | 12-1/2       | 12-1/2 | 1              |         |     |
|      | 14        | 14     | 16-1/4     | 16-1/4 | 14-1/2       | 14-1/2 | 1              |         |     |
|      | 16        | 16     | 18-1/4     | 18-1/4 | 16-1/2       | 16-1/2 | 1              |         |     |
|      | 18        | 18     | 20-1/4     | 20-1/4 | 18-1/2       | 18-1/2 | 1              |         |     |
|      | 24        | 24     | 26-1/4     | 26-1/4 | 24-1/2       | 24-1/2 | 4              |         |     |
|      | 24        | 36     | 26-1/4     | 38-1/4 | 24-1/2       | 36-1/2 | 5              |         |     |
|      | 24        | 48     | 26-1/4     | 50-1/4 | 24-1/2       | 48-1/2 | 5              |         |     |
|      | 30        | 30     | 32-1/4     | 32-1/4 | 30-1/2       | 30-1/2 | 5              |         |     |
|      | 36        | 36     | 38-1/4     | 38-1/4 | 36-1/2       | 36-1/2 | 5              |         |     |
|      | 36        | 48     | 38-1/4     | 50-1/4 | 36-1/2       | 48-1/2 | 5              |         |     |
|      |           |        |            |        |              |        |                |         |     |
|      |           |        |            |        |              |        |                |         |     |

To maintain KEES' policy of continuous product improvement, we reserve the right to change prices, specifications, ratings or dimensions without notice or obligation.

|                   |  |                 |                |
|-------------------|--|-----------------|----------------|
| <b>Project</b>    |  | <b>Location</b> |                |
| <b>Engineer</b>   |  |                 |                |
| <b>Architect</b>  |  | <b>Dwg. No.</b> | <b>SD-SSAP</b> |
| <b>Contractor</b> |  | <b>Date</b>     | <b>10/09</b>   |

**KEES INCORPORATED**  
 400 S. Industrial Dr. • P.O. Box L  
 Elkhart Lake, WI 53020  
 Phone: (920) 876-3391  
 Fax: (920) 876-3065  
 Website: www.kees.com



# SECURITY ACCESS PANELS

## HIGH SECURITY ACCESS PANEL

### MODEL HSAP

**MATERIAL:** 10 gauge steel door,  
2" x 2" x 1/8" angle frame  
and 1" x 1" x 1/8" angle door stop.

**HINGE:** 4" x 4" heavy duty butt hinges.

**LATCH:** Key operated cylinder dead bolt lock.

**OPTIONS:**

Detention lock.

Prep for cylinder lock by others.

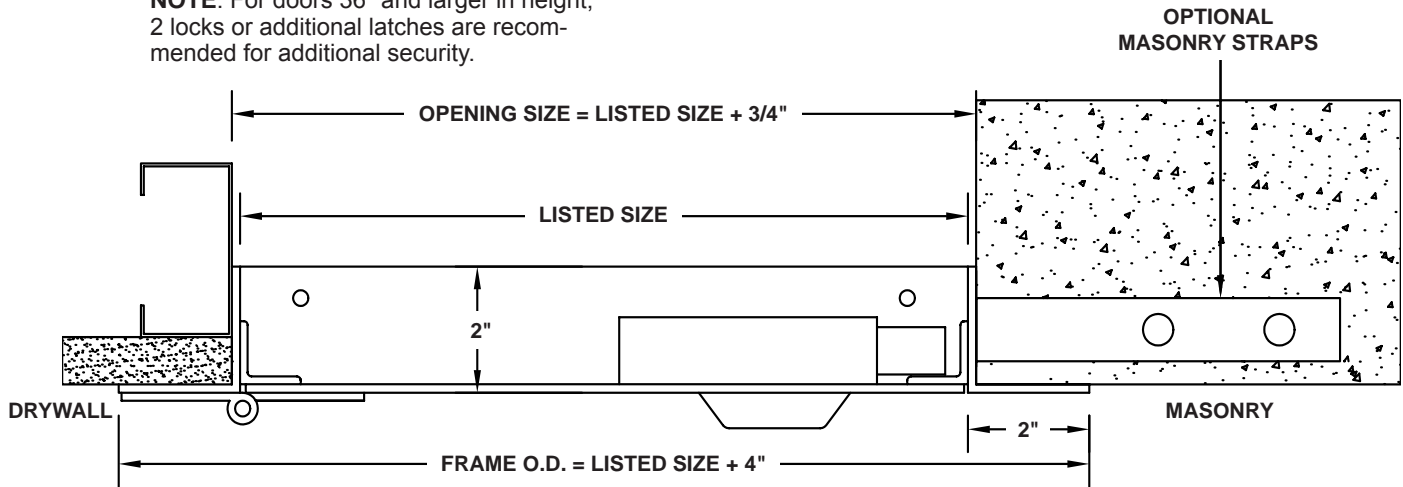
Prep for detention lock by others.

**NOTE:** For doors 36" and larger in height,  
2 locks or additional latches are recom-  
mended for additional security.

**MOUNTING:** 1/4" mounting holes in frame.

**OPTION:** Factory installed masonry anchors.

**FINISH:** Two part polyurethane primer/white finish coat.



**PLAN VIEW - RIGHT HAND SHOWN, LEFT OPPOSITE**

| Qty. | Door Size |        | Frame O.D. |        | Wall Opening |        | Qty. of |        | Latch | Latch Hand | Options | Tag |
|------|-----------|--------|------------|--------|--------------|--------|---------|--------|-------|------------|---------|-----|
|      | Width     | Height | Width      | Height | Width        | Height | Hinges  | Straps |       |            |         |     |
|      | 8         | 8      | 12         | 12     | 8-3/4        | 8-3/4  | 2       |        |       |            |         |     |
|      | 10        | 10     | 14         | 14     | 10-3/4       | 10-3/4 | 2       |        |       |            |         |     |
|      | 12        | 12     | 16         | 16     | 12-3/4       | 12-3/4 | 2       |        |       |            |         |     |
|      | 14        | 14     | 18         | 18     | 14-3/4       | 14-3/4 | 2       |        |       |            |         |     |
|      | 16        | 16     | 20         | 20     | 16-3/4       | 16-3/4 | 2       |        |       |            |         |     |
|      | 18        | 18     | 22         | 22     | 18-3/4       | 18-3/4 | 2       |        |       |            |         |     |
|      | 24        | 24     | 28         | 28     | 24-3/4       | 24-3/4 | 2       |        |       |            |         |     |
|      | 24        | 36     | 28         | 40     | 24-3/4       | 36-3/4 | 2       |        |       |            |         |     |
|      | 24        | 48     | 28         | 52     | 24-3/4       | 48-3/4 | 3       |        |       |            |         |     |
|      | 30        | 30     | 34         | 34     | 30-3/4       | 30-3/4 | 2       |        |       |            |         |     |
|      | 36        | 36     | 40         | 40     | 36-3/4       | 36-3/4 | 2       |        |       |            |         |     |
|      | 36        | 48     | 40         | 52     | 36-3/4       | 48-3/4 | 3       |        |       |            |         |     |
|      |           |        |            |        |              |        |         |        |       |            |         |     |
|      |           |        |            |        |              |        |         |        |       |            |         |     |
|      |           |        |            |        |              |        |         |        |       |            |         |     |

To maintain KEES' policy of continuous product improvement, we reserve the right to change prices, specifications, ratings or dimensions without notice or obligation.

|                   |  |                 |                |
|-------------------|--|-----------------|----------------|
| <b>Project</b>    |  | <b>Location</b> |                |
| <b>Engineer</b>   |  |                 |                |
| <b>Architect</b>  |  | <b>Dwg. No.</b> | <b>SD-HSAP</b> |
| <b>Contractor</b> |  | <b>Date</b>     | <b>04/10</b>   |

**KEES INCORPORATED**  
 400 S. Industrial Dr. • P.O. Box L  
 Elkhart Lake, WI 53020  
 Phone: (920) 876-3391  
 Fax: (920) 876-3065  
 Website: www.kees.com



# SECURITY ACCESS PANELS

## MAXIMUM SECURITY ACCESS PANEL

### MODEL MSAP

**MATERIAL:** 7 gauge steel door,  
2" x 3" x 3/16" angle frame  
and 1" x 1" x 1/8" angle door stop.

**HINGE:** 4" x 4" heavy duty butt hinges.

**LATCH:** Key operated cylinder dead bolt lock.

**OPTIONS:**

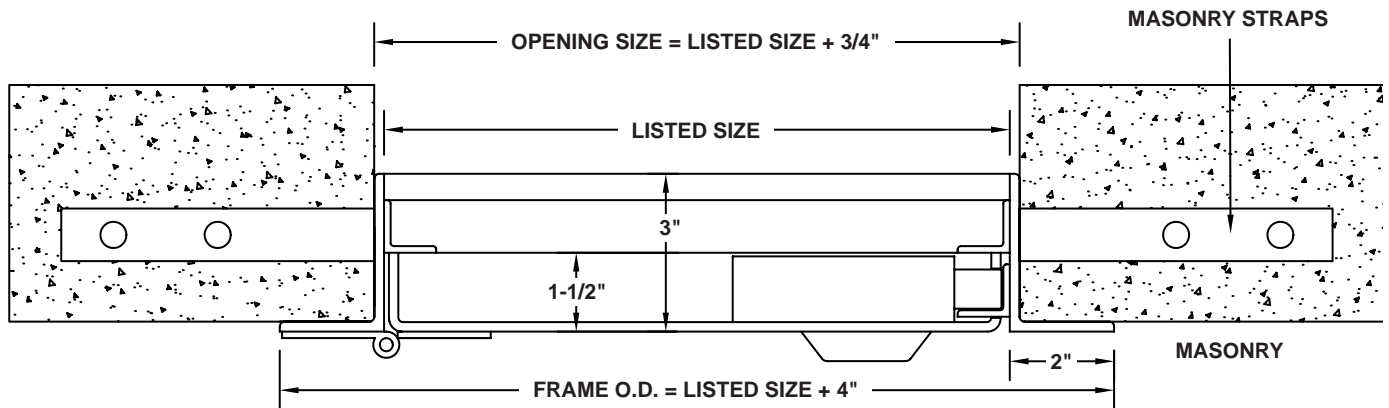
Detention lock.

Prep for cylinder lock by others.

Prep for detention lock by others.

**MOUNTING:** Factory installed masonry anchors.

**FINISH:** Two part polyurethane primer/white finish coat.



**PLAN VIEW - RIGHT HAND SHOWN, LEFT OPPOSITE**

| Qty. | Door Size |        | Frame O.D. |        | Wall Opening |        | Qty. of |        | Latch | Latch Hand | Options | Tag |
|------|-----------|--------|------------|--------|--------------|--------|---------|--------|-------|------------|---------|-----|
|      | Width     | Height | Width      | Height | Width        | Height | Hinges  | Straps |       |            |         |     |
|      | 8         | 8      | 12         | 12     | 8-3/4        | 8-3/4  | 2       | 4      |       |            |         |     |
|      | 10        | 10     | 14         | 14     | 10-3/4       | 10-3/4 | 2       | 4      |       |            |         |     |
|      | 12        | 12     | 16         | 16     | 12-3/4       | 12-3/4 | 2       | 4      |       |            |         |     |
|      | 14        | 14     | 18         | 18     | 14-3/4       | 14-3/4 | 2       | 4      |       |            |         |     |
|      | 16        | 16     | 20         | 20     | 16-3/4       | 16-3/4 | 2       | 4      |       |            |         |     |
|      | 18        | 18     | 22         | 22     | 18-3/4       | 18-3/4 | 2       | 4      |       |            |         |     |
|      | 24        | 24     | 28         | 28     | 24-3/4       | 24-3/4 | 2       | 4      |       |            |         |     |
|      | 24        | 36     | 28         | 40     | 24-3/4       | 36-3/4 | 2       | 6      |       |            |         |     |
|      | 24        | 48     | 28         | 52     | 24-3/4       | 48-3/4 | 3       | 6      |       |            |         |     |
|      | 30        | 30     | 34         | 34     | 30-3/4       | 30-3/4 | 2       | 4      |       |            |         |     |
|      | 36        | 36     | 40         | 40     | 36-3/4       | 36-3/4 | 2       | 8      |       |            |         |     |
|      | 36        | 48     | 40         | 52     | 36-3/4       | 48-3/4 | 3       | 8      |       |            |         |     |
|      |           |        |            |        |              |        |         |        |       |            |         |     |
|      |           |        |            |        |              |        |         |        |       |            |         |     |
|      |           |        |            |        |              |        |         |        |       |            |         |     |

To maintain KEES' policy of continuous product improvement, we reserve the right to change prices, specifications, ratings or dimensions without notice or obligation.

|                   |  |  |  |   |  |  |  |                 |                |
|-------------------|--|--|--|---|--|--|--|-----------------|----------------|
| <b>Project</b>    |  |  |  | <b>Location</b>   |  |  |  |                 |                |
| <b>Engineer</b>   |  |  |  | <b>KEES INCORPORATED</b><br>400 S. Industrial Dr. • P.O. Box L<br>Elkhart Lake, WI 53020<br>Phone: (920) 876-3391<br>Fax: (920) 876-3065<br>Website: www.kees.com |  |  |  |                 |                |
| <b>Architect</b>  |  |  |  |   |  |  |  | <b>Dwg. No.</b> | <b>SD-MSAP</b> |
| <b>Contractor</b> |  |  |  |   |  |  |  | <b>Date</b>     | <b>04/10</b>   |