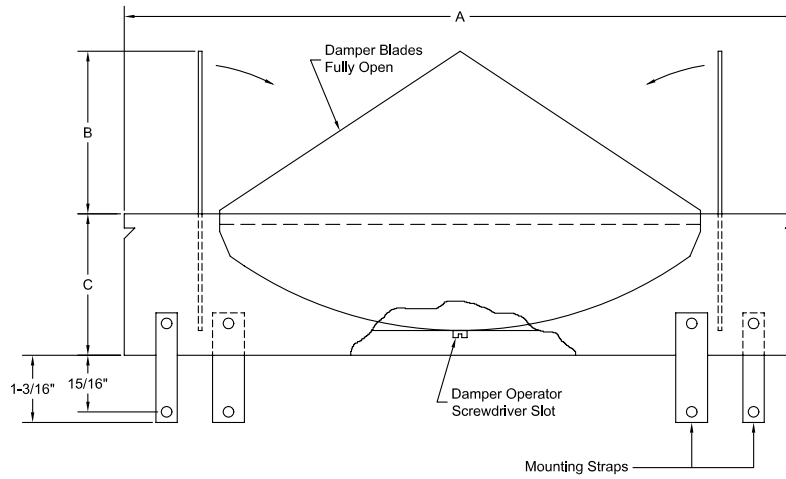
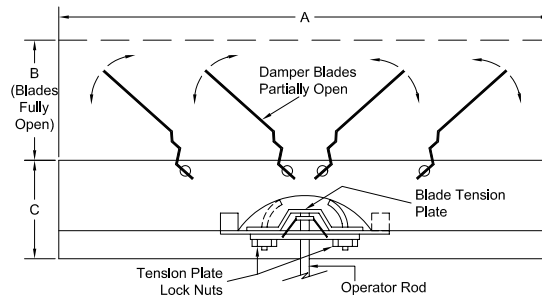


# RADIAL OPPOSED BLADE ROUND DAMPER



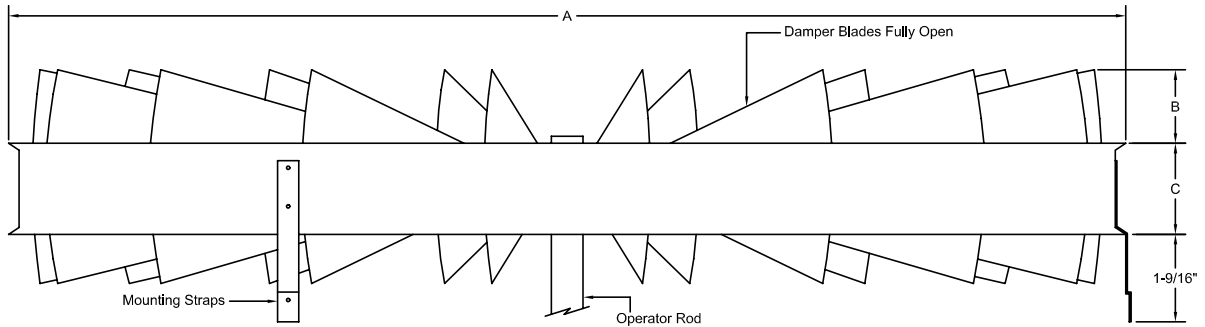
**SIZES 5" - 16"**

MATERIAL: Galvanized Steel FINISH: Mill



**SIZE 18"**

MATERIAL: Steel FINISH: White




**SIZES 20" - 24"**

MATERIAL: Steel FINISH: White

NOMINAL SIZE (Inches)

|      | 5      | 6      | 8      | 10     | 12      | 14      | 15      | 16      | 18      | 20        | 24        |
|------|--------|--------|--------|--------|---------|---------|---------|---------|---------|-----------|-----------|
| Qty. |        |        |        |        |         |         |         |         |         |           |           |
| A    | 4-7/8" | 5-7/8" | 7-7/8" | 9-7/8" | 11-7/8" | 13-7/8" | 14-7/8" | 15-7/8" | 17-7/8" | 19-13/16" | 23-13/16" |
| B    | 1-1/8" | 1-5/8" | 2-1/2" | 2-1/4" | 2-7/8"  | 3-3/8"  | 3-3/4"  | 4-3/8"  | 3"      | 3/4"      | 1-1/4"    |
| C    | 1-5/8" |        |        |        | 2-1/2"  |         |         |         | 1-3/4"  | 1-5/8"    |           |

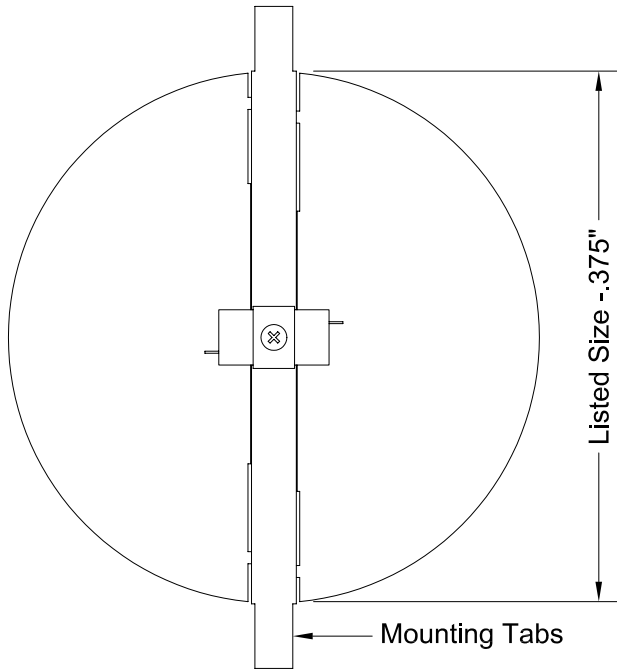
To maintain KEES' policy of continuous product improvement, we reserve the right to change prices, specifications, ratings or dimensions without notice or obligation.

|                   |  |  |  |                 |                |  |  |
|-------------------|--|--|--|-----------------|----------------|--|--|
| <b>Project</b>    |  |  |  | <b>Location</b> |                |  |  |
| <b>Engineer</b>   |  |  |  |                 |                |  |  <b>KEES INCORPORATED</b><br>400 S. Industrial Dr. • P.O. Box L<br>Elkhart Lake, WI 53020<br>Phone: (920) 876-3391<br>Fax: (920) 876-3065<br>Website: www.kees.com |
| <b>Architect</b>  |  |  |  | <b>Dwg. No.</b> | <b>SD-ROBD</b> |  |  |
| <b>Contractor</b> |  |  |  | <b>Date</b>     | <b>03/07</b>   |  |  |

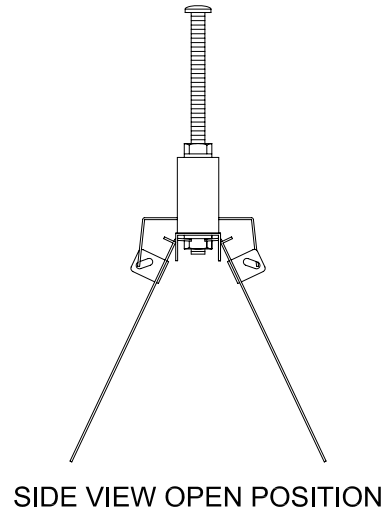
# STAINLESS STEEL ROUND BUTTERFLY DAMPER

## Model SSRBF

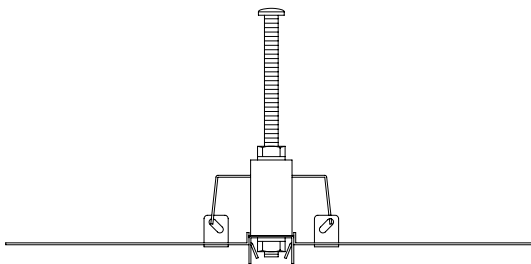
20 Ga. 304 (Standard) or 316 (Optional) Stainless - Mill Finish - Available to 36" Diameter



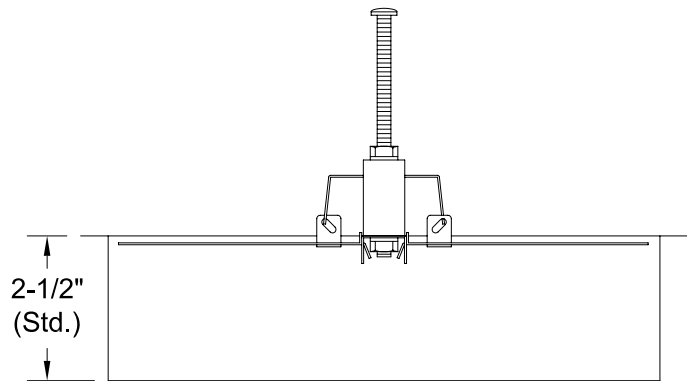
TOP VIEW CLOSED POSITION



SIDE VIEW OPEN POSITION




SIDE VIEW CLOSED POSITION



OPTIONAL ROUND COLLAR

| Quantity | Listed Neck Size (Dia.) | Type S.S. |     | Optional Collar Length | Tag |
|----------|-------------------------|-----------|-----|------------------------|-----|
|          |                         | 304       | 316 |                        |     |
|          |                         |           |     |                        |     |
|          |                         |           |     |                        |     |
|          |                         |           |     |                        |     |
|          |                         |           |     |                        |     |

To maintain KEES' policy of continuous product improvement, we reserve the right to change prices, specifications, ratings or dimensions without notice or obligation.

|                   |  |                 |  |  |  |                 |
|-------------------|--|-----------------|--|--|--|-----------------|
| <b>Project</b>    |  |                 | <b>Location</b>  |  |  |                 |
| <b>Engineer</b>   |  |                 |  <b>KEES INCORPORATED</b><br>400 S. Industrial Dr. • P.O. Box L<br>Elkhart Lake, WI 53020<br>Phone: (920) 876-3391<br>Fax: (920) 876-3065<br>Website: www.kees.com |  |  |                 |
| <b>Architect</b>  |  | <b>Dwg. No.</b> |  |  |  | <b>SD-SSRBF</b> |
| <b>Contractor</b> |  | <b>Date</b>     |  |  |  | <b>04/10</b>    |
|                   |  |                 |  |  |  |                 |