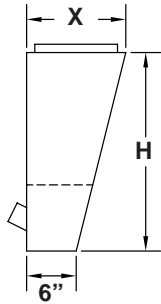
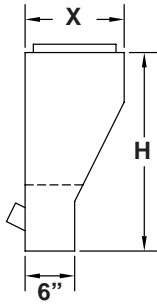


ENERGY SAVING RETRO-FIT KITS

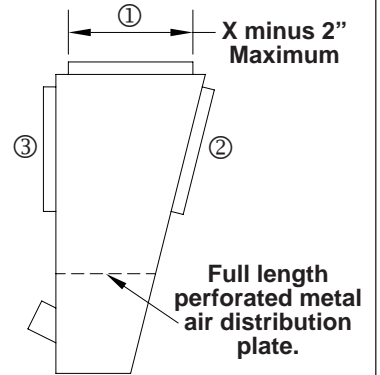
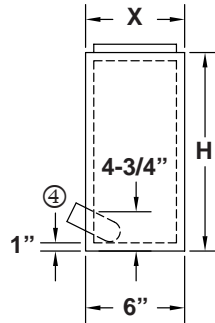
SHAPE A



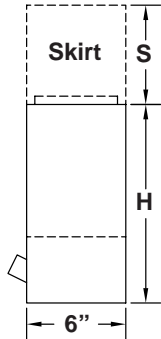
SHAPE B



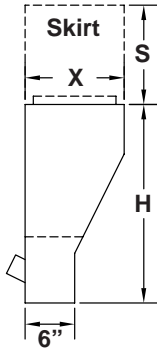
SHAPE G



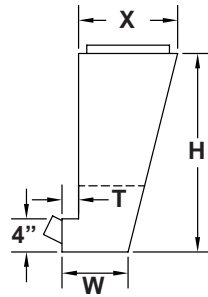
SHAPE D



SHAPE E



SHAPE F



**OPTIONAL AIR INLET LOCATIONS
ROUND OR RECTANGULAR
FIELD OR FACTORY CUT**

If factory-cut opening, advise location ① ② or ③ rectangular with 1 inch collar, or round with 2 inch collar, and provide dimensioned sketch of location. Square or rectangular factory supplied collars include fire damper.

OPTIONS:

- ④ Dimension of 1" can be made larger only.
- ⑤ Optional trim angle for hard ceiling available for all shapes.
- ⑥ Dimension of 4" is minimum.

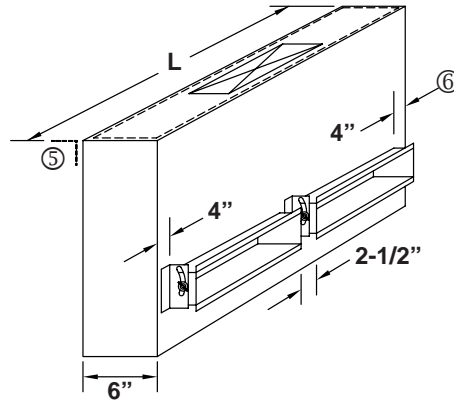
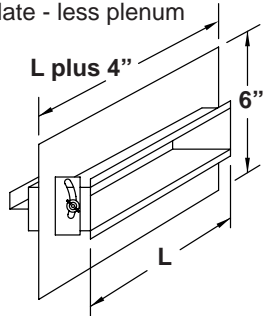
NOTES:

Advise if Shape "G" is to be located on outside ___ or inside ___ of existing hood.

1"-3 lb. density insulation board lining inside all models with sealed aluminum foil face.

SHAPE H

Nozzles on stainless face plate - less plenum



Qty.	Shape	Length L	Height H	X	S	Material of Construction	Paint Color
Factory Installed Collar	No. of Nozzles	Length of Nozzles	CFM Total	Options	T	W	Tag

To maintain KEES' policy of continuous product improvement, we reserve the right to change prices, specifications, ratings or dimensions without notice or obligation.

Project				Location			
Engineer							
Architect			Dwg. No.	SD-RET			
Contractor			Date	05/08			



KEES INCORPORATED
 400 S. Industrial Dr. • P.O. Box L
 Elkhart Lake, WI 53020
 Phone: (920) 876-3391
 Fax: (920) 876-3065
 Website: www.kees.com