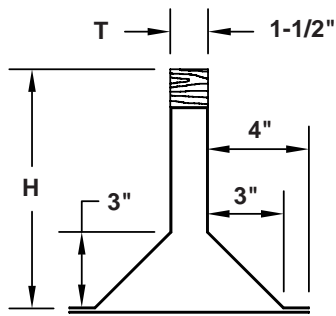
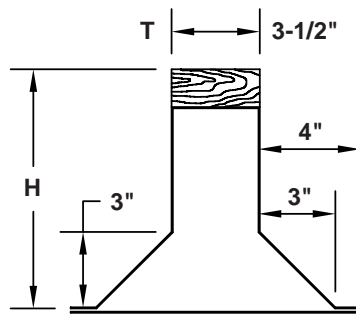


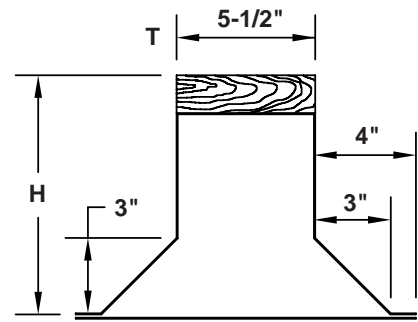
STRAIGHT RAIL EQUIPMENT SUPPORTS



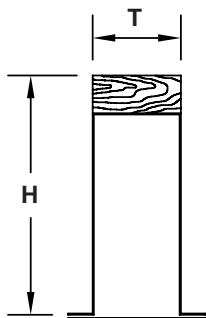
MODEL 15



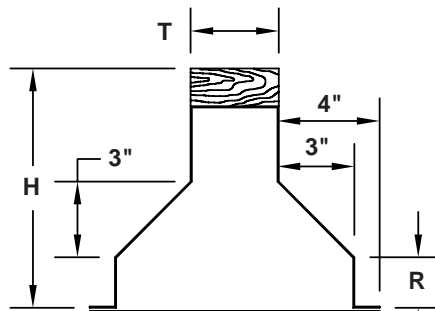
MODEL 35



MODEL 55

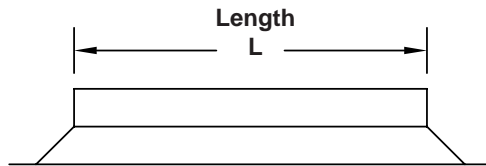
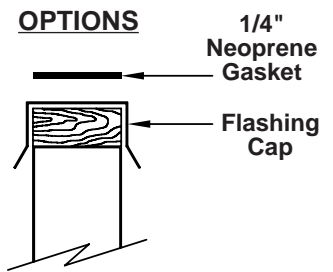


MODEL SF
Self-Flashing
Models Available
In 1-1/2", 3-1/2" & 5-1/2"



MODEL RC
Raised Cant Available
In All Styles

NOTE: Specify "R"
Measurement




Material: 18 GA. Galvanized (Standard)
.063" Aluminum (Available Option)

| QTY. | MODEL | T | H | L | R | WOOD NAILER | FLASHING CAP | NEOPRENE GASKET | GAUGE GALV. | TAG |
|------|-------|---|---|---|---|-------------|--------------|-----------------|-------------|-----|
| | | | | | | | | | | |
| | | | | | | | | | | |
| | | | | | | | | | | |
| | | | | | | | | | | |

SPECIAL:

To maintain KEES' policy of continuous product improvement, we reserve the right to change prices, specifications, ratings or dimensions without notice or obligation.

| | | | | | | | | | | |
|-------------------|--|--|-----------------|---------------|-----------------|--|--|--|--|--|
| Project | | | | | Location | | | | | |
| Engineer | | | | | |  KEES INCORPORATED 400 S. Industrial Dr. • P.O. Box L Elkhart Lake, WI 53020 Phone: (920) 876-3391 Fax: (920) 876-3065 Website: www.kees.com | | | | |
| Architect | | | Dwg. No. | SD-RES | | | | | | |
| Contractor | | | Date | 08/07 | | | | | | |