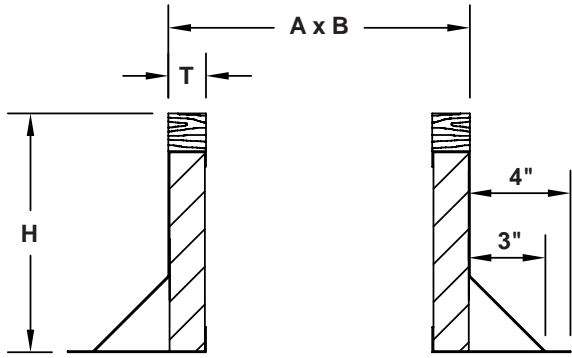
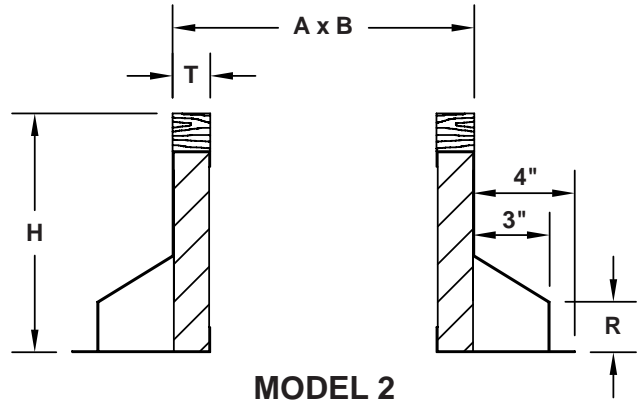


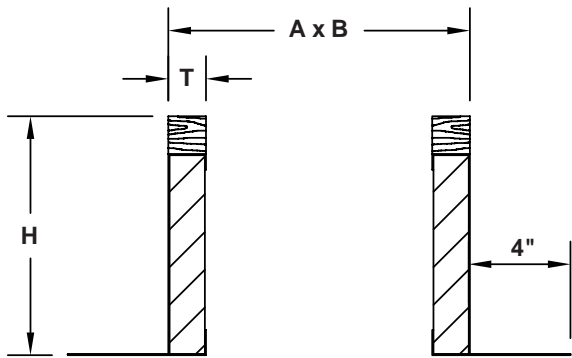
# ROOF CURBS



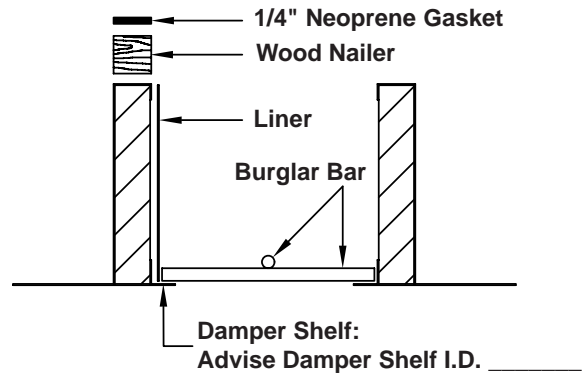
**MODEL 1**



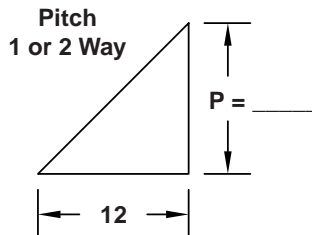
**MODEL 2**



**MODEL 3**



**STANDARD CONSTRUCTION:**  
 Insulation: Fiberglass  
 Material: 18 GA. Galvanized




**OPTION NUMBERS:**

- 7 - Wood Nailer - Treated
- 10 - .063" Aluminum Construction
- 11 - 1/4" Neoprene Gasket
- 12 - Inside Liner - 22 GA. Galv.
- 13 - Inside Liner - Aluminum
- 16 - One Way Pitch
- 17 - Two Way Pitch
- 18 - Burglar Bars 1/2" on 6" Centers
- 19 - Damper Shelf (Specify Opening Size)

QTY.	MODEL	A	B	T	H	R	OPTIONS	TAG

**SPECIAL MATERIAL:** GALV. \_\_\_\_\_ ALUM. \_\_\_\_\_

To maintain KEES' policy of continuous product improvement, we reserve the right to change prices, specifications, ratings or dimensions without notice or obligation.

<b>Project</b>				<b>Location</b>				
<b>Engineer</b>				 <b>KEES INCORPORATED</b> 400 S. Industrial Dr. • P.O. Box L Elkhart Lake, WI 53020 Phone: (920) 876-3391 Fax: (920) 876-3065 Website: www.kees.com				
<b>Architect</b>								
		<b>Dwg. No.</b>	<b>SD-RC</b>					
<b>Contractor</b>			<b>Date</b>					