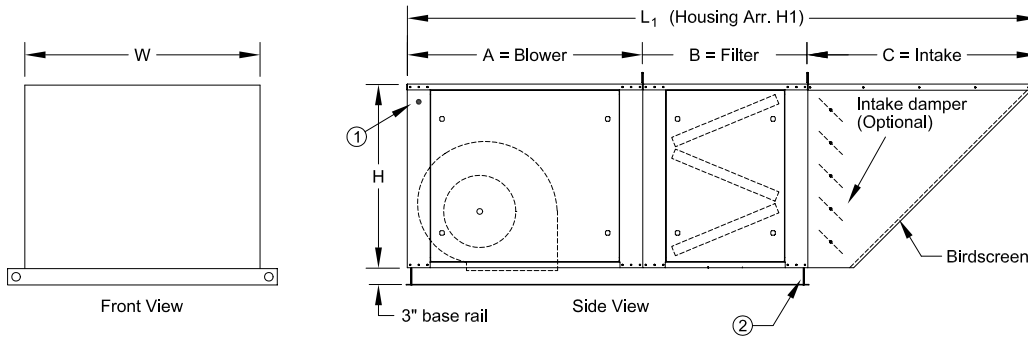


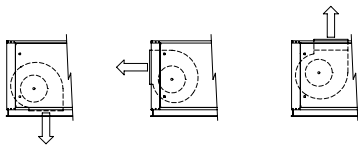
# MODEL NTS NON-TEMPERED SUPPLY UNIT



- ① Electrical connection
- ② Lifting lugs (4)

Select one:

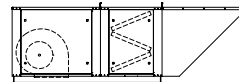
- Down Discharge
- End Discharge
- Top Discharge



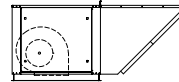
Select one:

- H1 Housing
- H2 Housing
- H3 Housing
- H4 Housing

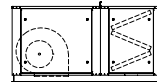
H1 Housing  
V-bank filters with intake hood



H2 Housing  
Flat filters in the intake hood

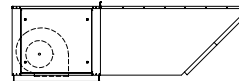


H3 Housing  
V-bank filters, no intake hood



\* Optional intake damper adds 8" to the L<sub>3</sub> length.

H4 Housing  
Extended intake hood with filters



## Notes:

1. Intake hood ships loose.
2. Access doors typical on both sides.
3. Refer to SD-NTS-INFO for CFM ranges, filter sizes, weights, curb cap sizes, blower openings, and a bottom view.
4. Refer to SD-NTS-CURB for curb options and dimensions.
5. Refer to SD-MUA, DFG, IFG or EVAP for Tempered Make-up Air Units.
6. Housing Arrangement H4 is used on projects that must meet NFPA 96 requirements. Without the extended intake included in this arrangement, small NTS units would not have the necessary ten foot separation between their intake and the exhaust fan discharge when these fans are placed together on a modular curb.

Model	Housing	A	B	C	D	L <sub>1</sub>	L <sub>2</sub>	L <sub>3</sub> *	L <sub>4</sub>	H	W
						H1 Hsg.	H2 Hsg.	H3 Hsg.	H4 Hsg.		
NTS-109	#1	33	28	34	85	95	67	61	118	26	33
NTS-110											
NTS-112	#2	41	29	40	77	110	81	70	118	32	41
NTS-115											
NTS-118	#3	57	28	54	NA	139	111	85	NA	46	52.5
NTS-120											
NTS-218	#4	57	28	54	NA	139	111	85	NA	46	101
NTS-220											

To maintain KEES' policy of continuous product improvement, we reserve the right to change prices, specifications, ratings, or dimensions without prior notice or obligation.

Project	Location	
Engineer		
Architect	Dwg No.	SD-NTS
Contractor	Date	08/09

**KEES INCORPORATED**  
 400 S. Industrial Dr. • P.O. Box L  
 Elkhart Lake, WI 53020  
 Phone: (920) 876-3391  
 Fax: (920) 876-3065  
 Website: www.kees.com

# MODEL NTS NON-TEMPERED SUPPLY UNIT

Qty.	Model	CFM	S.P.	BHP	RPM	HP	Volts	Phase	Tag

## General Construction

### Housing

- Galvanized steel
- 1" fiberglass insulation
- Weatherproof construction
- Large access panels

### Housing Options

- Painted housing - machinery grey
- Painted housing - special color: \_\_\_\_\_
- Double wall insulation
- Foil faced insulation
- Hinged access doors

### Blower Section

- Forward curved, DWDI blower
- Precision machined steel shaft
- Blower wheels statically and dynamically balanced
- Adjustable V-belt drives
- Pulleys and belts selected for not less than 165% of driven HP
- Fan and motor mounted on vibration isolators
- Self-aligning pre-lubricated bearings
- EPACT rated motor
  - ODP (standard)
  - TEFC
  - Two speed
  - Other \_\_\_\_\_

### Electrical

- Unit is field wired (standard)
- Optional
  - Disconnect switch only (mounted and wired to motor)
    - \_\_\_\_\_ NEMA1
    - \_\_\_\_\_ NEMA3R
  - Motor control center with disconnect switch, one motor starter, fuse blocks and control transformer; single point wiring.
  - Extra motor starters:
    - \_\_\_\_\_ HP
    - \_\_\_\_\_ HP
  - Other \_\_\_\_\_

## Optional Accessories

### Damper Options

- Motorized intake damper (mounted)
- Motorized discharge damper (field installed)
- End switch on damper

### Curb Options \_\_\_\_\_ Height

- Modular curb and legs (Arrangement A1)
- Roof curb and legs (Arrangement A2)
- Two support rails (Arrangement A3)
- Full perimeter curb (Arrangement A4)

### Filter Options \_\_\_\_\_ Thickness

- Aluminum cleanable
- Fiberglass throw-away (V-bank only)
- 30% efficient pleated (V-bank only)
- Other \_\_\_\_\_

### Other Options

- Remote control panel
- Enclosure - surface mounted
  - NEMA12 plastic enclosure (standard)
  - Metal enclosure (NEMA rating: \_\_\_\_\_)
- 2-Position switches
  - Fan  Hood lights
- Indicator lights
  - Fan  Hood lights
  - Alarm  Filter  Other \_\_\_\_\_
- 3-Position switches
  - Fan-Off-Auto  Other \_\_\_\_\_
- Clogged filter switch
- Convenience outlet (115V service receptacle)
- Discharge diffuser (3-way or 4-way)
- Other \_\_\_\_\_

To maintain KEES' policy of continuous product improvement, we reserve the right to change prices, specifications, ratings, or dimensions without prior notice or obligation.

<b>Project</b>		<b>Location</b>		
<b>Engineer</b>				
<b>Architect</b>		<b>Dwg No.</b>	<b>SD-NTS</b>	<p><b>KEES INCORPORATED</b>                  400 S. Industrial Dr. • P.O. Box L                  Elkhart Lake, WI 53020                  Phone: (920) 876-3391                  Fax: (920) 876-3065                  Website: www.kees.com</p>
<b>Contractor</b>		<b>Date</b>	<b>08/09</b>	

# MODEL NTS GENERAL INFORMATION

## CFM Information

Model	Housing Size	Blower CFM Limits	
		Minimum	Maximum
NTS-109-SM	#1	600	1,600
NTS-109		1,000	2,600
NTS-110		1,200	3,600
NTS-112	#2	1,800	5,000
NTS-115		3,000	7,000
NTS-118	#3	4,000	10,000
NTS-120		5,000	12,000
NTS-120-HD		5,000	15,000
NTS-218	#4	7,200	20,000
NTS-220		10,000	30,000

## Filter Information

Model	Housing Size	V-bank Filters		Filters in Intake Hood		Special Filters*	
		Quantity/ Area	CFM @ 500 FPM	Quantity/ Area	CFM @ 500 FPM	Quantity/ Area	CFM @ 500 FPM
NTS-109-SM	#1	(4) 16" x 20"	4,400	(2) 16" x 25"	2,800	(2) 16" x 20"	2,200
NTS-109		8.9 Sqft.		5.6 Sqft.		4.4 Sqft.	
NTS-110							
NTS-112	#2	(6) 20" x 20"	8,300	(4) 20" x 20"	5,600	(2) 20" x 25"	3,500
NTS-115		16.7 Sqft.		11.1 Sqft.		6.9 Sqft.	
NTS-118	#3	(8) 16" x 20"	14,400	(6) 20" x 25"	10,400	(4) 20" x 25"	6,900
NTS-120		(4) 20" x 20"		20.8 Sqft.		13.9 Sqft.	
NTS-120-HD		28.9 Sqft.					
NTS-218	#4	(16) 20" x 25"	27,800	(12) 20" x 25"	20,800	(8) 20" x 25"	13,900
NTS-220		55.6 Sqft.		41.7 Sqft.		27.8 Sqft.	

\* Examples of special filters would include 6" and 12" deep high efficiency filters. These would be located in a flat bank in the standard filter section.

## Weight Information

Model	Housing Size	Housing Arrangement				Intake Damper	Modular Curb & Rail	Full Perimeter Curb
		H1	H2	H3	H4			
NTS-109-SM	#1	390#	310#	320#	360#	50#	160#	90#
NTS-109		400#	320#	330#	370#			
NTS-110		420#	340#	350#	390#			
NTS-112	#2	660#	570#	560#	630#	60#	180#	100#
NTS-115		700#	610#	600#	670#			
NTS-118	#3	900#	800#	720#	NA	70#	200#	120#
NTS-120		1,000#	900#	820#				
NTS-120-HD		1,020#	920#	840#				
NTS-218	#4	1,900#	1,780#	1,610#	NA	100#	220#	160#
NTS-220		2,000#	1,880#	1,710#				

To maintain KEES' policy of continuous product improvement, we reserve the right to change prices, specifications, ratings or dimensions without notice or obligation.

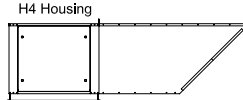
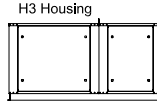
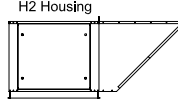
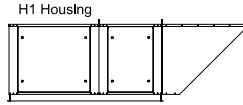
<b>Project</b>		<b>Location</b>		
<b>Engineer</b>			<b>KEES INCORPORATED</b> 400 S. Industrial Dr. • P.O. Box L Elkhart Lake, WI 53020 Phone: (920) 876-3391 Fax: (920) 876-3065 Website: www.kees.com	
<b>Architect</b>		<b>Drwg.</b>		<b>SD-NTS-INFO</b>
<b>Contractor</b>		<b>Date:</b>		<b>05/06</b>



# MODEL NTS GENERAL INFORMATION

## Base Rail / Curb Cap Information

Model	Housing Size	H1, H3 Housing Arrangement		H2, H4 Housing Arrangement	
		A	B	C	C
NTS-109-SM	#1	32.00	32.00	60.00	32.00
NTS-109					
NTS-110					
NTS-112	#2	40.00	40.00	68.75	40.00
NTS-115					
NTS-118	#3	51.50	56.25	84.50	56.25
NTS-120					
NTS-120-HD					
NTS-218	#4	99.50	56.25	84.50	56.25
NTS-220					

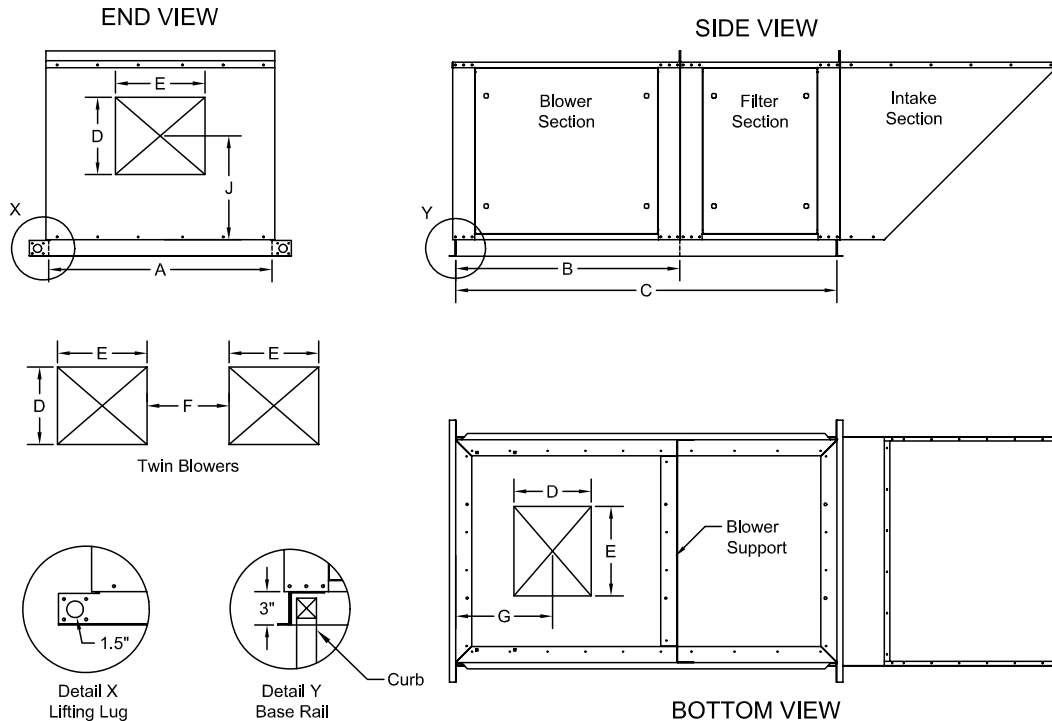


Note: All of the dimensions are measured to the inside of the base rail / curb cap. Undersize the O.D. of the curb accordingly. Dimension B is the curb cap measurement for Curb Arrangements A1 and A2 where the curb is under the blower section only. Dimension C is the curb cap measurement for Curb Arrangement A4 where the curb is around the full perimeter of the unit. The first dimension C listed is for Housing Arrangements H1 and H3 that have the V-bank filter section. The second dimension C is for Housing Arrangements H2 and H4. It is smaller since the V-bank filter section is replaced by flat filters in the intake section.

## Blower Opening Information

Model	Housing Size	Blower Opening			Down Discharge	End Discharge
		D	E	F	G	J
NTS-109-SM	#1	10.25	7.00	NA	12.50	15.50
NTS-109		10.25	12.00	NA	12.50	15.50
NTS-110		11.50	13.25	NA	12.50	15.50
NTS-112	#2	13.50	15.75	NA	17.50	20.50
NTS-115		16.00	18.75	NA	17.50	20.50
NTS-118	#3	19.00	22.00	NA	25.00	24.50
NTS-120		24.75	22.75	NA	25.00	24.50
NTS-120-HD		24.75	24.75	NA	25.00	24.50
NTS-218	#4	19.00	22.00	18.00	25.00	20.75
NTS-220		24.75	24.75	20.00	25.00	24.50

Note: Blower openings are centered on the width of the unit. Dim. G is from the inside of the curb cap. Dim. J is measured from the bottom of the unit.



Note: The views shown above are of Housing Arrangement H1.