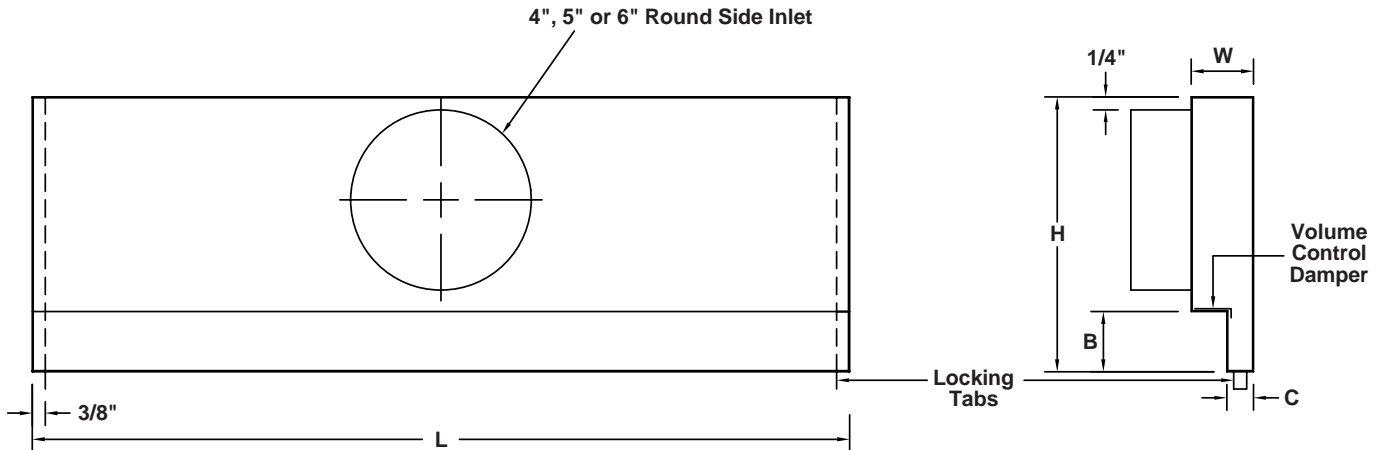


SINGLE SIDED LIGHT TROFFER DIFFUSER

MODEL AS – NON-INSULATED
 MODEL ASI – INTERNALLY INSULATED
 MODEL ASE – EXTERNALLY INSULATED



H	8"
W	1-13/16"
B	1-3/4"
C	7/8"
L	*

* Varies with Light Fixture

STANDARD CONSTRUCTION:

- 24 Ga. Zinc Coated Steel
- Volume Damper - Adjustable Through Face
- Locking Tabs To Hold Diffuser To Fixture

OPTIONS:


- 1/4" Internal Insulation
- 1/2" External Foil-Faced Insulation

Light Fixture Manufacturer _____

Light Fixture Model Number _____

Qty.	Model	Nominal Light Fixture Length	Inlet Size	Insulation	Options	Tag

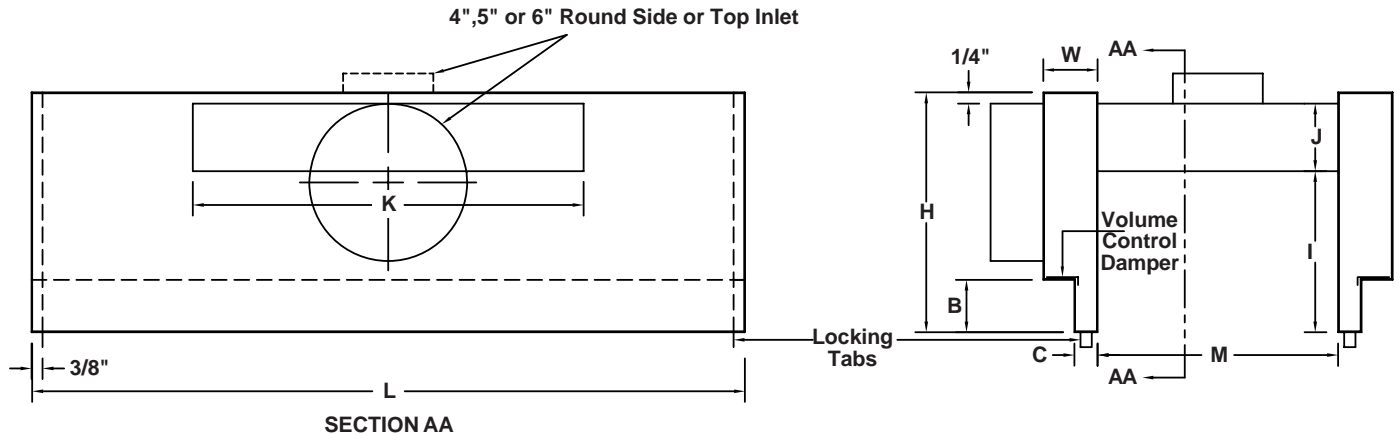
To maintain KEES' policy of continuous product improvement, we reserve the right to change prices, specifications, ratings or dimensions without notice or obligation.

Project		Location		 KEES INCORPORATED 400 S. Industrial Dr. • P.O. Box L Elkhart Lake, WI 53020 Phone: (920) 876-3391 Fax: (920) 876-3065 Website: www.kees.com
Engineer		Dwg. No.	SD-LTS	
Architect		Date	07/07	
Contractor				

DOUBLE SIDED LIGHT TROFFER DIFFUSER

MODEL ADT
 MODEL ADTI
 MODEL ADTE
 MODEL ADS
 MODEL ADSI
 MODEL ADSE

NON-INSULATED WITH TOP INLET
 INTERNALLY INSULATED WITH TOP INLET
 EXTERNALLY INSULATED WITH TOP INLET
 NON-INSULATED WITH SIDE INLET
 INTERNALLY INSULATED WITH SIDE INLET
 EXTERNALLY INSULATED WITH SIDE INLET



STANDARD CONSTRUCTION:

- 24 Ga. Zinc Coated Steel
- Volume Damper - Adjustable Through Face
- Locking Tabs To Hold Diffuser To Fixture
- Ship Knocked Down For Field Assembly (2 Sides And Crossover Duct)

OPTIONS:

- 1/4" Internal Insulation
- 1/2" External Foil-Faced Insulation

H	8" **	10" **
B	1-3/4"	1-3/4"
C	7/8"	7/8"
W	1-13/16"	1-13/16"
I	5-3/16"	7-3/16"
J	2-1/4"	2-1/4"
K	13"	13"
L	*	*
M	*	*

* Varies with Light Fixture
 ** Height Determined by Light Fixture


Light Fixture Manufacturer _____

Light Fixture Model Number _____

Qty.	Model	Nominal Light Fixture Length	Nominal Light Fixture Width	Inlet Size	Top or Side Inlet	Height	Insulation	Options	Tag

To maintain KEES' policy of continuous product improvement, we reserve the right to change prices, specifications, ratings or dimensions without notice or obligation.

Project		Location	
Engineer		Architect	
Contractor		Dwg. No.	SD-LTD
		Date	07/07



KEES INCORPORATED
 400 S. Industrial Dr. • P.O. Box L
 Elkhart Lake, WI 53020
 Phone: (920) 876-3391
 Fax: (920) 876-3065
 Website: www.kees.com