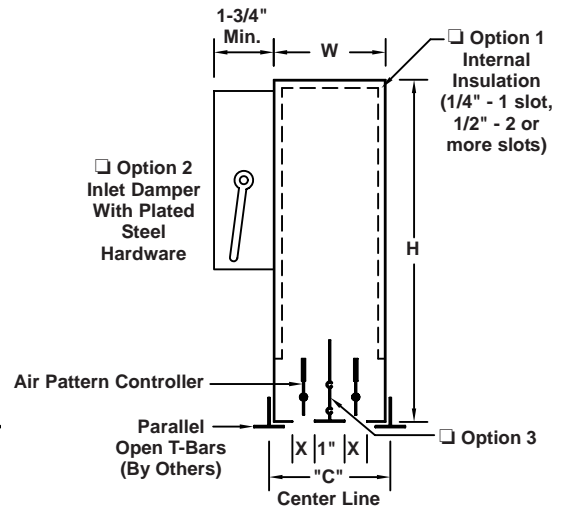
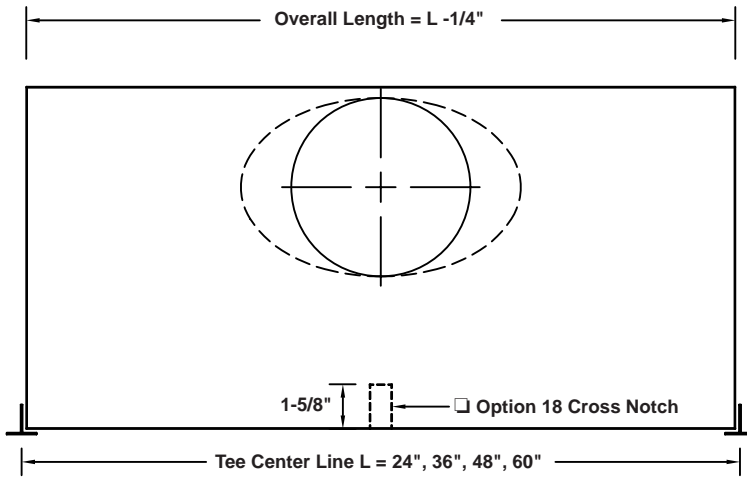
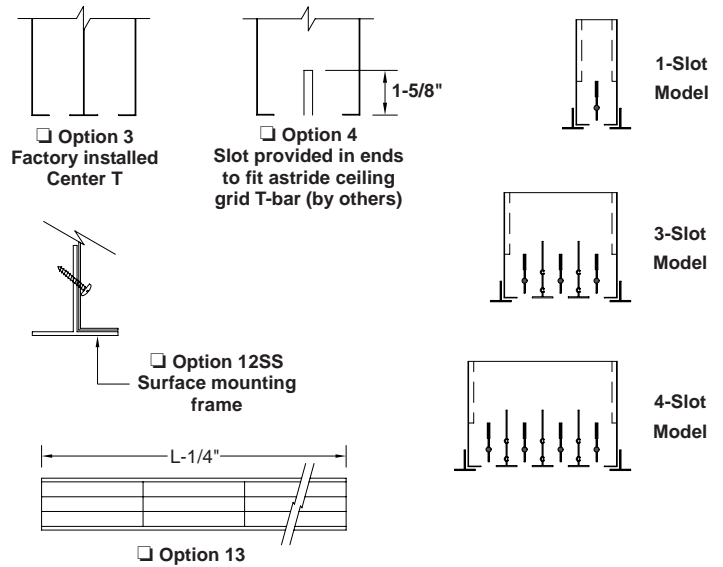


MODEL "K" DIFFUSER WITH ADJUSTABLE BLADE 2-Slot Model



MODEL	SLOT WIDTH X	W	C	H
K-75-1	3/4"	1-7/8"	2-1/8"	11-5/8"
K-100-1	1"	2-1/8"	2-3/8"	
K-150-1	1-1/2"	2-5/8"	2-7/8"	
K-75-2	3/4"	3-5/8"	3-7/8"	
K-100-2	1"	4-1/8"	4-3/8"	
K-150-2	1-1/2"	5-1/8"	5-3/8"	
K-75-3	3/4"	5-3/8"	5-5/8"	
K-100-3	1"	6-1/8"	6-3/8"	
K-150-3	1-1/2"	7-5/8"	7-7/8"	
K-75-4	3/4"	7-1/8"	7-3/8"	
K-100-4	1"	8-1/8"	8-3/8"	
K-150-4	1-1/2"	10-1/8"	10-3/8"	

ACCESSORY OPTIONS



Material: 304 stainless steel.


Finish: #3 satin polish where visible.

Continuous run of active and/or inactive sections. Center tees extended to end of plenum to appear continuous. Ceiling tee bars by others or option 12 frame required.

Qty.	Model	Length L	Height H	Inlet Size	Optional		Options	Tag
					Frame	Screw Holes		
						Field Drilled		

To maintain KEES' policy of continuous product improvement, we reserve the right to change prices, specifications, ratings or dimensions without notice or obligation.

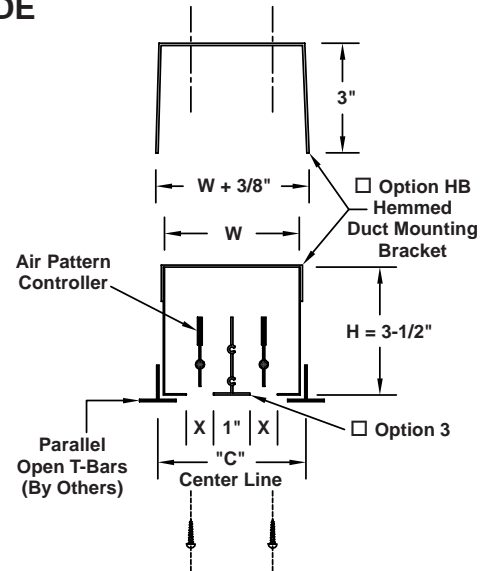
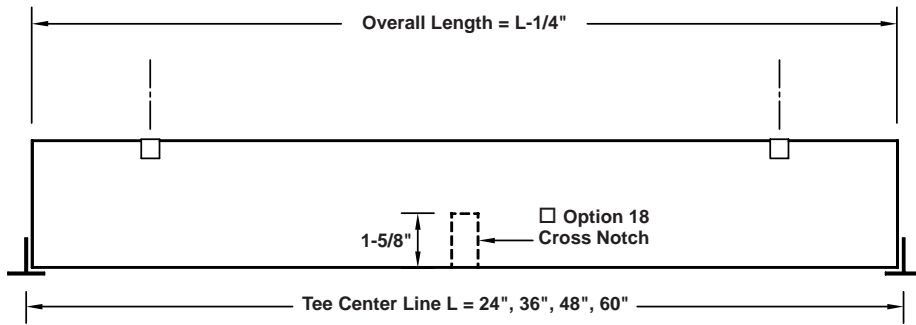
Project		Location	
Engineer		Dwg. No.	
Architect		Diff.-KS-SS-PDF	
Contractor		Date 07/07	



KEES INCORPORATED
 400 S. Industrial Dr. • P.O. Box L
 Elkhart Lake, WI 53020
 Phone: (920) 876-3391
 Fax: (920) 876-3065
 Website: www.kees.com

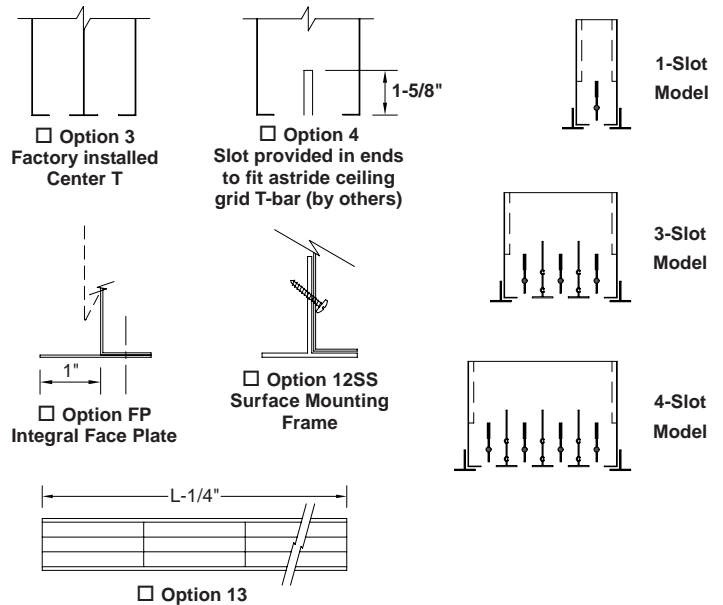
MODEL "K" DIFFUSER WITH ADJUSTABLE BLADE

2-Slot Model



MODEL	SLOT WIDTH X	W	C	H
K-75-1	3/4"	1-7/8"	2-1/8"	3-1/2"
K-100-1	1"	2-1/8"	2-3/8"	
K-150-1	1-1/2"	2-5/8"	2-7/8"	
K-75-2	3/4"	3-5/8"	3-7/8"	
K-100-2	1"	4-1/8"	4-3/8"	
K-150-2	1-1/2"	5-1/8"	5-3/8"	
K-75-3	3/4"	5-3/8"	5-5/8"	
K-100-3	1"	6-1/8"	6-3/8"	
K-150-3	1-1/2"	7-5/8"	7-7/8"	
K-75-4	3/4"	7-1/8"	7-3/8"	
K-100-4	1"	8-1/8"	8-3/8"	
K-150-4	1-1/2"	10-1/8"	10-3/8"	

ACCESSORY OPTIONS




Material: 304 stainless steel.

Finish: #3 satin polish where visible.

Continuous run of active and/or inactive sections. Center tees extended to end of plenum to appear continuous. Ceiling tee bars by others or option 12 frame required.

Qty.	Model	Length L	Height H	Options	Tag

To maintain KEES' policy of continuous product improvement, we reserve the right to change prices, specifications, ratings or dimensions without notice or obligation.

Project				Location		
Engineer					 KEES INCORPORATED 400 S. Industrial Dr. • P.O. Box L Elkhart Lake, WI 53020 Phone: (920) 876-3391 Fax: (920) 876-3065 Website: www.kees.com	
Architect			Dwg. No.	Diff.-KS-SS		
Contractor			Date	03/07		