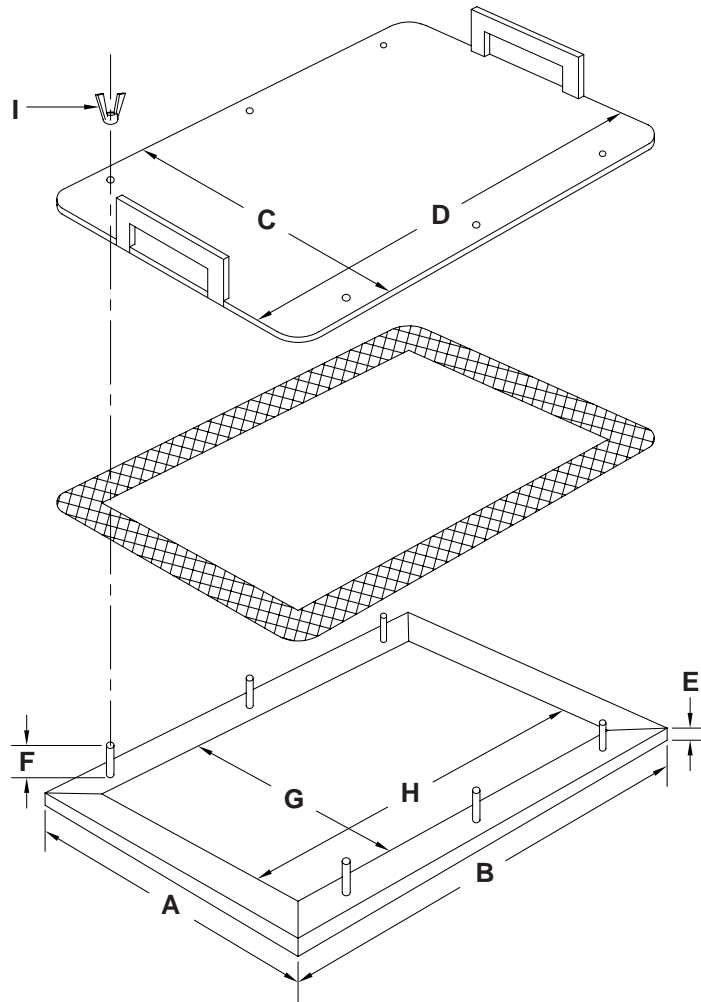



# U.L.LISTED GREASE DUCT DOOR FOR FLAT DUCT



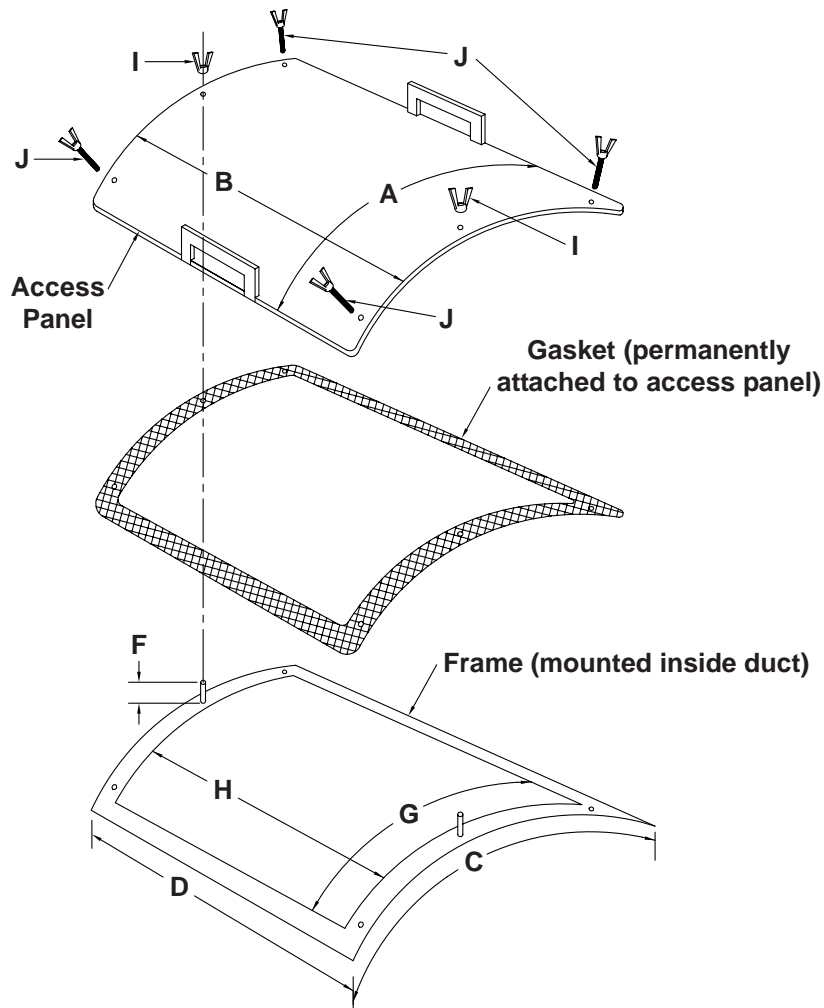
## DIMENSIONS

SIZE	A	B	C	D	E	F	G	H	I Qty.
5.5" x 7.5"	7"	10"	7"	10"	FLAT	1"	5.5"	7.5"	4
5.5" x 13.5"	7"	15"	7"	15"	FLAT	1"	5.5"	13.5"	6
5.5" x 21.5"	7"	23"	7"	23"	FLAT	1"	5.5"	21.5"	10
7" x 7"	10"	10"	10.5"	10.5"	.5"	1"	7"	7"	4
7" x 12"	10"	15"	10.5"	15.5"	.5"	1"	7"	12"	6
7" x 20"	10"	23"	10.5"	23.5"	.5"	1"	7"	20"	10
12" x 12"	15"	15"	15.5"	15.5"	.5"	1"	12"	12"	8
12" x 20"	15"	23"	15.5"	23.5"	.5"	1"	12"	20"	12
16" x 20"	19"	23"	19.5"	23.5"	.5"	1"	16"	20"	12
20" x 20"	23"	23"	23.5"	23.5"	.5"	1"	20"	20"	16

To maintain KEES' policy of continuous product improvement, we reserve the right to change prices, specifications, ratings or dimensions without notice or obligation.

<b>Project</b>				<b>Location</b>					
<b>Engineer</b>					 <b>KEES INCORPORATED</b> 400 S. Industrial Dr. • P.O. Box L Elkhart Lake, WI 53020 Phone: (920) 876-3391 Fax: (920) 876-3065 Website: www.kees.com				
<b>Architect</b>			<b>Dwg. No.</b>	<b>SD-KEDU</b>					
<b>Contractor</b>			<b>Date</b>	<b>03/06</b>					

# U.L.LISTED GREASE DUCT DOOR FOR ROUND DUCT



## DIMENSIONS

SIZE	A	B	C	D	DUCT DIA.	F	G	H	Qty.	
									I	J
5.25" x 5.25"	6.75"	6.75"	6.75"	6.75"		1"	5.25"	5.25"	2	4
5.25" x 11.25"	6.75"	12.75"	6.75"	12.75"		1"	5.25"	11.25"	2	6
5.25" x 17.25"	6.75"	18.75"	6.75"	18.75"		1"	5.25"	17.25"	2	8
8.25" x 11.25"	9.75"	12.75"	9.75"	12.75"		1"	8.25"	11.25"	2	6
8.25" x 17.25"	9.75"	18.75"	9.75"	18.75"		1"	8.25"	17.25"	2	8
8.25" x 23.25"	9.75"	24.75"	9.75"	24.75"		1"	8.25"	23.25"	2	10
11.25" x 17.25"	12.75"	18.75"	12.75"	18.75"		1"	11.25"	17.25"	2	8
11.25" x 23.25"	12.75"	24.75"	12.75"	24.75"		1"	11.25"	23.25"	2	10
17.25" x 17.25"	18.75"	18.75"	18.75"	18.75"		1"	17.25"	17.25"	2	12
17.25" x 23.25"	18.75"	24.75"	18.75"	24.75"		1"	17.25"	23.25"	2	14

To maintain KEES' policy of continuous product improvement, we reserve the right to change prices, specifications, ratings or dimensions without notice or obligation.

<b>Project</b>		<b>Location</b>		
<b>Engineer</b>				
<b>Architect</b>		<b>Dwg. No.</b>	SD-KEDU-R	
<b>Contractor</b>		<b>Date</b>	03/06	

**KEES INCORPORATED**  
 400 S. Industrial Dr. • P.O. Box L  
 Elkhart Lake, WI 53020  
 Phone: (920) 876-3391  
 Fax: (920) 876-3065  
 Website: www.kees.com