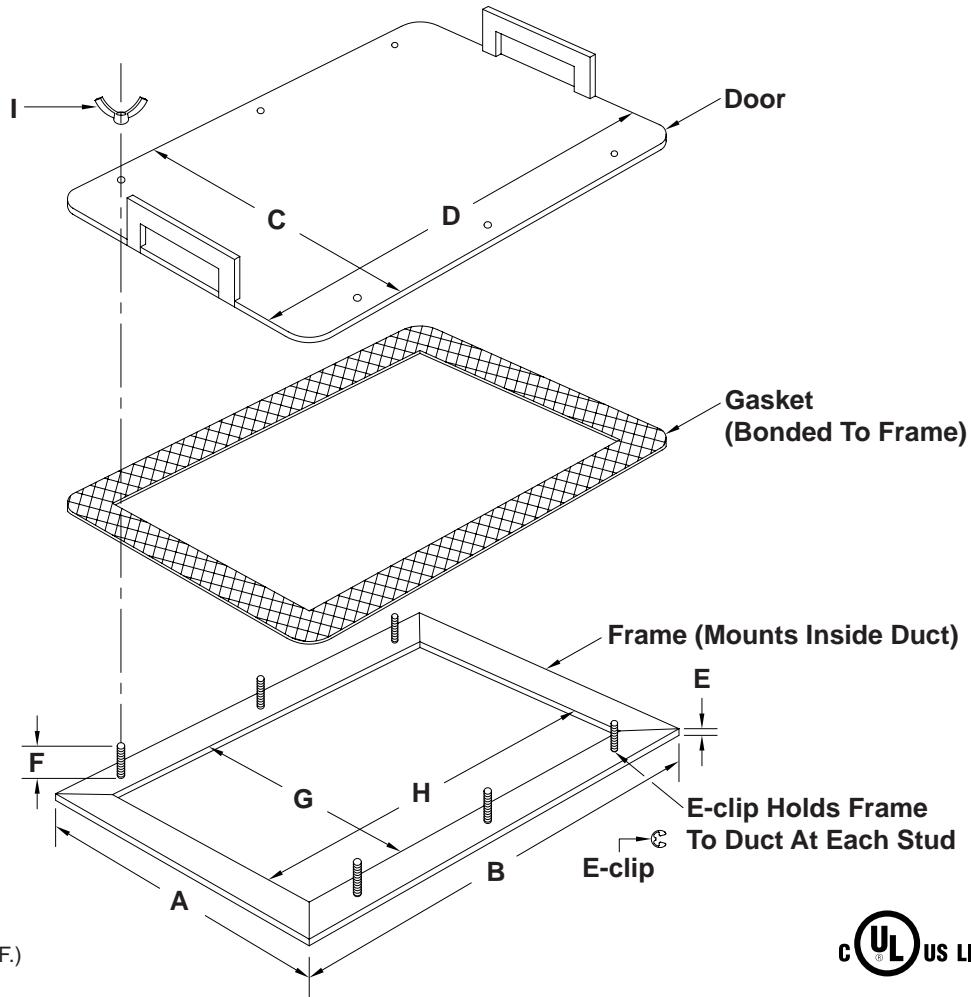


U.L. LISTED GREASE DUCT DOOR FOR FLAT DUCT



MATERIALS:

Door: 16 GA. Galv. (.060")
 Frame: 16 GA. CRS (.057")
 Gasket: Ceramic Fiber (2,300° F.)
 Studs and Wing Nuts: Steel



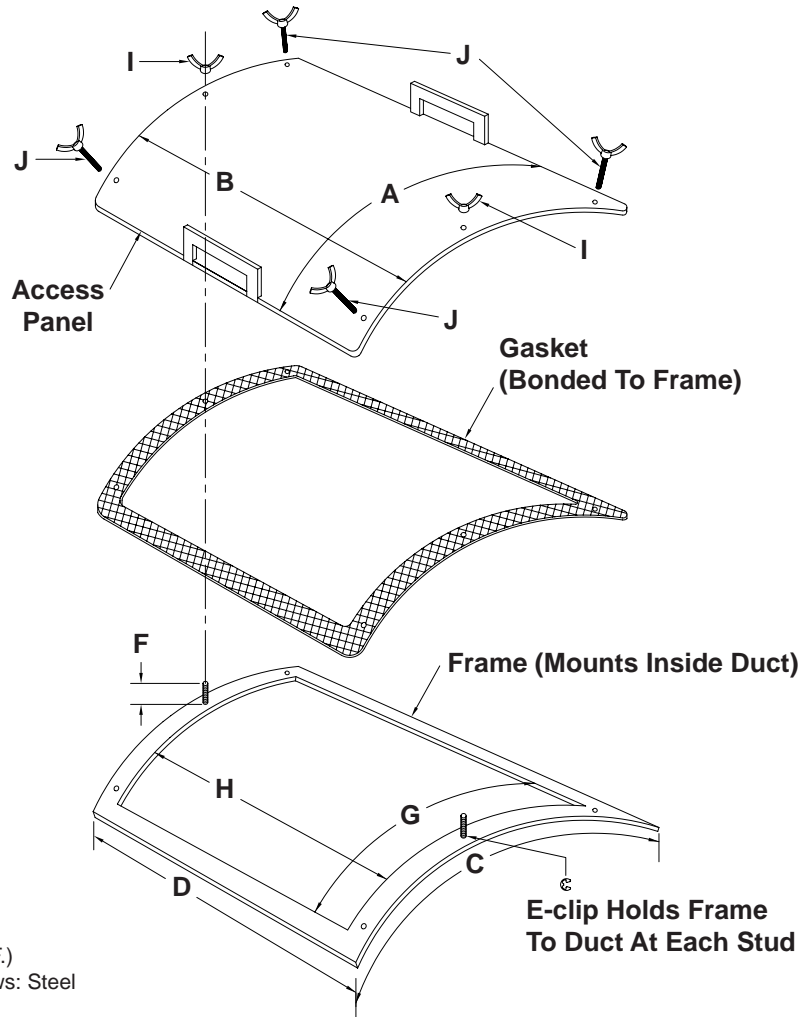
DIMENSIONS

QTY.	SIZE	A	B	C	D	E	F	G	H	I Qty.
	5.5" x 8.5"	7"	10"	7"	10"	FLAT	1"	5.5"	8.5"	4
	5.5" x 13.5"	7"	15"	7"	15"	FLAT	1"	5.5"	13.5"	6
	5.5" x 21.5"	7"	23"	7"	23"	FLAT	1"	5.5"	21.5"	10
	6" x 6"	8"	8"	8"	8"	FLAT	1"	6"	6"	4
	7" x 7"	10"	10"	10"	10"	.5"	1"	7"	7"	4
	7" x 12"	10"	15"	10"	15"	.5"	1"	7"	12"	6
	7" x 20"	10"	23"	10"	23"	.5"	1"	7"	20"	10
	12" x 12"	15"	15"	15"	15"	.5"	1"	12"	12"	8
	12" x 20"	15"	23"	15"	23"	.5"	1"	12"	20"	12
	16" x 20"	19"	23"	19"	23"	.5"	1"	16"	20"	12
	20" x 20"	23"	23"	23"	23"	.5"	1"	20"	20"	16

To maintain KEES' policy of continuous product improvement, we reserve the right to change prices, specifications, ratings or dimensions without notice or obligation.

Project				Location		
Engineer				KEES INCORPORATED 400 S. Industrial Dr. • P.O. Box L Elkhart Lake, WI 53020 Phone: (920) 876-3391 Fax: (920) 876-3065 Website: www.kees.com		
Architect						
	Dwg. No.	SD-KEDU				
Contractor		Date	01/10			

U.L. LISTED GREASE DUCT DOOR FOR ROUND DUCT



MATERIALS:


Door: 16 GA. Galv. (.060")
 Frame: 16 GA. CRS (.057")
 Gasket: Ceramic Fiber (2,300° F.)
 Stud Wing Nuts and Wing Screws: Steel



DIMENSIONS

QTY.	SIZE	A & C	B & D	DUCT DIA.	F	G	H	Qty. I	Qty. J
	5.00" x 5.25"	6.56"	6.75"		1"	5.06"	5.25"	2	4
	5.00" x 11.25"	6.50"	12.75"		1"	5.00"	11.25"	2	6
	5.00" x 17.25"	6.50"	18.75"		1"	5.00"	17.25"	2	8
	8.00" x 8.25"	9.50"	9.75"		1"	8.00"	8.25"	2	4
	8.00" x 11.25"	9.50"	12.75"		1"	8.00"	11.25"	2	6
	8.00" x 17.25"	9.50"	18.75"		1"	8.00"	17.25"	2	8
	8.00" x 23.25"	9.50"	24.75"		1"	8.00"	23.25"	2	10
	11.00" x 17.25"	12.50"	18.75"		1"	11.00"	17.25"	2	8
	11.00" x 23.25"	12.50"	24.75"		1"	11.00"	23.25"	2	10
	17.00" x 17.25"	18.50"	18.75"		1"	17.00"	17.25"	2	12
	17.00" x 23.25"	18.50"	24.75"		1"	17.00"	23.25"	2	14

To maintain KEES' policy of continuous product improvement, we reserve the right to change prices, specifications, ratings or dimensions without notice or obligation.

Project				Location					
Engineer					 KEES INCORPORATED 400 S. Industrial Dr. • P.O. Box L Elkhart Lake, WI 53020 Phone: (920) 876-3391 Fax: (920) 876-3065 Website: www.kees.com				
Architect			Dwg. No.	SD-KEDU-R					
Contractor			Date	01/10					