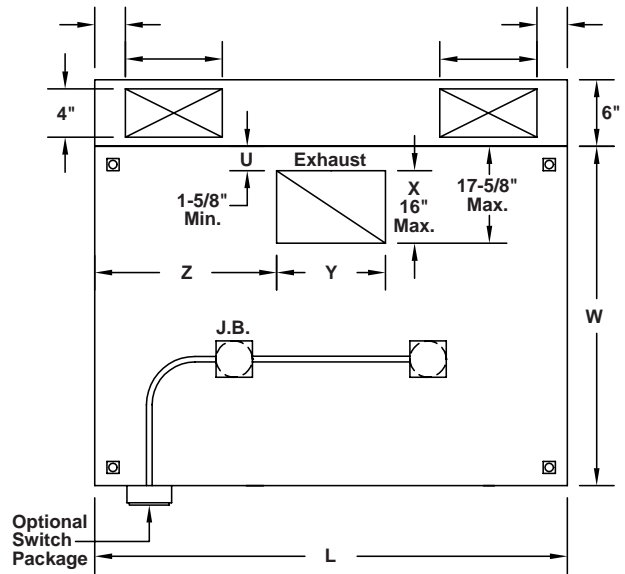
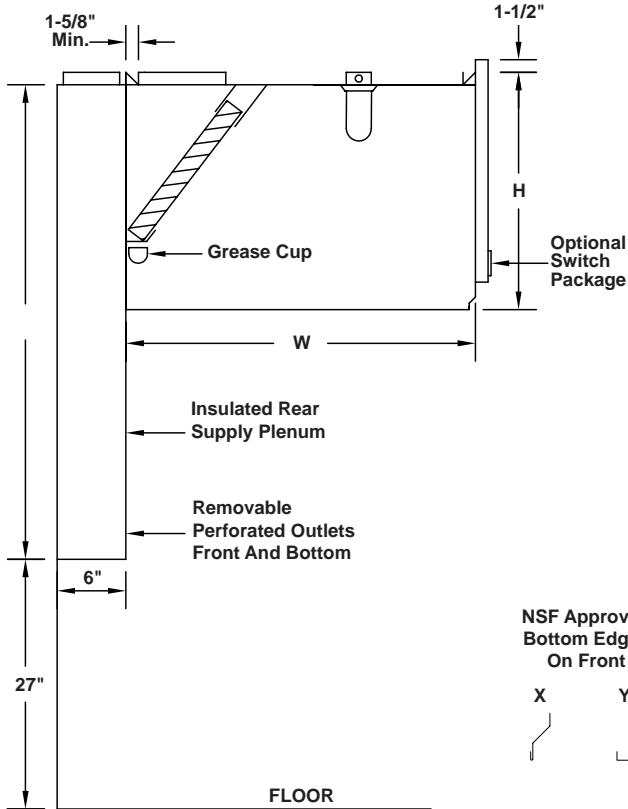


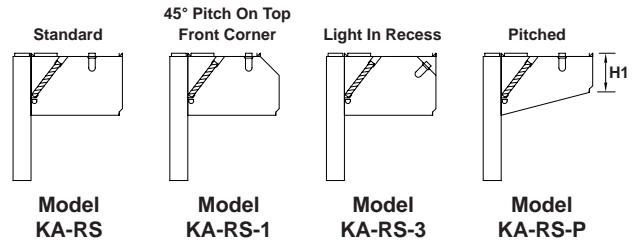
# MODEL KA-RS



NSF Approved  
Bottom Edges  
On Front



## MODELS



Quantity	Model	① Material	② Gauge	Hood Dimensions			③ Number of Lights	Bottom Edge Type
				L	W	H		

④ Factory Cut Opening				⑤ Filters			⑥ Finish	⑦ Side Skirts	⑨ Optional Switch Pkg.	Other Options	Tag
U	X	Y	Z	Type	Material	Qty.					

- ① Type 304 stainless steel.
  - ② 18 ga. is standard; other gauges available.
  - ③ Standard is 100 watt vaporproof incandescent U.L. Listed for use on grease exhaust hood.
  - ④ Two collars required on hood sections over 12' long.
  - ⑤ Aluminum baffle type U.L. Classified filters standard.
  - ⑥ #3 polish standard.
  - ⑦ Advise if one or both sides. Make a sketch.
  - ⑧ Optional exhaust air fire damper.
  - ⑨ Optional switch package with surface mounted stainless steel cover and junction box on top of hood. (Fan switch with illuminated toggle).
- Hood mounted       Loose or wall mounting  
 Number of light switches \_\_\_\_\_  
 Number of fan switches \_\_\_\_\_ Voltage \_\_\_\_\_ 115V \_\_\_\_\_ 24V



U.L. File MH12960 (Without Exhaust Fire Damper)  
 U.L. File MH12071 (With Exhaust Fire Damper)



To maintain KEES' policy of continuous product improvement, we reserve the right to change prices, specifications, ratings or dimensions without notice or obligation.

<b>Project</b>		<b>Location</b>	
<b>Engineer</b>		<b>Dwg. No. SD-KA-RS</b>	
<b>Architect</b>		<b>Date 02/09</b>	
<b>Contractor</b>		<b>KEES INCORPORATED</b> 400 S. Industrial Dr. • P.O. Box L Elkhart Lake, WI 53020 Phone: (920) 876-3391 Fax: (920) 876-3065 Website: www.kees.com	