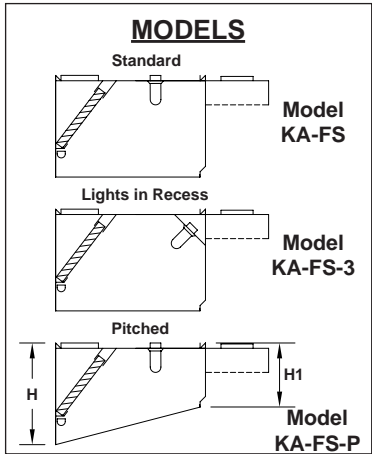
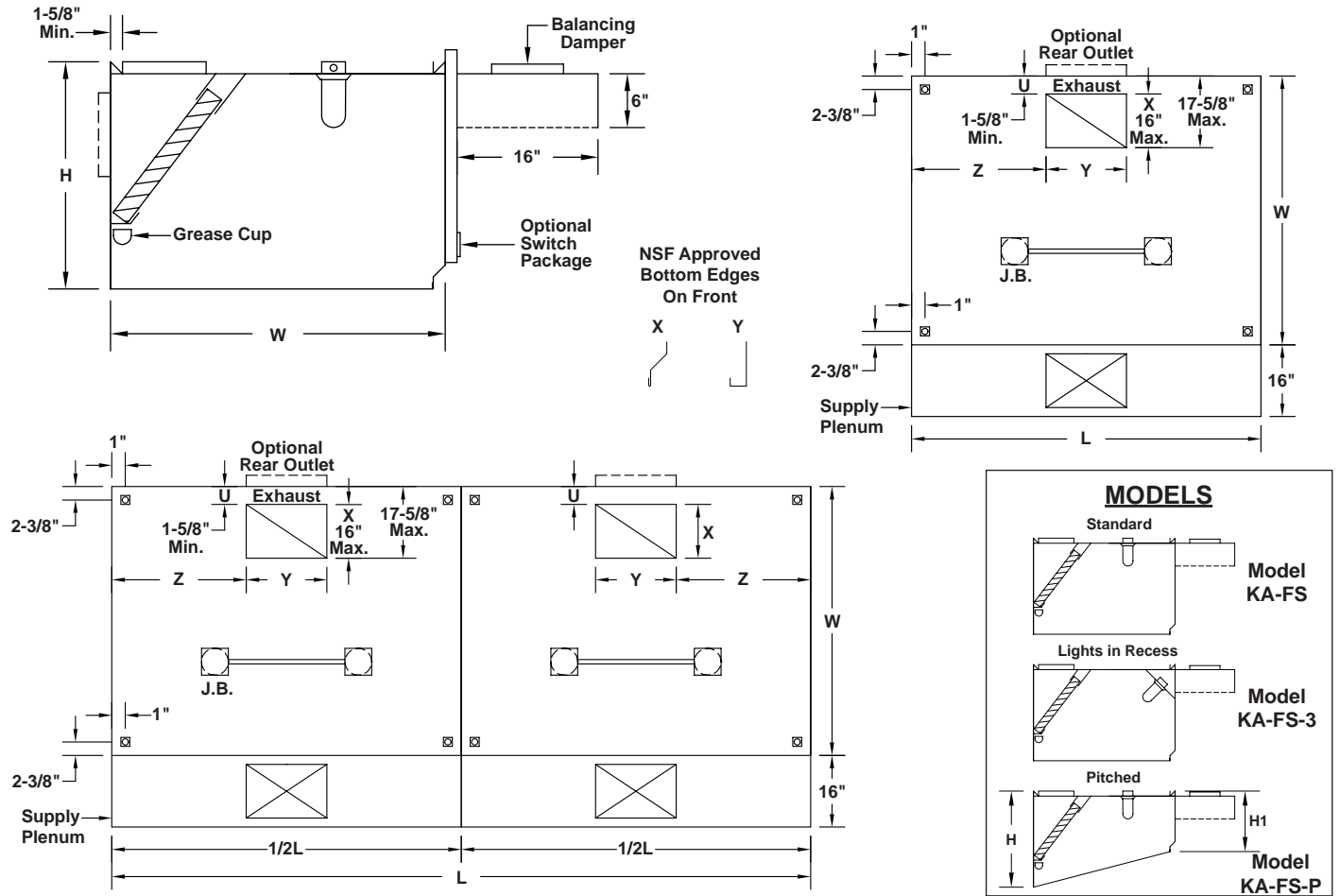


MODEL KA-FS WITH FRONT SUPPLY PLENUM



| Quantity | Model | ① Material | ② Gauge | Hood Dimensions | | | ③ Number of Lights | Bottom Edge Type |
|----------|-------|------------|---------|-----------------|---|---|--------------------|------------------|
| | | | | L | W | H | | |
| | | | | | | | | |
| | | | | | | | | |
| | | | | | | | | |

| ④ Factory Cut Exhaust Opening | | | | ⑤ Filters | | | | ⑥ Finish | ⑦ Side Skirts | Other Options | Tag |
|-------------------------------|---|---|---|-----------|----------|------|------|----------|---------------|---------------|-----|
| U | X | Y | Z | Type | Material | Qty. | Size | | | | |
| | | | | | | | | | | | |
| | | | | | | | | | | | |

- ① Type 304 stainless steel.
 - ② 18 ga. is standard; other gauges available.
 - ③ Standard is 100 watt vaporproof incandescent U.L. Listed for use on grease exhaust hood.
 - ④ 2 sets of collars required on hood sections over 12' long.
 - ⑤ Aluminum baffle type U.L. Classified filters standard.
 - ⑥ #3 polish standard.
 - ⑦ Advise if one or both sides. Make a sketch.
 - ⑧ Optional exhaust air fire damper.
 - ⑨ Standard supply air collar balancing damper.
 - ⑩ Optional switch package with surface mounted stainless steel cover and junction box on top of hood. (Fan switch with illuminated toggle).
 - Hood mounted
 - Loose or wall mounting
- Number of light switches _____
 Number of fan switches _____ Voltage _____ 115V _____ 24V



U.L. File MH12960 (Without Exhaust Fire Damper)
 U.L. File MH12071 (With Exhaust Fire Damper)



To maintain KEES' policy of continuous product improvement, we reserve the right to change prices, specifications, ratings or dimensions without notice or obligation.

| | | | |
|-------------------|--|---|--|
| Project | | Location | |
| Engineer | | Dwg. No. SD-KA-FS | |
| Architect | | Date 02/09 | |
| Contractor | | KEES INCORPORATED 400 S. Industrial Dr. • P.O. Box L Elkhart Lake, WI 53020 Phone: (920) 876-3391 Fax: (920) 876-3065 Website: www.kees.com | |