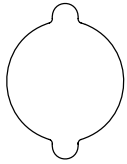


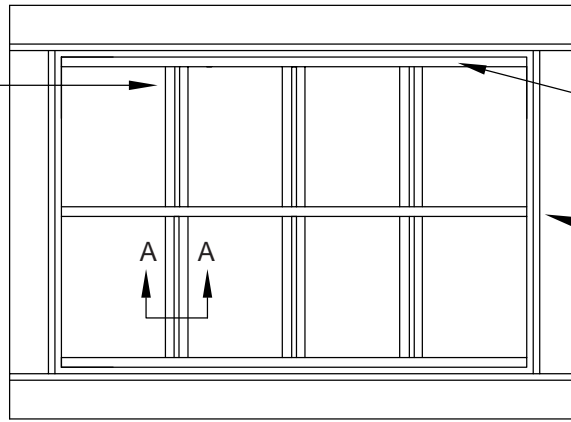
GR-C5 SECURITY GRATES

TOOL RESISTING

7/8" dia.
hardened steel
ribbed vertical
bars 6" o.c.



Section A - A



Vertical bars are keyed into 2-1/2" x 3/8" hardened steel flat bars at top and bottom of sleeve so vertical bars cannot rotate after assembly. Flat bars are stitch welded to sleeve in an alternating pattern.

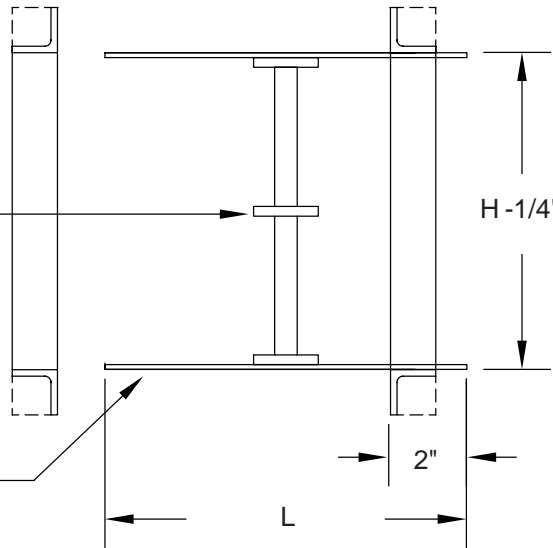
Intermediate bars are welded to sleeve. Vertical bars are rotated to interlock with intermediate horizontal bars

W - 1/4"

Two 1" x 1" x 3/16" angle frames. One factory stitch welded to sleeve, one loose for field welding (unpainted).

2-1/2" x 3/8" hardened steel intermediate bars 12" o.c. when height exceeds 12".

3/16" steel sleeve with continuously welded seams.



H - 1/4"

2"

L

Bars are centered in sleeve unless indicated otherwise.

Two part polyurethane white prime coat finish.

Flat bars meet requirements of ASTM A-629-94 standard for tool resisting steel flat bars.

Round bars meet requirements of ASTM A-627-95 standard for tool resisting steel bars.

To maintain KEES' policy of continuous product improvement, we reserve the right to change prices, specifications, ratings or dimensions without notice or obligation.

Project		Location	
Architect / Engineer			
Contractor		Dwg. No.	GR-C5w 12/08/04
Representative		Date	

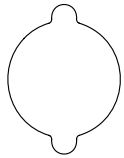


KEES INCORPORATED
400 S. Industrial Drive
P.O. Box L
Elkhart Lake, WI 53020
Phone: (920) 876-3391
FAX: (920) 876-3065

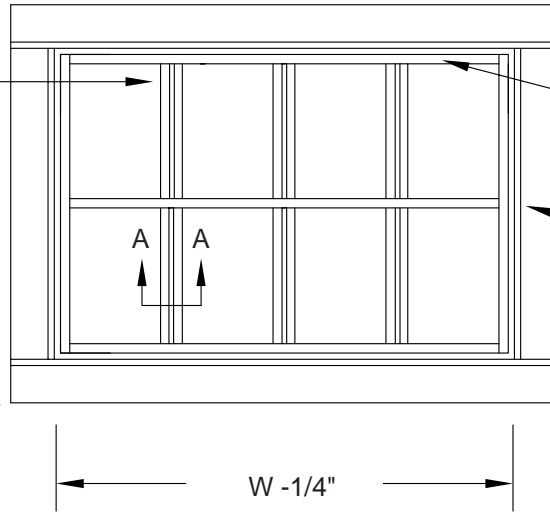
GR-C5F SECURITY GRATES

TOOL RESISTING

7/8" dia.
hardened steel
ribbed vertical
bars 6" o.c.



Section A-A



Vertical bars are keyed into 2-1/2" x 3/8" hardened steel flat bars at top and bottom of sleeve so vertical bars cannot rotate after assembly. Flat bars are stitch welded to sleeve in an alternating pattern.

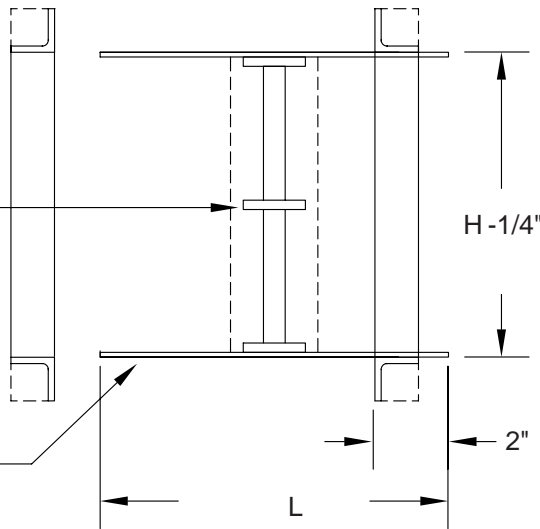
Intermediate bars are set into 3-1/2" x 3/8" hardened steel flat bars at sides of sleeve. Flat bars are stitch welded to sleeve in an alternating pattern. Vertical bars are rotated to interlock with intermediate horizontal bars

Two 1" x 1" x 3/16" angle frames. One factory stitch welded to sleeve. One loose for field welding (unpainted).

W - 1/4"

2-1/2" x 3/8" hardened steel intermediate bars 12" o.c. when height exceeds 12".

3/16" steel sleeve with continuously welded seams.



H - 1/4"

2"

L

Bars are centered in sleeve unless indicated otherwise.

Two part polyurethane white prime coat finish.

Flat bars meet requirements of ASTM A-629-94 standard for tool resisting steel flat bars.

Round bars meet requirements of ASTM A-627-95 standard for tool resisting steel bars.

Assembly of bars and frame does not impair performance characteristics of the bars.

To maintain KEES' policy of continuous product improvement, we reserve the right to change prices, specifications, ratings or dimensions without notice or obligation.

Project		Location	
Architect / Engineer			
Contractor		Dwg. No.	GR-C5Fw 1/10/05
Representative		Date	



KEES INCORPORATED
400 S. Industrial Drive
P.O. Box L
Elkhart Lake, WI 53020
Phone: (920) 876-3391
FAX: (920) 876-3065