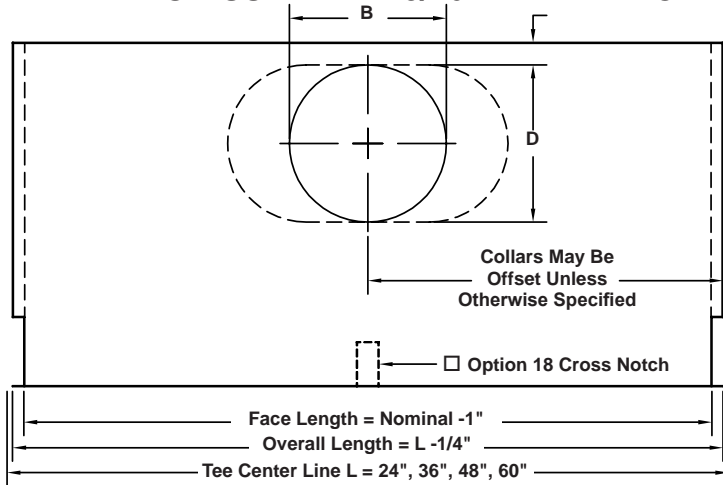
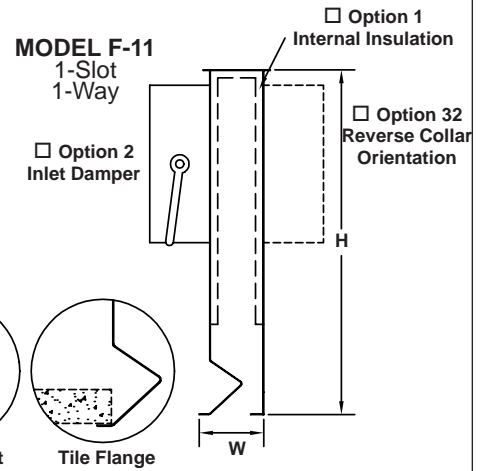


# MODEL "F" DIFFUSER WITH FIXED BLADE FOR USE WITH 15/16" WIDE TEE CEILINGS



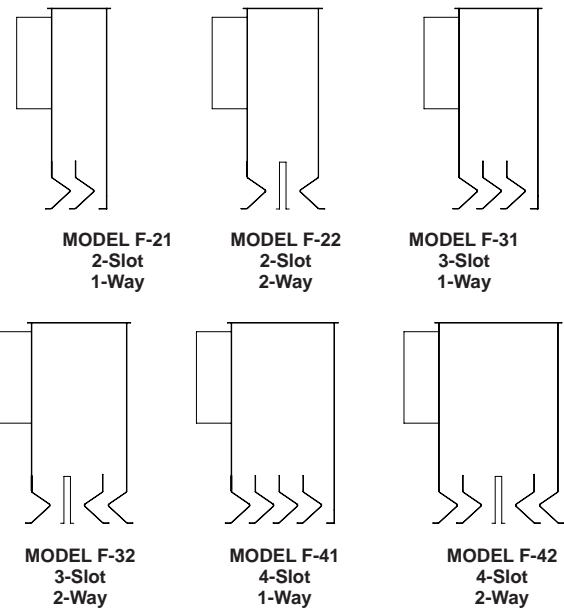
## 1 thru 4 Slot Models



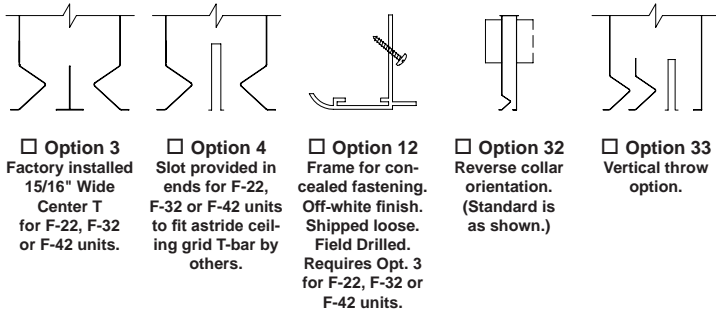
MODEL	DIFFUSER WIDTH W		
	ONE WAY	OPT. 3	OPT. 4
F-11	1.975	-	-
F-21	3.631	-	-
F-22	-	4.079	4.641
F-31	5.285	-	-
F-32	-	5.734	6.292
F-41	6.940	-	-
F-42	-	7.389	7.947

NOMINAL INLET SIZE	B	D	H
6" RD.	5-7/8"	5-7/8"	11-1/4"
8" RD.	7-7/8"	7-7/8"	
10" OV.	11-1/2"	8"	
12" OV.	14-1/2"	8"	13-1/4"
10" RD.	9-7/8"	9-7/8"	
12" RD.	11-7/8"	11-7/8"	

## SUPPLY PATTERNS - 2, 3 & 4 SLOTS F-22, F-32 & F-42 SHOWN WITH OPTION 4



### ACCESSORY OPTIONS



**Material:** 24 gauge zinc coated steel.  
**Finish:** All white face and interior.  
**Insulation:** 1/4" for 1 slot units and 1/2" for 2 or more slot units.

Inlet Collar Location:  
 Inlet collar may be offset for packaging purposes.

Quantity	Model	Length L	Height H	Insulation	Collar Size	Round or Oval Collar	Options	Tag

To maintain KEES' policy of continuous product improvement, we reserve the right to change prices, specifications, ratings or dimensions without notice or obligation.

<b>Project</b>				<b>Location</b>				
<b>Engineer</b>								
<b>Architect</b>				<b>Dwg. No.</b>	SD-F			
<b>Contractor</b>				<b>Date</b>	12/09			



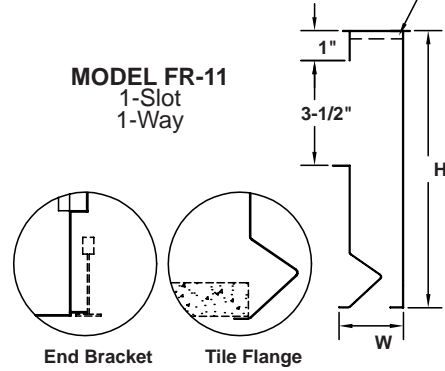
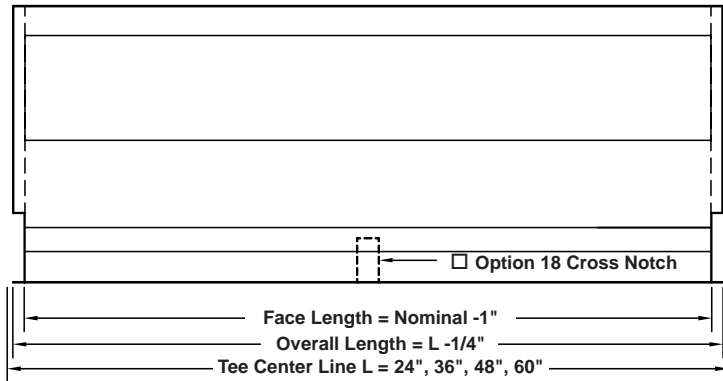
**KEES INCORPORATED**  
 400 S. Industrial Dr. • P.O. Box L  
 Elkhart Lake, WI 53020  
 Phone: (920) 876-3391  
 Fax: (920) 876-3065  
 Website: www.kees.com

# MODEL "FR" DIFFUSER WITH FIXED BLADE OPEN SIDE RETURN

## 1 thru 4 Slot Models

### FOR USE WITH 15/16" WIDE TEE CEILINGS

Option 1  
Internal  
Insulation On Top



**FOR DUCTED RETURN**  
**SEE REVERSE SIDE**

MODEL	DIFFUSER WIDTH W			H
	ONE WAY	OPT. 3	OPT. 4	
F-11	1.975	-	-	9-1/4"
F-21	3.631	-	-	
F-22	-	4.079	4.641	
F-31	5.285	-	-	
F-32	-	5.734	6.292	
F-41	6.940	-	-	
F-42	-	7.389	7.947	

**NON-DUCTED RETURN PATTERNS - 2, 3 & 4 SLOTS**  
**FR-22, FR-32 & FR-42 SHOWN WITH OPTION 4**

#### ACCESSORY OPTIONS

Option 3  
Factory installed  
15/16" Wide Center T  
for FR-22, FR-32  
or FR-42 units.

Option 4  
Slot provided in ends  
for FR-22, FR-32 or  
FR-42 units to fit  
astride ceiling grid  
T-bar by others.

Option 12  
Frame for concealed  
fastening. Off-white finish.  
Shipped loose. Field Drilled.  
Requires Opt. 3 for  
FR-22, FR-32 or FR-42 units.

**Material:** 24 gauge zinc coated steel.  
**Finish:** All white face and interior.  
**Insulation:** 1/4" for 1 slot units and 1/2" for 2 or more slot units.

Quantity	Model	Length L	Insulation	Options	Tag

To maintain KEES' policy of continuous product improvement, we reserve the right to change prices, specifications, ratings or dimensions without notice or obligation.

<b>Project</b>				<b>Location</b>		
<b>Engineer</b>				<b>KEES INCORPORATED</b> 400 S. Industrial Dr. • P.O. Box L Elkhart Lake, WI 53020 Phone: (920) 876-3391 Fax: (920) 876-3065 Website: www.kees.com		
<b>Architect</b>			<b>Dwg. No.</b>		SD-FR	
<b>Contractor</b>			<b>Date</b>		12/09	