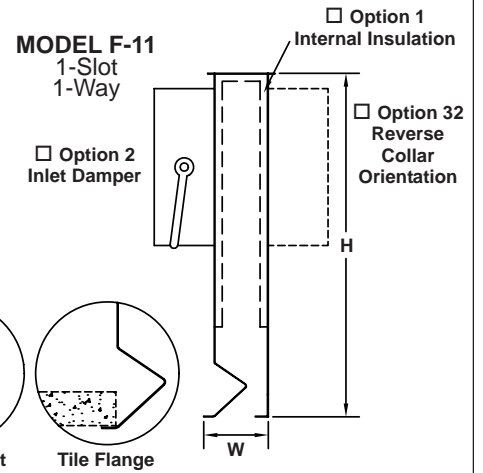
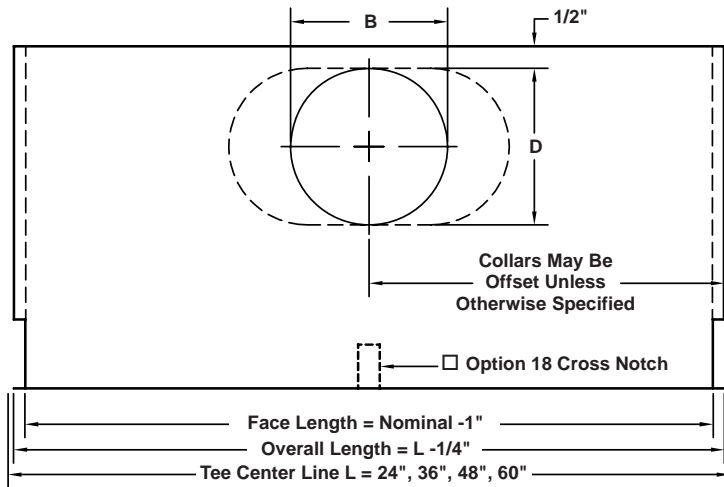


MODEL "F" DIFFUSER WITH FIXED BLADE FOR USE WITH 15/16" WIDE TEE CEILINGS

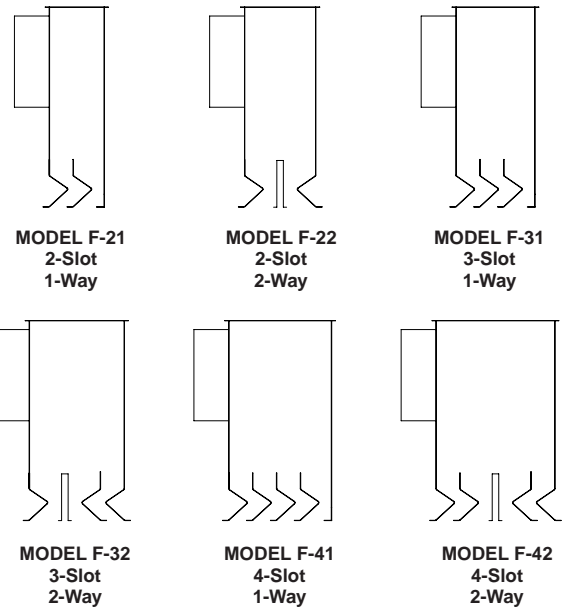
1 thru 4 Slot Models



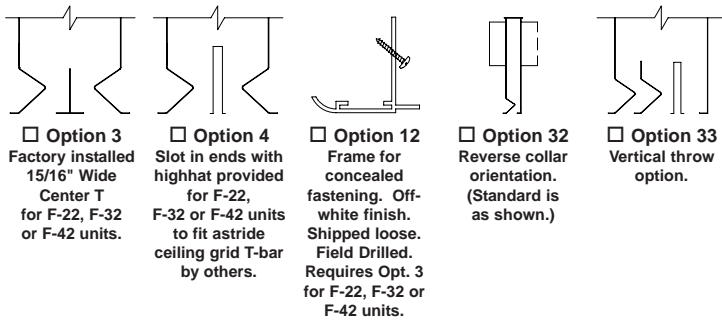
MODEL	DIFFUSER WIDTH W		
	ONE WAY	OPT. 3	OPT. 4
F-11	1.975	-	-
F-21	3.631	-	-
F-22	-	4.079	4.641
F-31	5.285	-	-
F-32	-	5.734	6.292
F-41	6.940	-	-
F-42	-	7.389	7.947

NOMINAL INLET SIZE	B	D	H
6" RD.	5-7/8"	5-7/8"	11-1/4"
8" RD.	7-7/8"	7-7/8"	
10" OV.	11-1/2"	8"	13-1/4"
10" RD.	9-7/8"	9-7/8"	
12" OV.	13-7/8"	9-9/16"	

SUPPLY PATTERNS - 2, 3 & 4 SLOTS F-22, F-32 & F-42 SHOWN WITH OPTION 4



ACCESSORY OPTIONS



Material: 24 gauge zinc coated steel.

Finish: All white face and interior.

Insulation: 1/4" for 1 slot units and 1/2" for 2 or more slot units.

Inlet Collar Location:

Inlet collar may be offset for packaging purposes.

Quantity	Model	Length L	Height H	Insulation	Collar Size	Round or Oval Collar	Options	Tag

To maintain KEES' policy of continuous product improvement, we reserve the right to change prices, specifications, ratings or dimensions without notice or obligation.

Project				Location				
Engineer								
Architect				Dwg. No.	SD-F			
Contractor				Date	06/07			



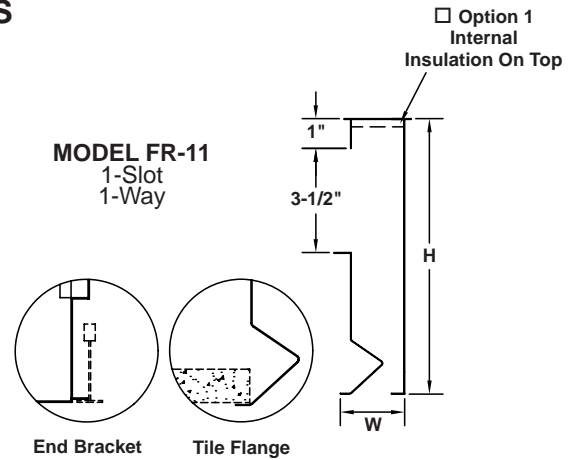
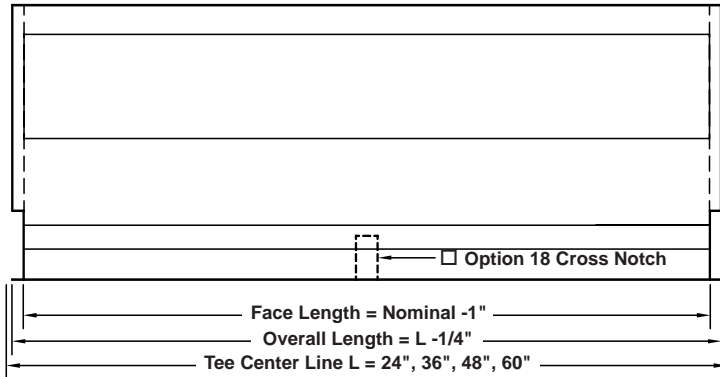
KEES INCORPORATED
400 S. Industrial Dr. • P.O. Box L
Elkhart Lake, WI 53020
Phone: (920) 876-3391
Fax: (920) 876-3065
Website: www.kees.com

MODEL "FR" DIFFUSER WITH FIXED BLADE

1 thru 4 Slot Models

OPEN SIDE RETURN

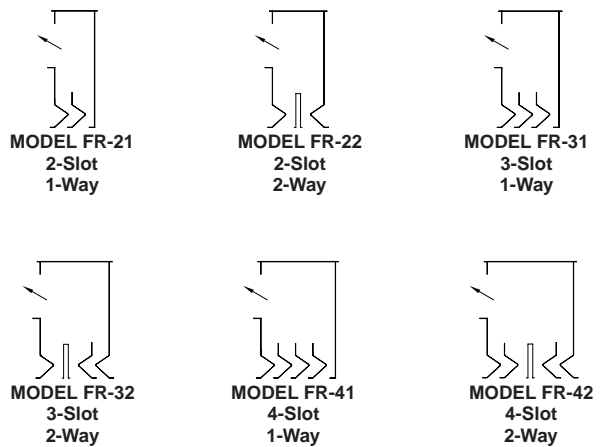
FOR USE WITH 15/16" WIDE TEE CEILINGS



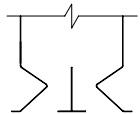
MODEL	DIFFUSER WIDTH W			H
	ONE WAY	OPT. 3	OPT. 4	
FR-11	1.975	-	-	9-1/4"
FR-21	3.631	-	-	
FR-22	-	4.079	4.641	
FR-31	5.285	-	-	
FR-32	-	5.734	6.292	
FR-41	6.940	-	-	
FR-42	-	7.389	7.947	

**FOR DUCTED RETURN
SEE REVERSE SIDE**

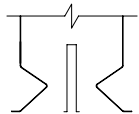
NON-DUCTED RETURN PATTERNS - 2, 3 & 4 SLOTS FR-22, FR-32 & FR-42 SHOWN WITH OPTION 4



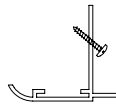
ACCESSORY OPTIONS



Option 3
Factory installed
15/16" Wide Center T
for FR-22, FR-32
or FR-42 units.



Option 4
Slot in ends with
highhat provided for
FR-22, FR-32 or
FR-42 units to fit
astride ceiling grid
T-bar by others.



Option 12
Frame for concealed
fastening. Off-white finish.
Shipped loose. Field Drilled.
Requires Opt. 3 for
FR-22, FR-32 or FR-42 units.


Material: 24 gauge zinc coated steel.

Finish: All white face and interior.

Insulation: 1/4" for 1 slot units and 1/2" for 2 or more slot units.

Quantity	Model	Length L	Insulation	Options	Tag

To maintain KEES' policy of continuous product improvement, we reserve the right to change prices, specifications, ratings or dimensions without notice or obligation.

Project				Location		
Engineer				 KEES INCORPORATED 400 S. Industrial Dr. • P.O. Box L Elkhart Lake, WI 53020 Phone: (920) 876-3391 Fax: (920) 876-3065 Website: www.kees.com		
Architect			Dwg. No.		SD-FR	
Contractor			Date		06/07	