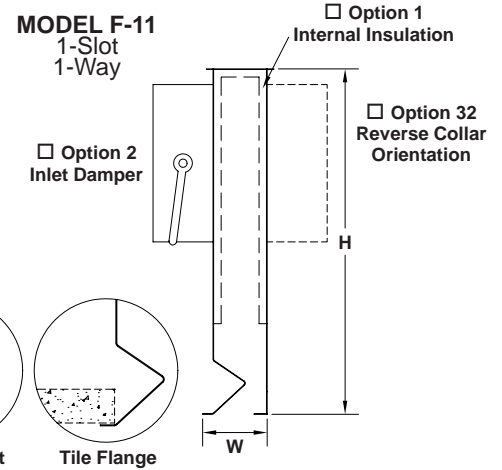
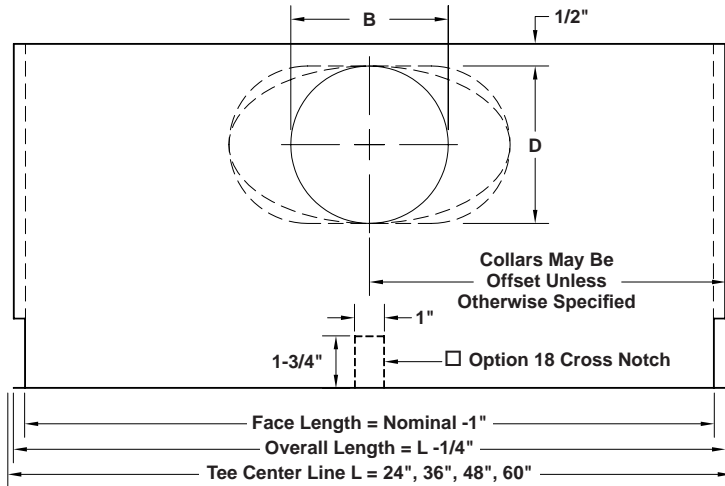


MODEL "F" DIFFUSER WITH FIXED BLADE

FOR USE WITH 15/16" WIDE TEE CEILINGS

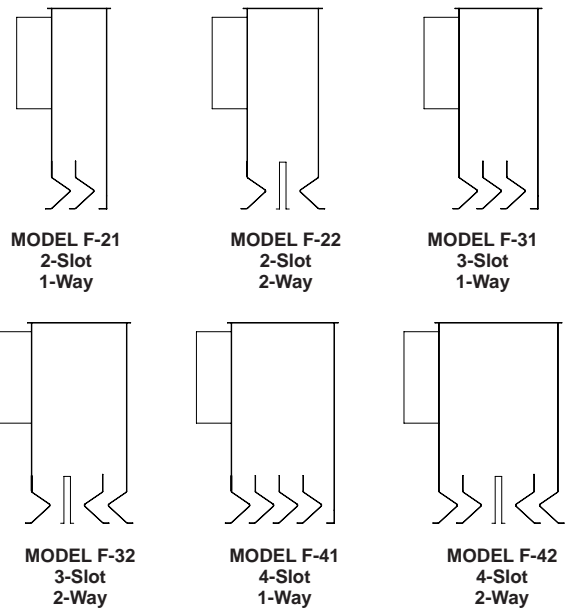
1 thru 4 Slot Models



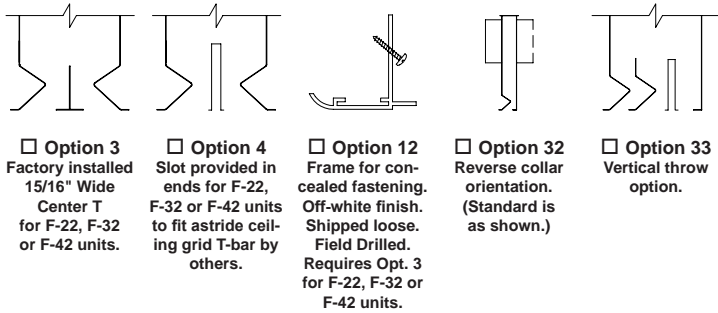
MODEL	DIFFUSER WIDTH W			NOMINAL INLET SIZE	B	D	H
	ONE WAY	OPT. 3	OPT. 4				
F-11	1.975	-	-	6" RD.	5-7/8"	5-7/8"	11-1/4"
F-21	3.631	-	-	8" RD.	7-7/8"	7-7/8"	
F-22	-	4.079	4.641	10" OV.	11-1/2"	8"	
F-31	5.285	-	-	12" SLOT	14-1/2"	8"	13-1/4"
F-32	-	5.734	6.292	10" RD.	9-7/8"	9-7/8"	
F-41	6.940	-	-	12" OV.	13-7/8"	9-9/16"	
F-42	-	7.389	7.947	12" RD.	11-7/8"	11-7/8"	15-1/4"

SUPPLY PATTERNS - 2, 3 & 4 SLOTS

F-22, F-32 & F-42 SHOWN WITH OPTION 4



ACCESSORY OPTIONS



Material: 24 gauge zinc coated steel.

Finish: All white face and interior.

Insulation: 1/4" for 1 slot units and 1/2" for 2 or more slot units.

Inlet Collar Location:

Inlet collar may be offset for packaging purposes.

Quantity	Model	Length L	Height H	Insulation	Collar Size	Round or Oval Collar	Options	Tag

To maintain KEES' policy of continuous product improvement, we reserve the right to change prices, specifications, ratings or dimensions without notice or obligation.

Project				Location				
Engineer								
Architect				Dwg. No.	SD-F			
Contractor				Date	05/10			



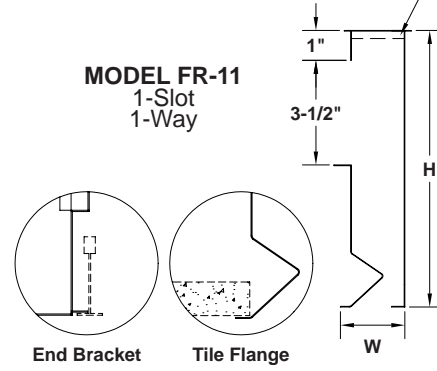
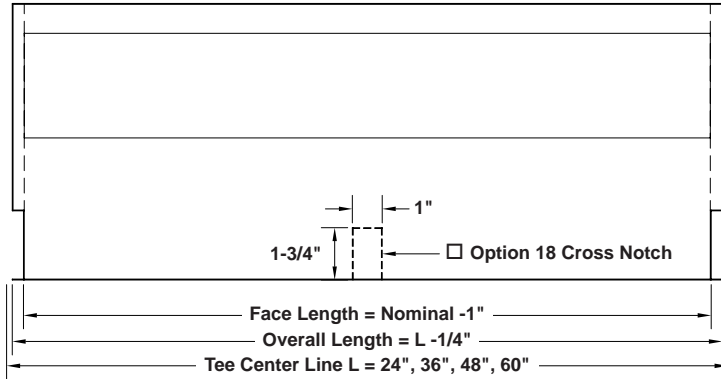
KEES INCORPORATED
 400 S. Industrial Dr. • P.O. Box L
 Elkhart Lake, WI 53020
 Phone: (920) 876-3391
 Fax: (920) 876-3065
 Website: www.kees.com

MODEL "FR" DIFFUSER WITH FIXED BLADE OPEN SIDE RETURN

1 thru 4 Slot Models

FOR USE WITH 15/16" WIDE TEE CEILINGS

Option 1
Internal
Insulation On Top



FOR DUCTED RETURN
SEE REVERSE SIDE

MODEL	DIFFUSER WIDTH W			H
	ONE WAY	OPT. 3	OPT. 4	
F-11	1.975	-	-	9-1/4"
F-21	3.631	-	-	
F-22	-	4.079	4.641	
F-31	5.285	-	-	
F-32	-	5.734	6.292	
F-41	6.940	-	-	
F-42	-	7.389	7.947	

NON-DUCTED RETURN PATTERNS - 2, 3 & 4 SLOTS
FR-22, FR-32 & FR-42 SHOWN WITH OPTION 4


ACCESSORY OPTIONS

- Option 3**
Factory installed 15/16" Wide Center T for FR-22, FR-32 or FR-42 units.
- Option 4**
Slot provided in ends for FR-22, FR-32 or FR-42 units to fit astride ceiling grid T-bar by others.
- Option 12**
Frame for concealed fastening. Off-white finish. Shipped loose. Field Drilled. Requires Opt. 3 for FR-22, FR-32 or FR-42 units.

Material: 24 gauge zinc coated steel.
Finish: All white face and interior.
Insulation: 1/4" for 1 slot units and 1/2" for 2 or more slot units.

Quantity	Model	Length L	Insulation	Options	Tag

To maintain KEES' policy of continuous product improvement, we reserve the right to change prices, specifications, ratings or dimensions without notice or obligation.

Project				Location		
Engineer				 KEES INCORPORATED 400 S. Industrial Dr. • P.O. Box L Elkhart Lake, WI 53020 Phone: (920) 876-3391 Fax: (920) 876-3065 Website: www.kees.com		
Architect						
Contractor						
Dwg. No.		SD-FR				
Date		05/10				