



DUCT ACCESS DOORS WITH VIEW-PORTS

Quantity						Glass		Standard Sizes				Round Glass Size D	No. of Cams			
Cammed			Hinged			Type	Single or Double	Door Size	Dim. A Width	Dim. B Height	Frame Neck O.D.		C, C-F	H, H-F	CD-HP	HD-HP
C	C-HP	C-F	H	H-HP	H-F											
								6 x 6	6	6	4-7/8" x 4-7/8"	2-3/4"	2	1	4	3
								8 x 8	8	8	6-7/8" x 6-7/8"	4-3/4"	2	1	4	3
								10 x 10	10	10	8-7/8" x 8-7/8"	4-3/4"	2	1	4	3
								12 x 12	12	12	10-7/8" x 10-7/8"	6-3/4"	2	1	4	3
								14 x 14	14	14	12-7/8" x 12-7/8"	6-3/4"	2	1	4	3
								16 x 16	16	16	14-7/8" x 14-7/8"	6-3/4"	4	2	8	6
								18 x 18	18	18	16-7/8" x 16-7/8"	6-3/4"	4	2	8	6
								20 x 20	20	20	18-7/8" x 18-7/8"	6-3/4"	4	2	8	6
								24 x 24	24	24	22-7/8" x 22-7/8"	6-3/4"	4	2	8	6

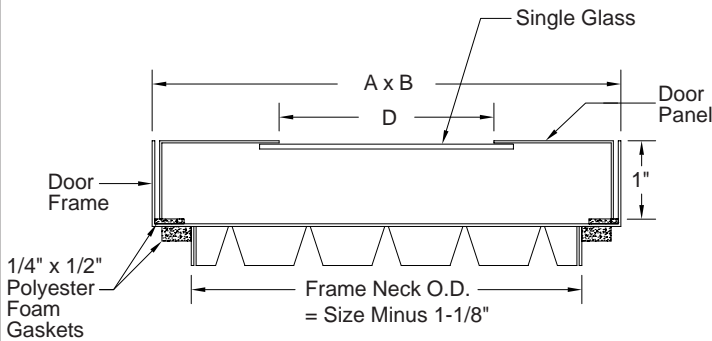
MODEL # C S - P (-F)(-HP)

C = Cam
H = Hinged

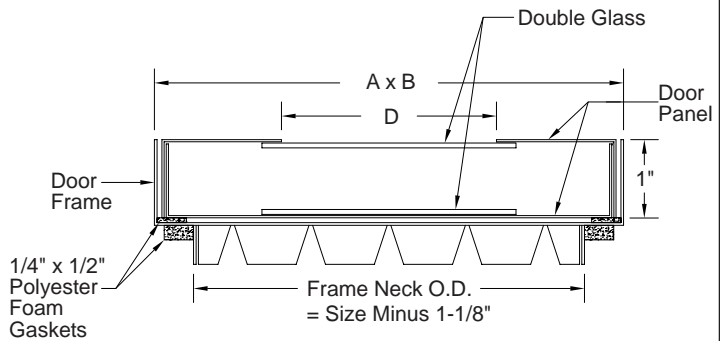
S = Single Glass
D = Double Glass

P = Plexiglass
W = Wireglass
L = Lexan

Add only if high pressure door (Double Glass Only).
Add only if with adapter for use in fiberboard ductwork.



SINGLE GLASS



DOUBLE GLASS

SPECIFICATIONS:

- DOOR PANEL: 24 gauge galvanized steel
- FRAME: 22 gauge galvanized steel

Also available with adapter to allow use in fiberglass ductwork - add suffix "F".
Double window doors 12" x 12" and larger are insulated with 1" thick rigid fiberglass.
Standard pressure construction to 4.5" S.P.
High pressure construction to 10" W.G.

To maintain KEES' policy of continuous product improvement, we reserve the right to change prices, specifications, ratings or dimensions without notice or obligation.

Project		Location			
Engineer					
Architect		Dwg. No.	SD-CH		
Contractor		Date	08-03		

KEES INCORPORATED
400 S. Industrial Dr. • P.O. Box L
Elkhart Lake, WI 53020
Phone: (920) 876-3391
Fax: (920) 876-3065
Website: www.kees.com