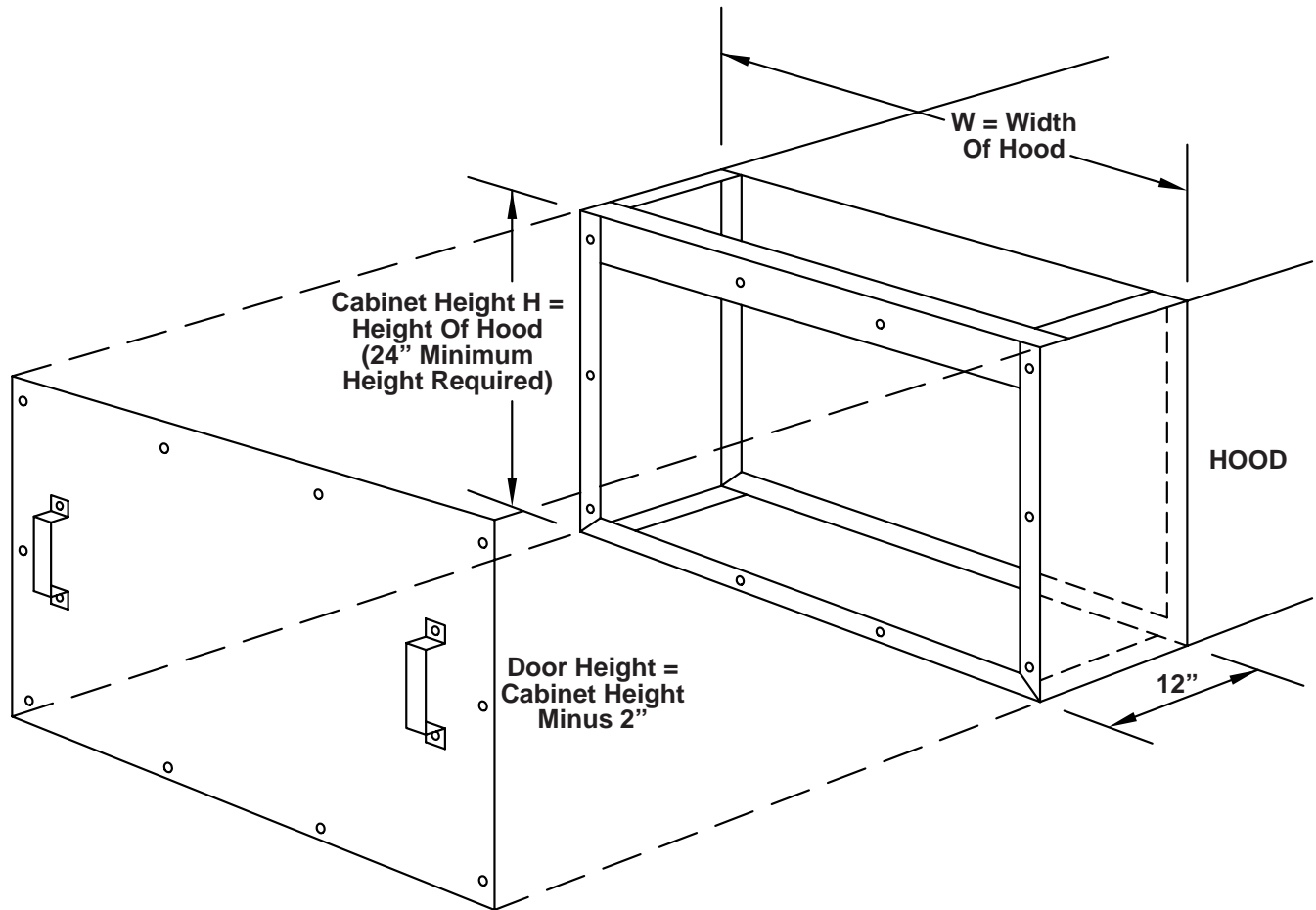


# OPTIONAL CABINET FOR FIRE PROTECTION OR CONTROLS

- 18 GA. 304 STAINLESS STEEL CONSTRUCTION -


- FACTORY ATTACHED TO HOOD -



Removable Cover Held In Place  
With Stainless Steel Screws 10" O.C.

**UL** US LISTED  
(U.L. Listed Hoods Only)

To maintain KEES' policy of continuous product improvement, we reserve the right to change prices, specifications, ratings or dimensions without notice or obligation.

<b>Project</b>		<b>Location</b>	
<b>Engineer</b>			
<b>Architect</b>	<b>Dwg. No.</b>	<b>SD-CAB</b>	 <b>KEES INCORPORATED</b> 400 S. Industrial Dr. • P.O. Box L Elkhart Lake, WI 53020 Phone: (920) 876-3391 Fax: (920) 876-3065 Website: www.kees.com
<b>Contractor</b>	<b>Date</b>	<b>04/09</b>	