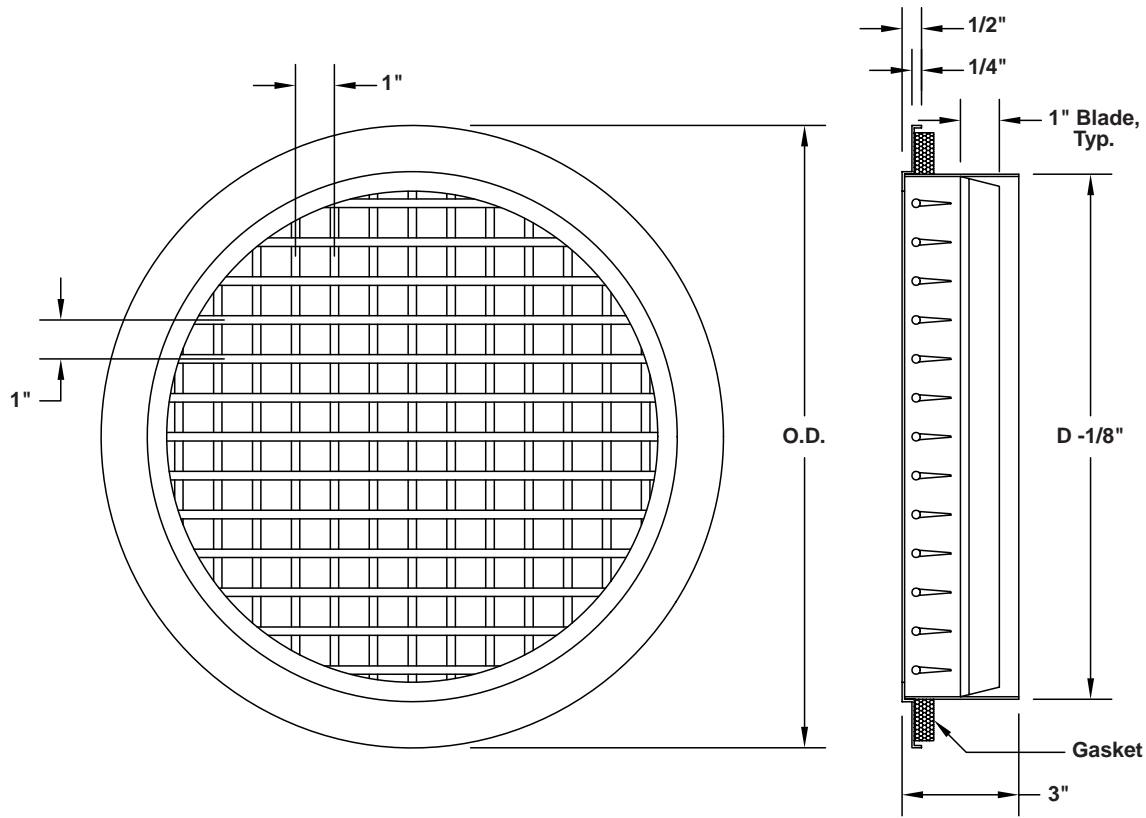




# ALUMINUM ROUND DOUBLE DEFLECTION GRILLE WITH 1" BLADE SPACING



**Available Standard Finishes:**

- White Powder Coat
- Gloss Black Powder Coat
- Flat Black Powder Coat
- Silver Metallic Powder Coat
- Primer
- Mill Aluminum

**Material:**

- Heavy Gauge Aluminum Construction
- 1" Extruded Airfoil Blades with 1" Spacing
- Foam Gasket

**Mounting:**

- Concealed Mounting Tabs

**Options:**

- Round Damper (Steel) Shipped Loose for Duct Mounting

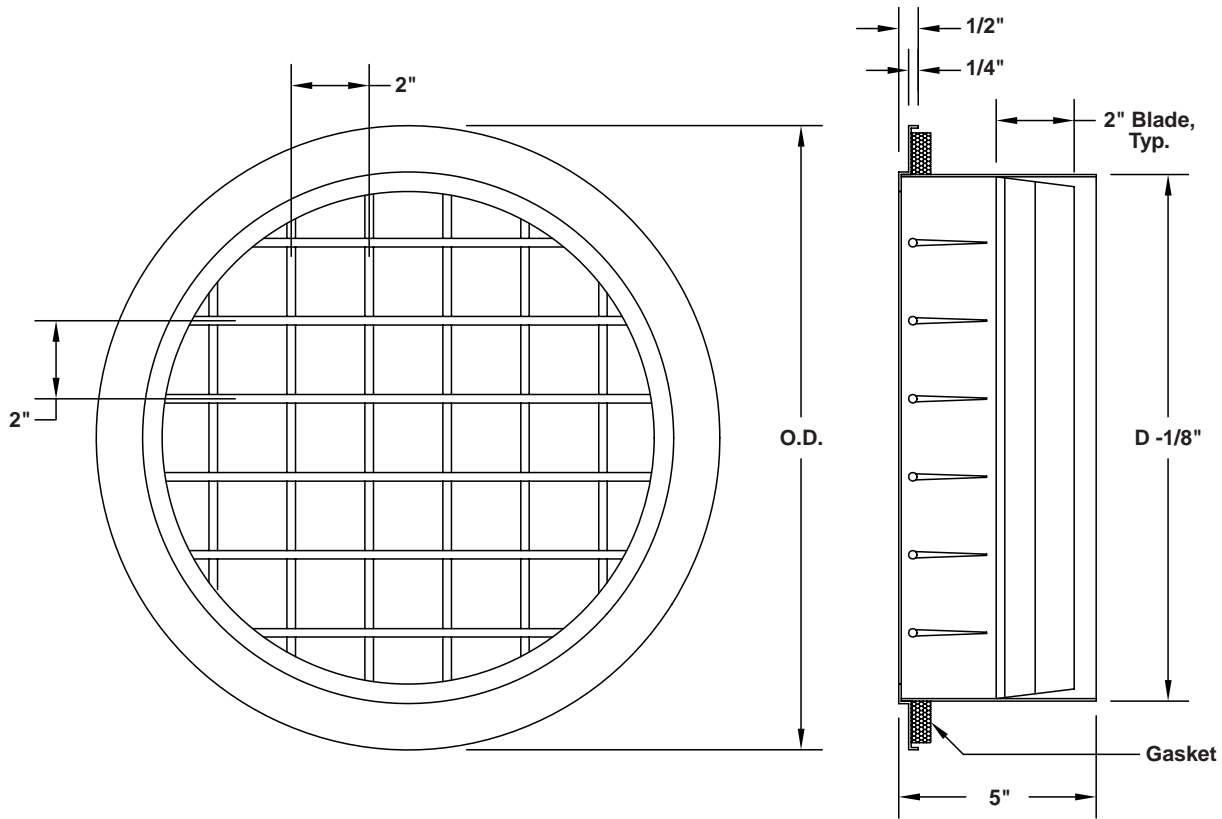
| Qty. | Model   | Size - D | O.D. | Finish | O.B.D. | Tag |
|------|---------|----------|------|--------|--------|-----|
|      | ARDD-06 | 6        | 8    |        |        |     |
|      | ARDD-08 | 8        | 10   |        |        |     |
|      | ARDD-10 | 10       | 12   |        |        |     |
|      | ARDD-12 | 12       | 14   |        |        |     |
|      | ARDD-14 | 14       | 16   |        |        |     |
|      | ARDD-16 | 16       | 18   |        |        |     |
|      | ARDD-18 | 18       | 20   |        |        |     |
|      | ARDD-20 | 20       | 22   |        |        |     |
|      | ARDD-22 | 22       | 24   |        |        |     |
|      | ARDD-24 | 24       | 26   |        |        |     |

To maintain KEES' policy of continuous product improvement, we reserve the right to change prices, specifications, ratings or dimensions without notice or obligation.

|                   |  |                 |                |  |
|-------------------|--|-----------------|----------------|--|
| <b>Project</b>    |  | <b>Location</b> |                | <p><b>KEES INCORPORATED</b><br/>         400 S. Industrial Dr. • P.O. Box L<br/>         Elkhart Lake, WI 53020<br/>         Phone: (920) 876-3391<br/>         Fax: (920) 876-3065<br/>         Website: www.kees.com</p> |
| <b>Engineer</b>   |  | <b>Dwg. No.</b> | <b>SD-ARDD</b> |  |
| <b>Architect</b>  |  | <b>Date</b>     | <b>03/07</b>   |  |
| <b>Contractor</b> |  |                 |                |  |



# ALUMINUM ROUND DOUBLE DEFLECTION GRILLE WITH 2" BLADE SPACING



**Available Standard Finishes:**

- White Powder Coat
- Gloss Black Powder Coat
- Flat Black Powder Coat
- Silver Metallic Powder Coat
- Primer
- Mill Aluminum

**Material:**

- Heavy Gauge Aluminum Construction
- 2" Extruded Airfoil Blades with 2" Spacing
- Foam Gasket

**Mounting:**

- Concealed Mounting Tabs

**Options:**

- Round Damper (Steel) Shipped Loose for Duct Mounting

| Qty. | Model    | Size - D | O.D. | Finish | O.B.D. | Tag |
|------|----------|----------|------|--------|--------|-----|
|      | ARDD2-08 | 8        | 10   |        |        |     |
|      | ARDD2-10 | 10       | 12   |        |        |     |
|      | ARDD2-12 | 12       | 14   |        |        |     |
|      | ARDD2-14 | 14       | 16   |        |        |     |
|      | ARDD2-16 | 16       | 18   |        |        |     |
|      | ARDD2-18 | 18       | 20   |        |        |     |
|      | ARDD2-20 | 20       | 22   |        |        |     |
|      | ARDD2-22 | 22       | 24   |        |        |     |
|      | ARDD2-24 | 24       | 26   |        |        |     |

To maintain KEES' policy of continuous product improvement, we reserve the right to change prices, specifications, ratings or dimensions without notice or obligation.

|                   |  |                 |                 |  |
|-------------------|--|-----------------|-----------------|--|
| <b>Project</b>    |  | <b>Location</b> |                 | <p><b>KEES INCORPORATED</b><br/>         400 S. Industrial Dr. • P.O. Box L<br/>         Elkhart Lake, WI 53020<br/>         Phone: (920) 876-3391<br/>         Fax: (920) 876-3065<br/>         Website: www.kees.com</p> |
| <b>Engineer</b>   |  | <b>Dwg. No.</b> | <b>SD-ARDD2</b> |  |
| <b>Architect</b>  |  | <b>Date</b>     | <b>03/07</b>    |  |
| <b>Contractor</b> |  |                 |                 |  |