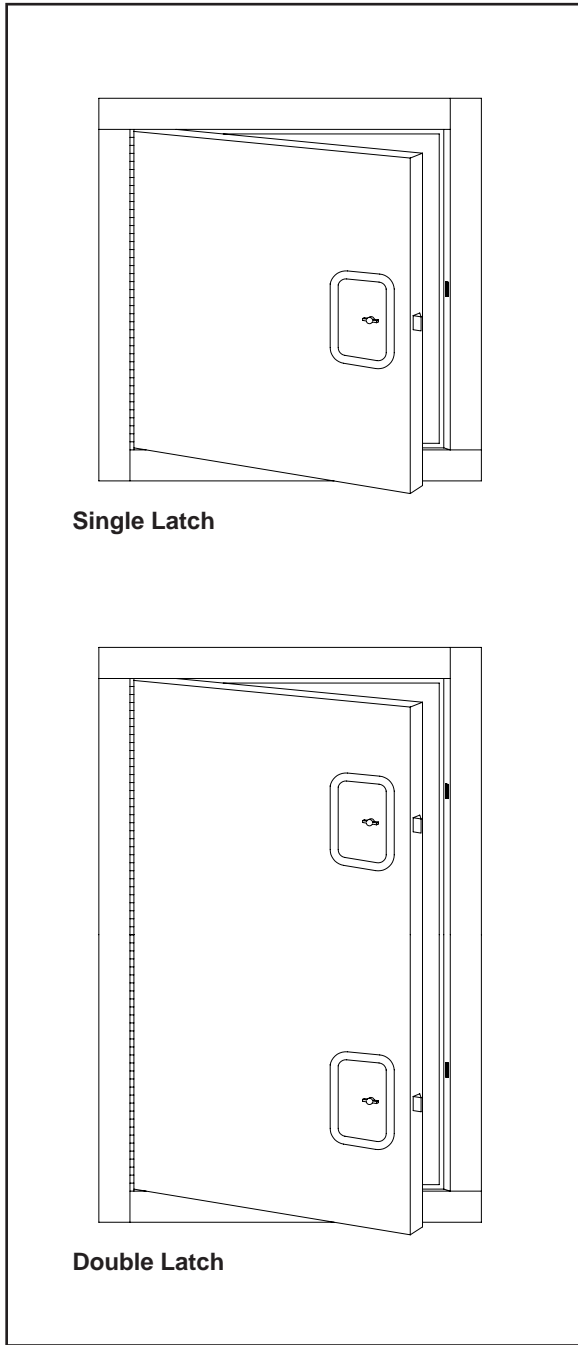




U.L. FIRE RATED ACCESS PANELS



AP-FR SERIES FIRE RATED ACCESS PANELS

Product

Fire rated access panel offers key lock or turn ring, continuous hinge, and quality appearance. This product meets the requirements of the International Building Code and is intended to be installed in accordance with NFPA 80.

1. Underwriters Laboratories 1-1/2 hour "B" label for use in 2 hour rated vertical fire barrier or in walls. (48" x 48" maximum door size). Tested in accordance with Standard UL 10B.

Warnock Hersey 3 hour label for use in noncombustible ceilings, 1 hour for use in wood framed ceilings (24" x 36" maximum door size). Tested in accordance with UL 10B and UL 262.

Warnock Hersey 1-1/2 hour label for use in wall. (48" x 48" maximum door size). Tested in accordance with Standard UL 10B.

2. Latch bolt is operated with either a key or turn ring which screws into the key slot for keyless operation (both are provided with door).
3. Grey enamel prime finish - Providing a smooth base for finished painting or covering.
4. Provided with screw holes and masonry anchors to facilitate installation in walls or ceilings.
5. Automatic Closing - Spring closer on all size panels assures positive latching as panel closes.
6. 1 - Latch on panels thru 22" x 30" and on 24" x 24", 24" x 30" and 30" x 30" panels.
2 - Latches on panels over 22" x 30" except for 24" x 24", 24" x 30", and 30" x 30" panels.

KEES STOCK SIZES

8 x 8	14 x 14	22 x 22	24 x 24	24 x 48	SEE REVERSE SIDE
10 x 10	16 x 16	22 x 30	24 x 30	30 x 30	
12 x 12	18 x 18	22 x 36	24 x 36	36 x 48	

OTHER SIZES

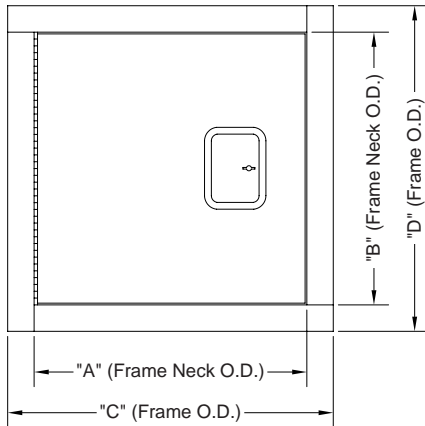
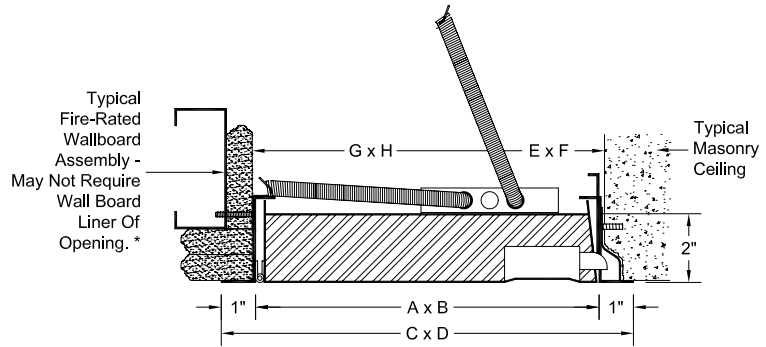


FIRE RATED ACCESS PANELS - MODEL AP-FR

U.L. 1-1/2 HOUR "B" LABEL FOR USE IN 2 HOUR FIRE BARRIER WALLS.
 WARNOCK HERSEY 3 HOUR LABEL FOR USE IN NON-COMBUSTIBLE CEILINGS (24" X 36" MAXIMUM).

CEILING INSTALLATION (Side View)

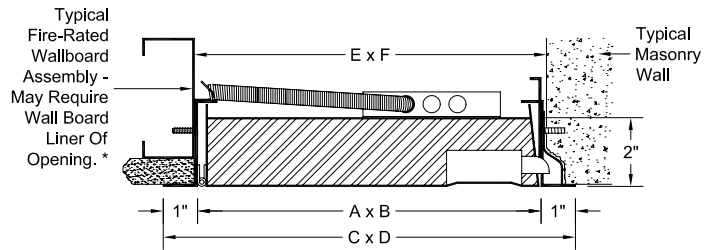
Use "E x F" Dimensions For Stud To Stud Or Masonry Installation Without Wallboard Liner,
 Use "G x H" Dimensions For 5/8" Wallboard Liner Of Opening On 4 Sides



Latch mechanism uses either a key or turn ring which screws into the key slot for keyless operation (both are provided with door).

WALL INSTALLATION (Top View)

1-1/2 Hour U.L. "B" Label In a 2 Hour Fire Barrier
 Use "E x F" Dimensions For Installation Without Wallboard Liner,
 Use "G x H" Dimensions For 5/8" Wallboard Liner Of Opening On 4 Sides



* Consult local code requirements for wall board requirements.

Qty.	Size	Frame Neck O.D. Nominal Size		Frame Outside Dimension		Unlined Opening Dimension		Lined Opening Dimension**		No. of Latches	Construction Details
		A	B	C	D	E	F	G	H		
	8 x 8	8	8	10	10	8-3/8	8-3/8	9-5/8	9-5/8	1	
	10 x 10	10	10	12	12	10-3/8	10-3/8	11-5/8	11-5/8	1	Hinge always furnished on height "B" dimension.
	12 x 12	12	12	14	14	12-3/8	12-3/8	13-5/8	13-5/8	1	
	12 x 18	12	18	14	20	12-3/8	18-3/8	13-5/8	19-5/8	1	
	12 x 24	12	24	14	26	12-3/8	24-3/8	13-5/8	25-5/8	1	
	14 x 14	14	14	16	16	14-3/8	14-3/8	15-5/8	15-5/8	1	
	16 x 16	16	16	18	18	16-3/8	16-3/8	17-5/8	17-5/8	1	
	18 x 18	18	18	20	20	18-3/8	18-3/8	19-5/8	19-5/8	1	
	18 x 24	18	24	20	26	18-3/8	24-3/8	19-5/8	25-5/8	1	
	20 x 30	20	30	22	32	20-3/8	30-3/8	21-5/8	31-5/8	1	
	22 x 22	22	22	24	24	22-3/8	22-3/8	23-5/8	23-5/8	1	
	22 x 30	22	30	24	32	22-3/8	30-3/8	23-5/8	31-5/8	1	
	22 x 36	22	36	24	38	22-3/8	36-3/8	23-5/8	37-5/8	2	
	24 x 24	24	24	26	26	24-3/8	24-3/8	25-5/8	25-5/8	1	
	24 x 30	24	30	26	32	24-3/8	30-3/8	25-5/8	31-5/8	2	
	24 x 36	24	36	26	38	24-3/8	36-3/8	25-5/8	37-5/8	2	
	24 x 48	24	48	26	50	24-3/8	48-3/8	25-5/8	49-5/8	2	
	30 x 30	30	30	32	32	30-3/8	30-3/8	31-5/8	31-5/8	2	
	30 x 36	30	36	32	38	30-3/8	36-3/8	37-5/8	37-5/8	2	
	32 x 32	32	32	34	34	32-3/8	32-3/8	33-5/8	33-5/8	2	
	36 x 36	36	36	38	38	36-3/8	36-3/8	37-5/8	37-5/8	2	
	36 x 48	36	48	38	50	36-3/8	48-3/8	49-5/8	49-5/8	2	
	48 x 48	48	48	50	50	48-3/8	48-3/8	49-5/8	49-5/8	2	
ALL OTHER SIZES AVAILABLE IF LESS THAN 48" x 48"											

**Based on 5/8" wallboard; adjust as necessary for other thicknesses.

To maintain KEES' policy of continuous product improvement, we reserve the right to change prices, specifications, ratings or dimensions without notice or obligation.

Project		Location	
Engineer		Dwg. No.	
Architect		SD-APR	
Contractor		Date	
		02/10	

KEES INCORPORATED
 400 S. Industrial Dr. • P.O. Box L
 Elkhart Lake, WI 53020
 Phone: (920) 876-3391
 Fax: (920) 876-3065
 Website: www.kees.com