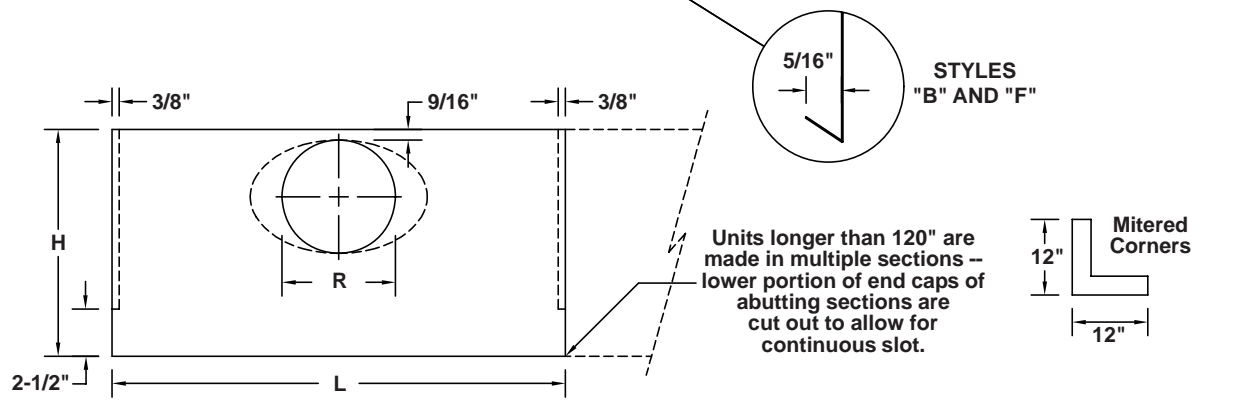
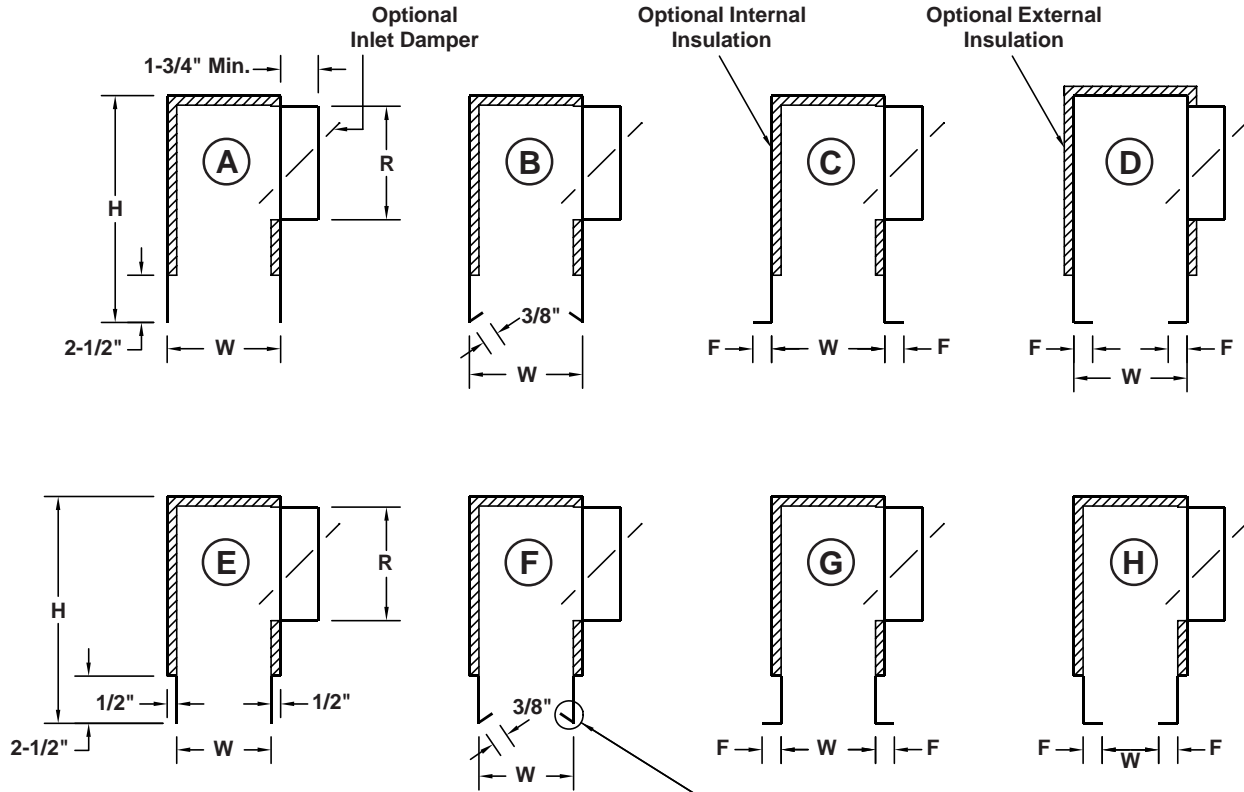


AIR DISTRIBUTION PLENUMS – MODEL ADP



Material: 24 ga. galvanized.
Insulation: 1/2" standard. Other thicknesses available.
Lengths: Any through 120" in one piece. Unlimited continuous length.
Inlets: All sizes. Oval inlets available at an extra charge.
Widths: 1/2" minimum - no limit on maximum. All sizes in between.

Qty.	Model	Insulation		L	W	H	R	F	Damper	Special	Tag
		Internal	External								

To maintain KEES' policy of continuous product improvement, we reserve the right to change prices, specifications, ratings or dimensions without notice or obligation.

Project		Location	
Engineer			
Architect		Dwg. No.	SD-ADP
Contractor		Date	06/07

KEES INCORPORATED
 400 S. Industrial Dr. • P.O. Box L
 Elkhart Lake, WI 53020
 Phone: (920) 876-3391
 Fax: (920) 876-3065
 Website: www.kees.com