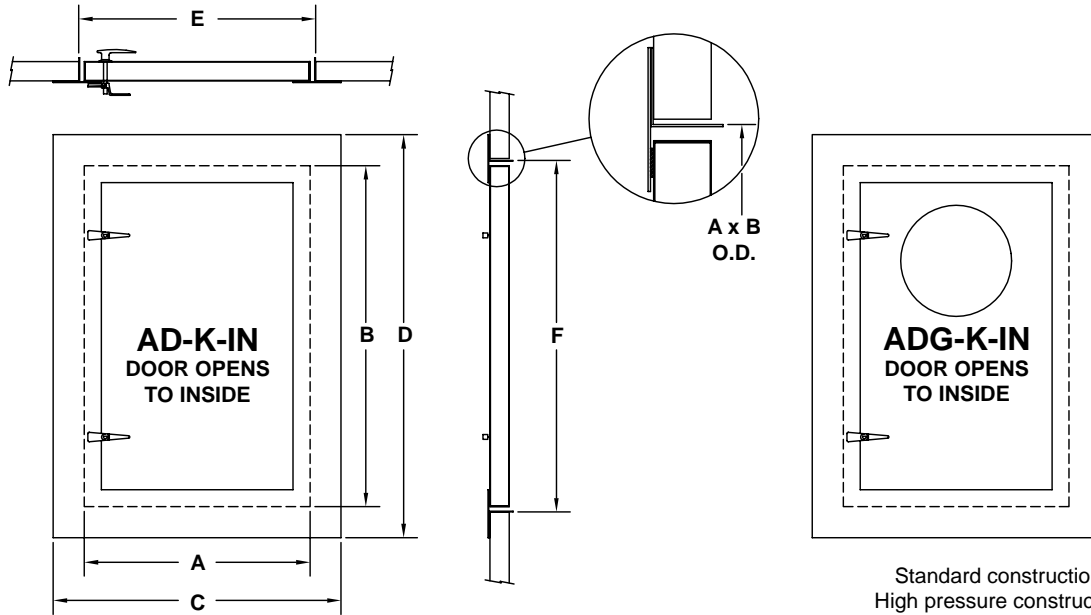




WALK-IN STYLE ACCESS DOORS

MODEL AD-K-IN



Standard construction to 4.5" S.P.
High pressure construction to 10" S.P.

Qty.	Model	Size	Frame Neck O.D. Nominal Size		Frame Outside Dimension		Duct Opening Dimension		No. of Latches	No. of High Pressure Latches	Construction Details
			A	B	C	D	E	F			
		18 x 36	18	36	20-3/4	38-3/4	18-1/4	36-1/4	2	2	Hinge always furnished on height "B" dimension. Advise if hinge is on left or right side, facing door from outside. FLANGED FRAME 16 ga. galvanized steel. DOOR PANEL FRAME .060 - 6063 extruded aluminum. DOOR PANEL 24 ga. galvanized steel.
		18 x 48	18	48	20-3/4	50-3/4	18-1/4	48-1/4	2	3	
		18 x 54	18	54	20-3/4	56-3/4	18-1/4	54-1/4	3	3	
		18 x 60	18	60	20-3/4	62-3/4	18-1/4	60-1/4	3	3	
		18 x 72	18	72	20-3/4	74-3/4	18-1/4	72-1/4	3	3	
		18 x 84	18	84	20-3/4	86-3/4	18-1/4	84-1/4	3	3	
		18 x 96	18	96	20-3/4	98-3/4	18-1/4	96-1/4	3	3	DOOR PANEL 24 ga. galvanized steel. HANDLES Ventlock #202 - shipped loose for field installation. Work from inside and outside. INSULATION 1 in. fiberglass. GASKET Closed cell neoprene gasket. HINGE Continuous steel - zinc-plated.
		24 x 36	24	36	26-3/4	38-3/4	24-1/4	36-1/4	2	4	
		24 x 48	24	48	26-3/4	50-3/4	24-1/4	48-1/4	2	5	
		24 x 54	24	54	26-3/4	56-3/4	24-1/4	54-1/4	3	5	
		24 x 60	24	60	26-3/4	62-3/7	24-1/4	60-1/4	3	5	
		24 x 72	24	72	26-3/4	74-3/4	24-1/4	72-1/4	3	5	
		24 x 84	24	84	26-3/4	86-3/4	24-1/4	84-1/4	3	5	OPTIONAL PLEXIGLASS VIEW-PORT 6-3/4" round double pane (Models ADG-K-IN and ADG-K-IN-HP). Advise if hinge is on left or right side, facing door from outside. OPTIONAL HIGH PRESSURE MODELS Models AD-K-IN-HP and ADG-K-IN-HP have all caulked joints. All materials are mill finish.
		24 x 96	24	96	26-3/4	98-3/4	24-1/4	96-1/4	3	5	
		30 x 60	30	60	32-3/4	62-3/4	30-1/4	60-1/4	5	5	
		30 x 72	30	72	32-3/4	74-3/4	30-1/4	72-1/4	5	5	
		30 x 84	30	84	32-3/4	86-3/4	30-1/4	84-1/4	5	*	
		30 x 96	30	96	32-3/4	98-3/4	30-1/4	96-1/4	5	*	
		36 x 60	36	60	38-3/4	62-3/4	36-1/4	60-1/4	5	5	* Use AD2-K-IN-HP
		36 x 72	36	72	38-3/4	74-3/4	36-1/4	72-1/4	5	5	
		36 x 84	36	84	38-3/4	86-3/4	36-1/4	84-1/4	5	*	
		36 x 96	36	96	38-3/4	98-3/4	36-1/4	96-1/4	5	*	

To maintain KEES' policy of continuous product improvement, we reserve the right to change prices, specifications, ratings or dimensions without notice or obligation.

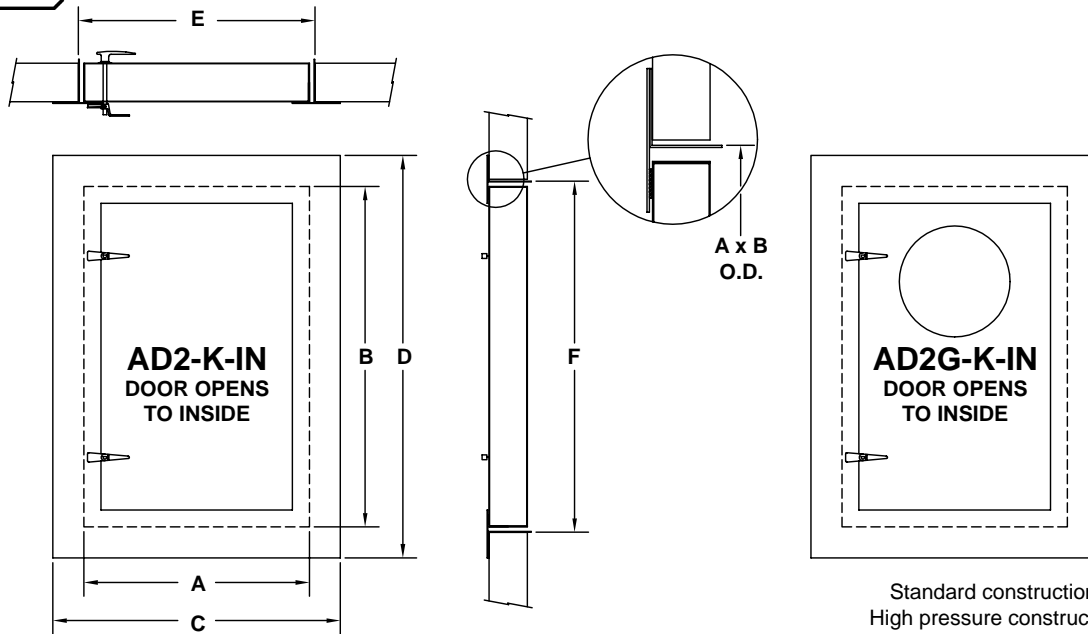
Project		Location		
Engineer				
Architect		Dwg. No.	SD-ADK-IN	
Contractor		Date	03/08	

KEES INCORPORATED
400 S. Industrial Dr. • P.O. Box L
Elkhart Lake, WI 53020
Phone: (920) 876-3391
Fax: (920) 876-3065
Website: www.kees.com



WALK-IN STYLE ACCESS DOORS

MODELS AD2-K-IN AND AD4-K-IN



Standard construction to 4.5" S.P.
High pressure construction to 10" S.P.

Qty.	Model	Size	Frame Neck O.D. Nominal Size		Frame Outside Dimension		Duct Opening Dimension		No. of Latches	No. of High Pressure Latches	Construction Details
			A	B	C	D	E	F			
		18 x 36	18	36	22	40	18-1/4	36-1/4	2	2	<p>Hinge always furnished on height "B" dimension. Advise if hinge is on left or right side, facing door from outside.</p> <p>FLANGED FRAME 14 ga. galvanized steel.</p> <p>DOOR PANEL 18 ga. galvanized steel.</p> <p>HANDLES Ventlock #260 - shipped loose for field installation on 2" models or T-handle on 4" models. Work from inside and outside.</p> <p>INSULATION 2 in. or 4 in. fiberglass.</p> <p>GASKET Closed cell neoprene gasket.</p> <p>HINGE Continuous steel - zinc-plated.</p> <p>OPTIONAL PLEXIGLASS VIEW-PORT 6-3/4" round double pane (Models AD2G-K-IN and AD2G-K-IN-HP). Advise if hinge is on left or right side, facing door from outside.</p> <p>OPTIONAL HIGH PRESSURE MODELS Models AD2-K-IN-HP, AD2G-K-IN-HP, AD4-K-IN-HP and AD4G-K-IN-HP have all caulked joints.</p> <p>All materials are mill finish.</p>
		18 x 48	18	48	22	52	18-1/4	48-1/4	2	3	
		18 x 54	18	54	22	58	18-1/4	54-1/4	2	3	
		18 x 60	18	60	22	64	18-1/4	60-1/4	2	3	
		18 x 72	18	72	22	76	18-1/4	72-1/4	2	3	
		18 x 84	18	84	22	88	18-1/4	84-1/4	3	3	
		18 x 96	18	96	22	100	18-1/4	96-1/4	3	3	
		24 x 36	24	36	28	40	24-1/4	36-1/4	2	4	
		24 x 48	24	48	28	52	24-1/4	48-1/4	2	5	
		24 x 54	24	54	28	58	24-1/4	54-1/4	2	5	
		24 x 60	24	60	28	64	24-1/4	60-1/4	2	5	
		24 x 72	24	72	28	76	24-1/4	72-1/4	2	5	
		24 x 84	24	84	28	88	24-1/4	84-1/4	3	5	
		24 x 96	24	96	28	100	24-1/4	96-1/4	3	5	
		30 x 60	30	60	34	64	30-1/4	60-1/4	2	5	
		30 x 72	30	72	34	76	30-1/4	72-1/4	2	5	
		30 x 84	30	84	34	88	30-1/4	84-1/4	3	5	
		30 x 96	30	96	34	100	30-1/4	96-1/4	3	5	
		36 x 60	36	60	40	64	36-1/4	60-1/4	2	5	
		36 x 72	36	72	40	76	36-1/4	72-1/4	2	5	
		36 x 84	36	84	40	88	36-1/4	84-1/4	3	5	
		36 x 96	36	96	40	100	36-1/4	96-1/4	3	5	

To maintain KEES' policy of continuous product improvement, we reserve the right to change prices, specifications, ratings or dimensions without notice or obligation.

Project		Location		
Engineer				
Architect		Dwg. No.	SD-AD2K-IN	
Contractor		Date	03/08	

KEES INCORPORATED
 400 S. Industrial Dr. • P.O. Box L
 Elkhart Lake, WI 53020
 Phone: (920) 876-3391
 Fax: (920) 876-3065
 Website: www.kees.com