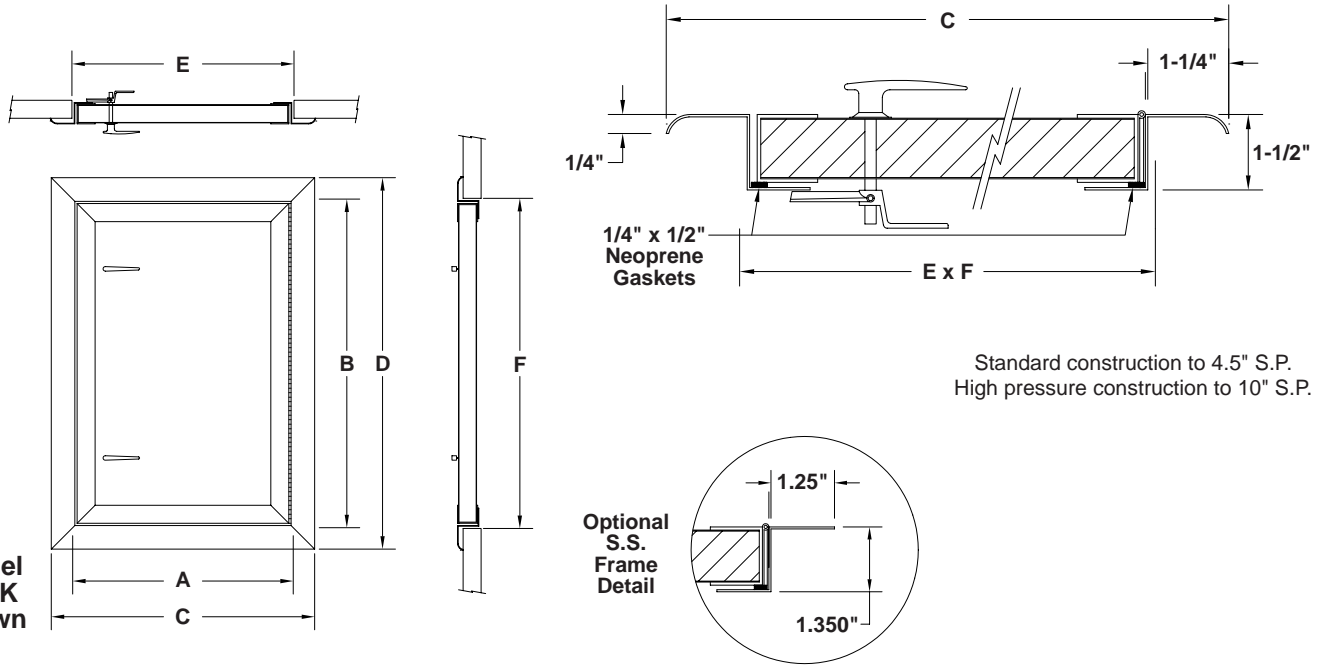


Model  
AD-K  
shown




Standard construction to 4.5" S.P.  
High pressure construction to 10" S.P.

Clear Opening Dimensions = Frame Neck O.D. Minus 2.125"

Qty.	Model	Size	Frame Neck O.D. Nominal Size		Frame Outside Dimension		Duct Opening Dimension		No. of Latches	High Pressure No. of Latches	Construction Details
			A	B	C	D	E	F			
		18 x 36	18	36	20-1/2	38-1/2	18-1/4	36-1/4	2	2	Hinge always furnished on height "B" dimension.  <b>FLANGED FRAME</b> .060 - 6063 extruded aluminum  <b>DOOR PANEL FRAME</b> .060 - 6063 extruded aluminum  <b>DOOR PANEL</b> 24 ga. galvanized steel  <b>HANDLES</b> Work from inside and outside  <b>INSULATION</b> 1 in. fiberglass  <b>GASKET</b> Closed cell neoprene gasket  <b>HINGE</b> Continuous steel - zinc-plated
		18 x 48	18	48	20-1/2	50-1/2	18-1/4	48-1/4	2	3	
		18 x 54	18	54	20-1/2	56-1/2	18-1/4	54-1/4	3	3	
		18 x 60	18	60	20-1/2	62-1/2	18-1/4	60-1/4	3	3	
		18 x 72	18	72	20-1/2	74-1/2	18-1/4	72-1/4	3	3	
		18 x 84	18	84	20-1/2	86-1/2	18-1/4	84-1/4	3	3	
		18 x 96	18	96	20-1/2	98-1/2	18-1/4	96-1/4	3	3	
		24 x 36	24	36	26-1/2	38-1/2	24-1/4	36-1/4	2	4	<b>OPTIONAL PLEXIGLASS VIEW-PORT</b> 6-3/4" round double pane (Models ADG-K or ADG-K-HP). Advise if hinge is on left or right side, facing door from outside.  <b>OPTIONAL S.S. CONSTRUCTION</b> Stainless steel door, frame and hinge  <b>OPTIONAL ALL ALUM. CONSTRUCTION</b> Standard construction with aluminum door panel  * Use AD2-K-HP  All materials are mill finish.
		24 x 48	24	48	26-1/2	50-1/2	24-1/4	48-1/4	2	5	
		24 x 54	24	54	26-1/2	56-1/2	24-1/4	54-1/4	3	5	
		24 x 60	24	60	26-1/2	62-1/2	24-1/4	60-1/4	3	5	
		24 x 72	24	72	26-1/2	74-1/2	24-1/4	72-1/4	3	5	
		24 x 84	24	84	26-1/2	86-1/2	24-1/4	84-1/4	3	5	
		24 x 96	24	96	26-1/2	98-1/2	24-1/4	96-1/4	3	5	
		30 x 60	30	60	32-1/2	62-1/2	30-1/4	60-1/4	5	5	
		30 x 72	30	72	32-1/2	74-1/2	30-1/4	72-1/4	5	5	
		30 x 84	30	84	32-1/2	86-1/2	30-1/4	84-1/4	5	*	
		30 x 96	30	96	32-1/2	98-1/2	30-1/4	96-1/4	5	*	
		36 x 60	36	60	38-1/2	62-1/2	36-1/4	60-1/4	5	5	
		36 x 72	36	72	38-1/2	74-1/2	36-1/4	72-1/4	5	5	
		36 x 84	36	84	38-1/2	86-1/2	36-1/4	84-1/4	5	*	
		36 x 96	36	96	38-1/2	98-1/2	36-1/4	96-1/4	5	*	

To maintain KEES' policy of continuous product improvement, we reserve the right to change prices, specifications, ratings or dimensions without notice or obligation.

<b>Project</b>		<b>Location</b>		 <b>KEES INCORPORATED</b> 400 S. Industrial Dr. • P.O. Box L Elkhart Lake, WI 53020 Phone: (920) 876-3391 Fax: (920) 876-3065 Website: www.kees.com
<b>Engineer</b>		<b>Dwg. No.</b>	<b>SD-ADK</b>	
<b>Architect</b>		<b>Date</b>	<b>12/08</b>	
<b>Contractor</b>				