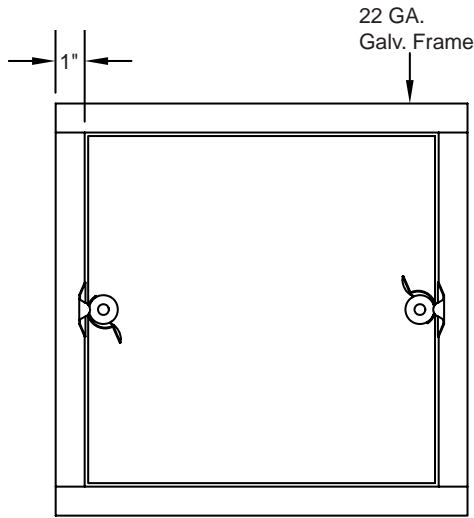
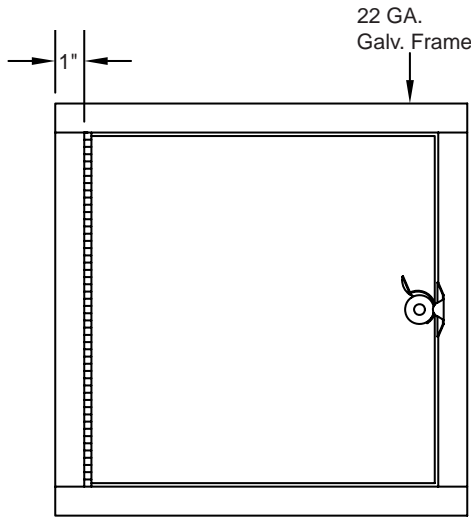




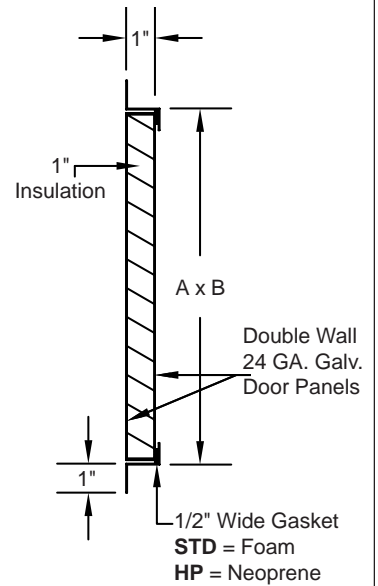
"F" SERIES FLANGED MOUNT ACCESS DOORS



FC - Cammed
FC-HP - Cammed High Pressure



FH - Hinged
FH-HP - Hinged High Pressure



- WINDOW OPTIONS:**
 -DP - Plexiglass
 -DL - Lexan
 -DW - Wireglass
- MATERIAL OPTION:**
 -SS - 24 GA. S.S., S.S. Hinge
 and/or Cams and Strikers

Standard Pressure Rating: 4-1/2 I.W.G.
High Pressure Rating: 10 I.W.G.

STANDARD SIZES

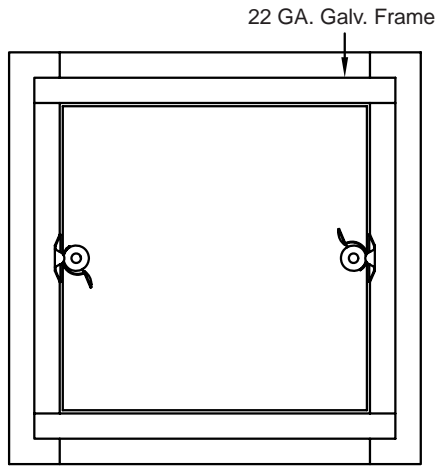
Quantity				Optional Window	Size	Dim. A Width	Dim. B Height	Duct Opening	Number of Latches			
FC	FC-HP	FH	FH-HP						FC	FC-HP	FH	FH-HP
					6 x 6	6	6	6-1/8" x 6-1/8"	2	4	1	3
					8 x 8	8	8	8-1/8" x 8-1/8"	2	4	1	3
					10 x 10	10	10	10-1/8" x 10-1/8"	2	4	1	3
					12 x 12	12	12	12-1/8" x 12-1/8"	2	4	1	3
					14 x 14	14	14	14-1/8" x 14-1/8"	2	4	1	3
					16 x 16	16	16	16-1/8" x 16-1/8"	4	8	2	6
					18 x 18	18	18	18-1/8" x 18-1/8"	4	8	2	6
					20 x 20	20	20	20-1/8" x 20-1/8"	4	8	2	6
					24 x 24	24	24	24-1/8" x 24-1/8"	4	8	2	6

To maintain KEES' policy of continuous product improvement, we reserve the right to change prices, specifications, ratings or dimensions without notice or obligation.

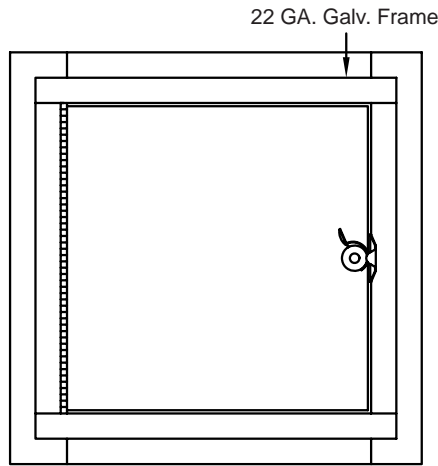
Project				Location			
Engineer							<p>KEES INCORPORATED 400 S. Industrial Dr. • P.O. Box L Elkhart Lake, WI 53020 Phone: (920) 876-3391 Fax: (920) 876-3065 Website: www.kees.com</p>
Architect			Dwg. No.	SD-FC			
Contractor			Date	06/07			



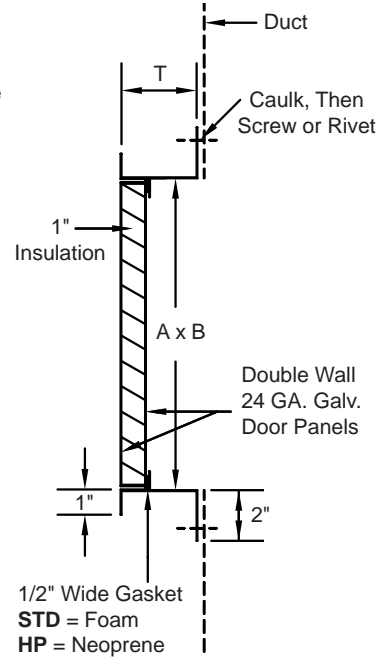
"F" SERIES FLANGED MOUNT ACCESS DOORS WITH INSULATION STOP



FC-IS - Cammed With Insulation Stop
FC-IS-HP - Cammed High Pressure With Insulation Stop



FH-IS - Hinged With Insulation Stop
FH-IS-HP - Hinged High Pressure With Insulation Stop



Standard Pressure Rating: 4-1/2 I.W.G.
High Pressure Rating: 10 I.W.G.

- WINDOW OPTIONS:**
 -DP - Plexiglass
 -DL - Lexan
 -DW - Wireglass
- MATERIAL OPTION:**
 -SS - 24 GA. S.S., S.S. Hinge and/or Cams and Strikers

STANDARD SIZES

Quantity				Optional Window	Size	Dim. A Width	Dim. B Height	Insulation Thickness T	Number of Latches			
FC-IS	FC-IS-HP	FH-IS	FH-IS-HP						FC-IS	FC-IS-HP	FH-IS	FH-IS-HP
					6 x 6	6	6		2	4	1	3
					8 x 8	8	8		2	4	1	3
					10 x 10	10	10		2	4	1	3
					12 x 12	12	12		2	4	1	3
					14 x 14	14	14		2	4	1	3
					16 x 16	16	16		4	8	2	6
					18 x 18	18	18		4	8	2	6
					20 x 20	20	20		4	8	2	6
					24 x 24	24	24		4	8	2	6

To maintain KEES' policy of continuous product improvement, we reserve the right to change prices, specifications, ratings or dimensions without notice or obligation.

Project				Location					
Engineer				KEES INCORPORATED 400 S. Industrial Dr. • P.O. Box L Elkhart Lake, WI 53020 Phone: (920) 876-3391 Fax: (920) 876-3065 Website: www.kees.com					
Architect								Dwg. No.	SD-FC-IS
Contractor								Date	06/07

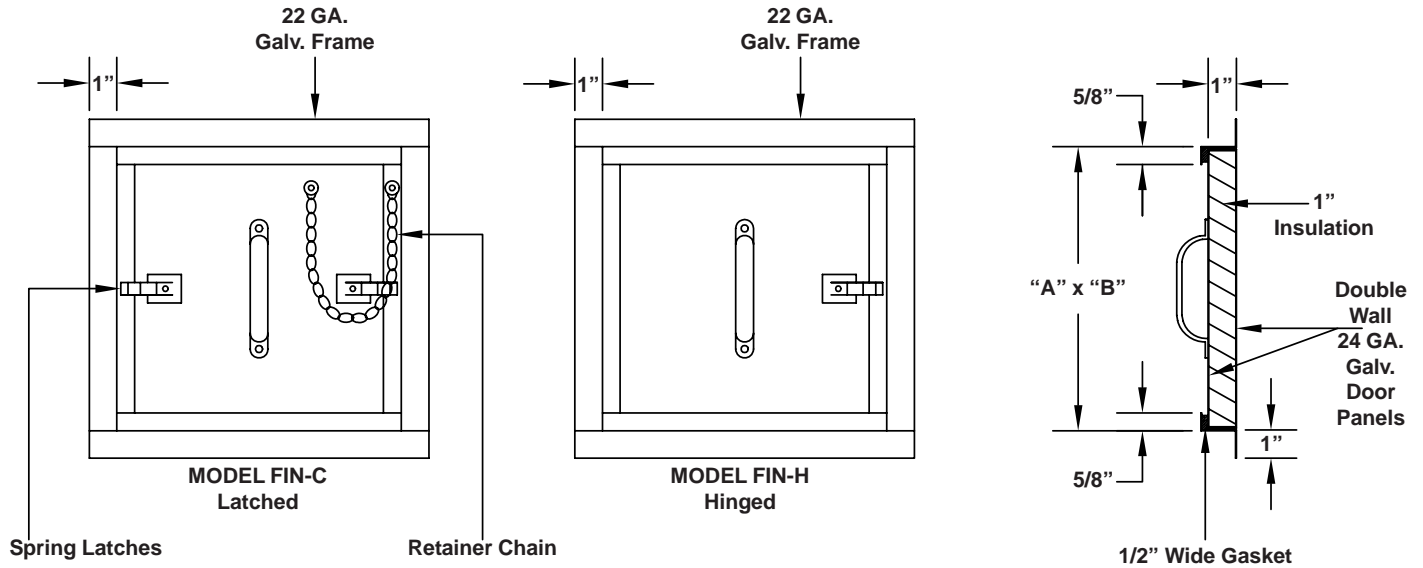


DUCT ACCESS DOORS

Models FIN-C and FIN-H

Opens Into Duct - For Use In Positive Pressure Ducts

NOTE: NOT INTENDED FOR USE AS A PRESSURE RELIEF DOOR.



STANDARD SIZES

Quantity		SIZE	Dim. A Width	Dim. B Height	Duct Opening	No. of Latches	
FIN-C	FIN-H					FIN-C	FIN-H
		6" x 6"	6"	6"	6-1/8" x 6-1/8"	2	1
		8" x 8"	8"	8"	8-1/8" x 8-1/8"	2	1
		10" x 10"	10"	10"	10-1/8" x 10-1/8"	2	1
		12" x 12"	12"	12"	12-1/8" x 12-1/8"	2	1
		12" x 18"	12"	18"	12-1/8" x 18-1/8"	2	1
		14" x 14"	14"	14"	14-1/8" x 14-1/8"	2	1
		16" x 16"	16"	16"	16-1/8" x 16-1/8"	4	2
		18" x 18"	18"	18"	18-1/8" x 18-1/8"	4	2
		24" x 24"	24"	24"	24-1/8" x 24-1/8"	4	2

To maintain KEES' policy of continuous product improvement, we reserve the right to change prices, specifications, ratings or dimensions without notice or obligation.

Project		Location	
Engineer			
Architect		Dwg. No.	SD-ADFIN
Contractor		Date	04/02

KEES INCORPORATED
 400 S. Industrial Dr. • P.O. Box L
 Elkhart Lake, WI 53020
 Phone: (920) 876-3391
 Fax: (920) 876-3065
 Website: www.kees.com

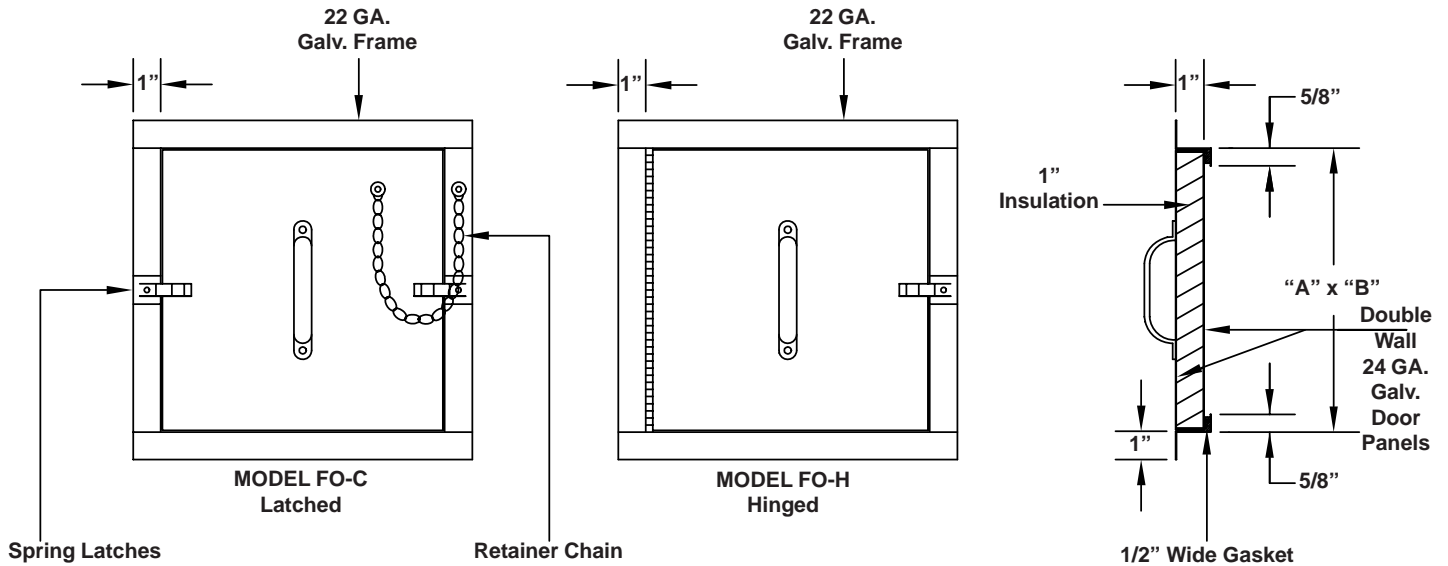


DUCT ACCESS DOORS

Models FO-C and FO-H

Opens Out From Duct - For Use In Negative Pressure Ducts

NOTE: NOT INTENDED FOR USE AS A PRESSURE RELIEF DOOR.



STANDARD SIZES

Quantity		SIZE	Dim. A Width	Dim. B Height	Duct Opening	No. of Latches	
FO-C	FO-H					FO-C	FO-H
		6" x 6"	6"	6"	6-1/8" x 6-1/8"	2	1
		8" x 8"	8"	8"	8-1/8" x 8-1/8"	2	1
		10" x 10"	10"	10"	10-1/8" x 10-1/8"	2	1
		12" x 12"	12"	12"	12-1/8" x 12-1/8"	2	1
		12" x 18"	12"	18"	12-1/8" x 18-1/8"	2	1
		14" x 14"	14"	14"	14-1/8" x 14-1/8"	2	1
		16" x 16"	16"	16"	16-1/8" x 16-1/8"	4	2
		18" x 18"	18"	18"	18-1/8" x 18-1/8"	4	2
		24" x 24"	24"	24"	24-1/8" x 24-1/8"	4	2

To maintain KEES' policy of continuous product improvement, we reserve the right to change prices, specifications, ratings or dimensions without notice or obligation.

Project		Location	
Engineer			
Architect		Dwg. No.	SD-ADFO
Contractor		Date	04/02

KEES INCORPORATED
 400 S. Industrial Dr. • P.O. Box L
 Elkhart Lake, WI 53020
 Phone: (920) 876-3391
 Fax: (920) 876-3065
 Website: www.kees.com