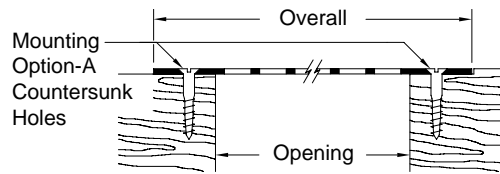
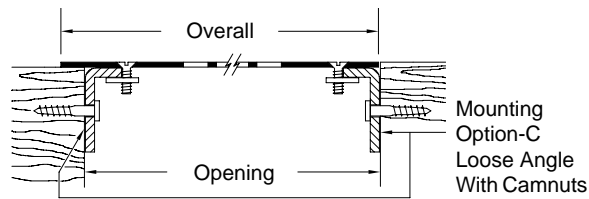


DECORATIVE STAMPED GRILLE MOUNTING OPTIONS



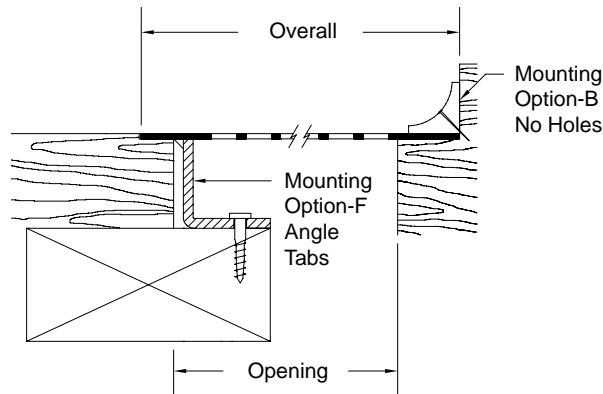
Grille surface mounted onto mounting surface.

Grille flush mounted into recess in mounting surface.



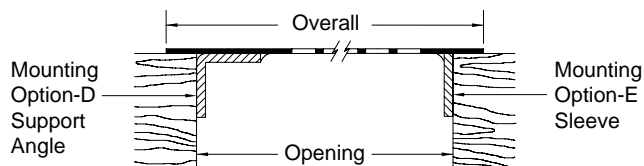
Grille surface mounted to loose angle frame. Fasteners for mounting in grate by others.

Grille flush mounted to loose angle frame. Fasteners for mounting in grate by others.



Grille with angle tabs for concealed mounting. Fasteners by others.

Grille mounted using wood molding.



Grille with integral angle for additional stiffening and support.

Grille with sleeve for additional stiffening and support.



KEES INCORPORATED
400 S. Industrial Dr. • P.O. Box L
Elkhart Lake, WI 53020

Phone: (920) 876-3391
Fax: (920) 876-3065
Website: www.kees.com